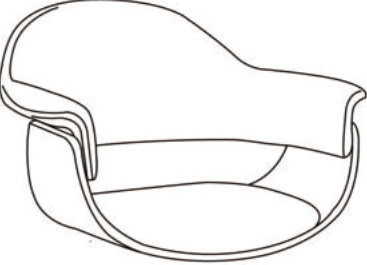

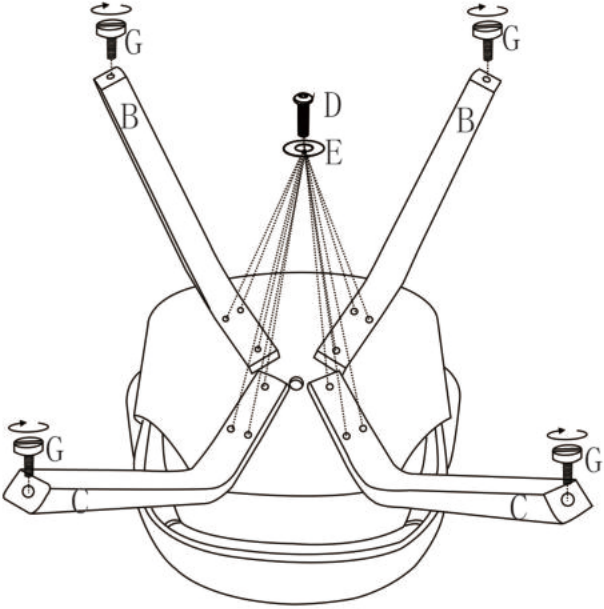



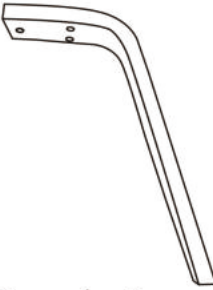




# ASSEMBLY INSTRUCTION

## SDM-2343-4 / ADALYN CHAIR

|  |  |   |  |
|--|--|---|--|
| <p>Ax1</p>  <p>Ex12+1<u>EXTRA</u></p>  <p>6*18*1.2mm</p>  |  |  |  |
| <p>Bx2</p>  <p>Front Leg</p> <p>Fx1</p>                  |  |   |  |
| <p>Cx2</p>  <p>Back Leg</p> <p>Gx4+1<u>EXTRA</u></p>  |  |   |  |
| <p>Dx12+1<u>EXTRA</u></p>  <p>M6*40mm</p>   |  |   |  |