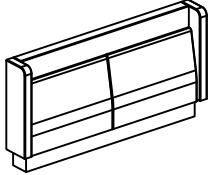

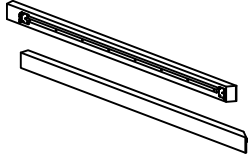
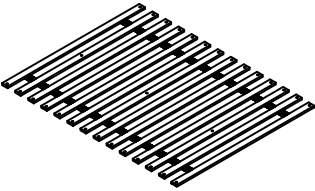
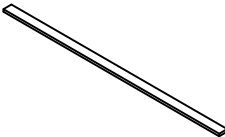
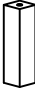




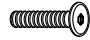




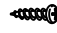




Product Assembly Instructions
LCLEBDCHKGBX1 / LCLEBDCHKGBX2

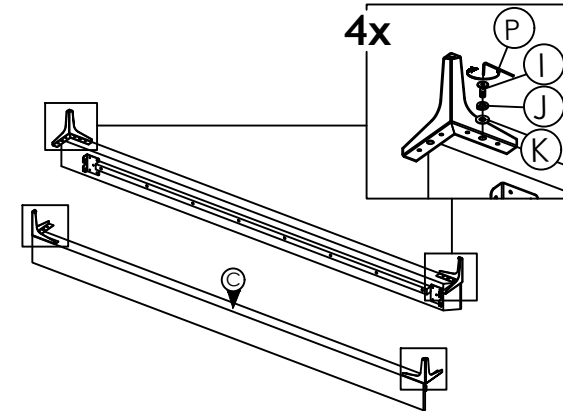
PART LIST

 A: HEADBOARD x1	 B: FOOTBOARD x1	 C: SIDE RAIL (L & R) x2
 D: SLAT x14	 E: CENTER SLAT x1	 F: CENTER SLAT SUPPORT x3

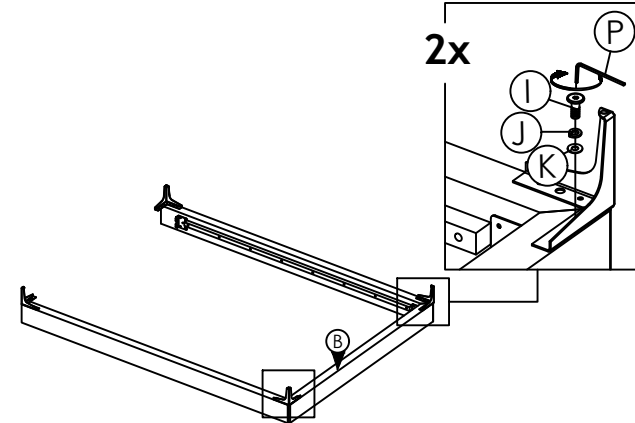
HARDWARE LIST

 G: JCBB SCREW M8 x 16MM x8	 H: ALLEN KEY M5 (SHORT) x1	 I: JCBC SCREW M6 x 20MM (BLK) x8
 J: SPRING WASHER 1/4" (BLK) x8	 K: FLAT WASHER 1/4" (BLK) x8	 L: JCBC SCREW M6 x 50MM x3
 M: SPRING WASHER 1/4" x3	 N: PAN HEAD SCREW M4 x 25MM x28	 O: ADJUSTABLE SCREW x3
 P: ALLEN KEY M4 (BALL SHAPE) x1		

STEP 1



STEP 2



STEP 3

