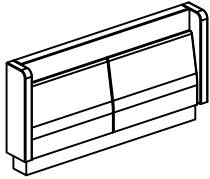

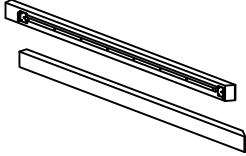
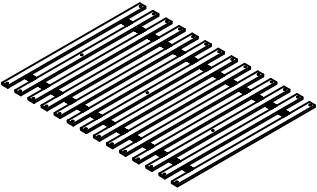
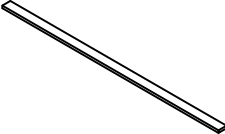







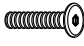







# Product Assembly Instructions

## LCLEBDCHQNBX1 / LCLEBDCHQNBX2

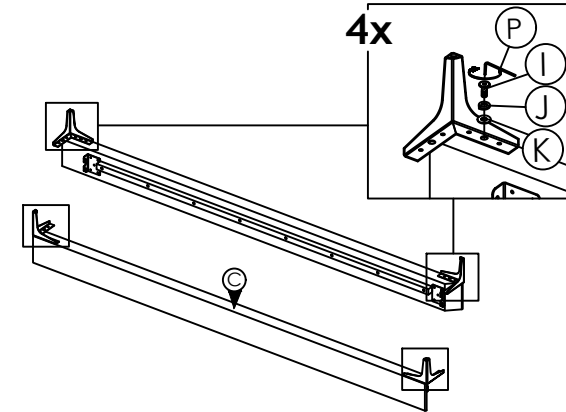
### PART LIST

 <p>A : HEADBOARD x1</p>	 <p>B : FOOTBOARD x1</p>	 <p>C : SIDE RAIL (L &amp; R) x2</p>
 <p>D : SLAT x14</p>	 <p>E : CENTER SLAT x1</p>	 <p>F : CENTER SLAT SUPPORT x3</p>

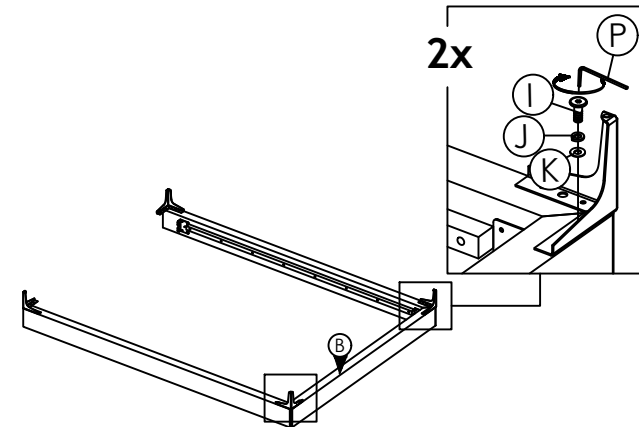
### HARDWARE LIST

 <p>G : JCBB SCREW M8 x 16MM x8</p>	 <p>H : ALLEN KEY M5 (SHORT) x1</p>	 <p>I : JCBC SCREW M6 x 20MM (BLK) x8</p>
 <p>J : SPRING WASHER 1/4" (BLK) x8</p>	 <p>K : FLAT WASHER 1/4" (BLK) x8</p>	 <p>L : JCBC SCREW M6 x 50MM x3</p>
 <p>M : SPRING WASHER 1/4" x3</p>	 <p>N : PAN HEAD SCREW M4 x 25MM x28</p>	 <p>O : ADJUSTABLE SCREW x3</p>
 <p>P : ALLEN KEY M4 ( BALL SHAPE ) x1</p>		

### STEP 1



### STEP 2



### STEP 3

