



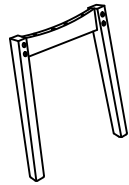
# Product Assembly Instructions

## LCVRSIGRBL

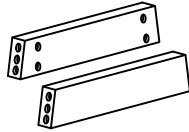
### PART LIST



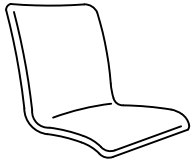
A : BACK LEG x1



B : FRONT LEG x1



C : RAILS (R & L) x2



D : L SHAPE CUSHION SEAT x1

### HARDWARE LIST



E : JCBC SCREW M6 x 60MM (BLK) x4



F : JCBC SCREW M6 x 80MM(BLK) x4



G : SPRING WASHER 1/4" (BLK) x8



H : BARREL NUT M6 x 13MM x8



I : ALLEN KEY M4 ( BALL SHAPE ) x1



J : PAN HEAD WOOD SCREW M5 X 32MM x6

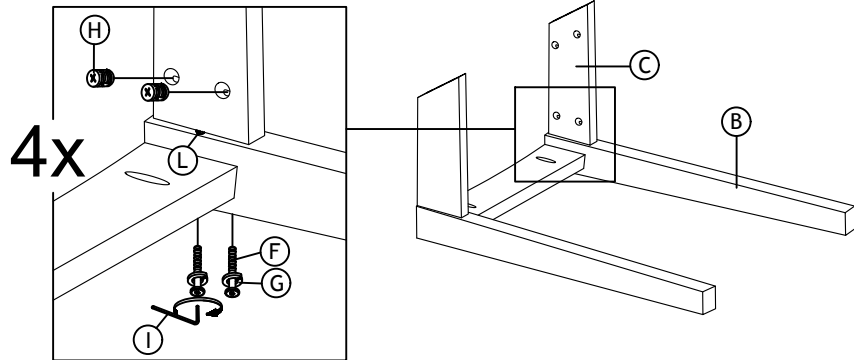


K : WOOD DOWEL DIA 8 x 25MM x2

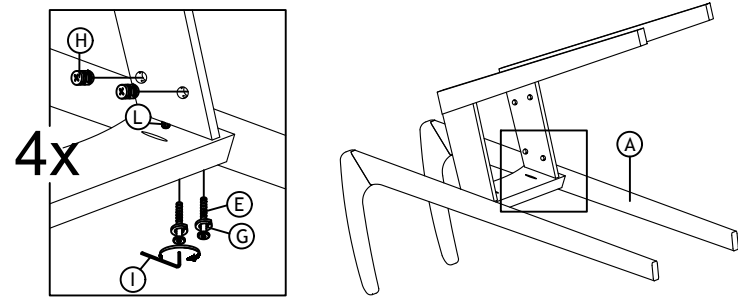


L : WOOD DOWEL DIA 8 x 35MM x4

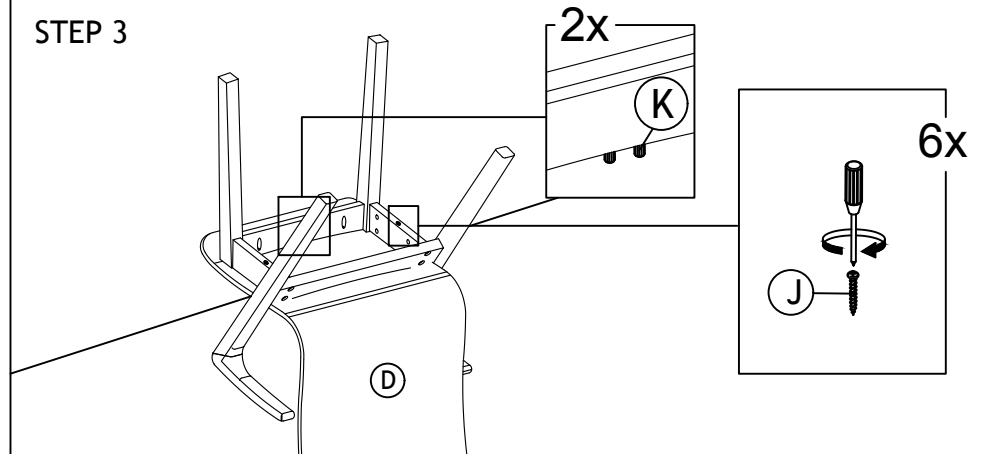
### STEP 1



### STEP 2



### STEP 3



### STEP 4



ASSEMBLY COMPLETED