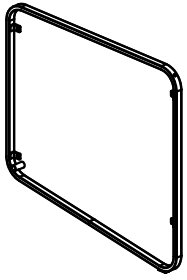
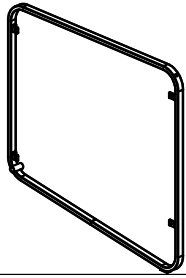


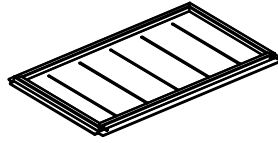
## LCPDCADK



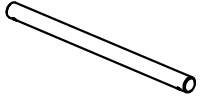
A: Leg frame x1



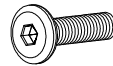
B: Leg frame x1



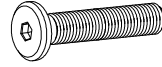
C: Support frame x2



D: Support frame x1



E: Bolt M6\*20mm x8



F: Bolt M6\*30mm x2



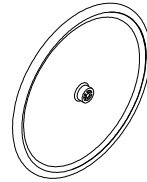
G: Bolt M8\*57mm x2



H: Washer x2



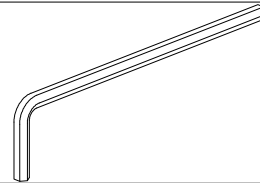
I: Washer x2



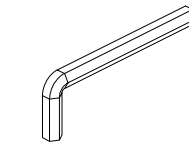
J: Wheel x2



K: Bearing x2

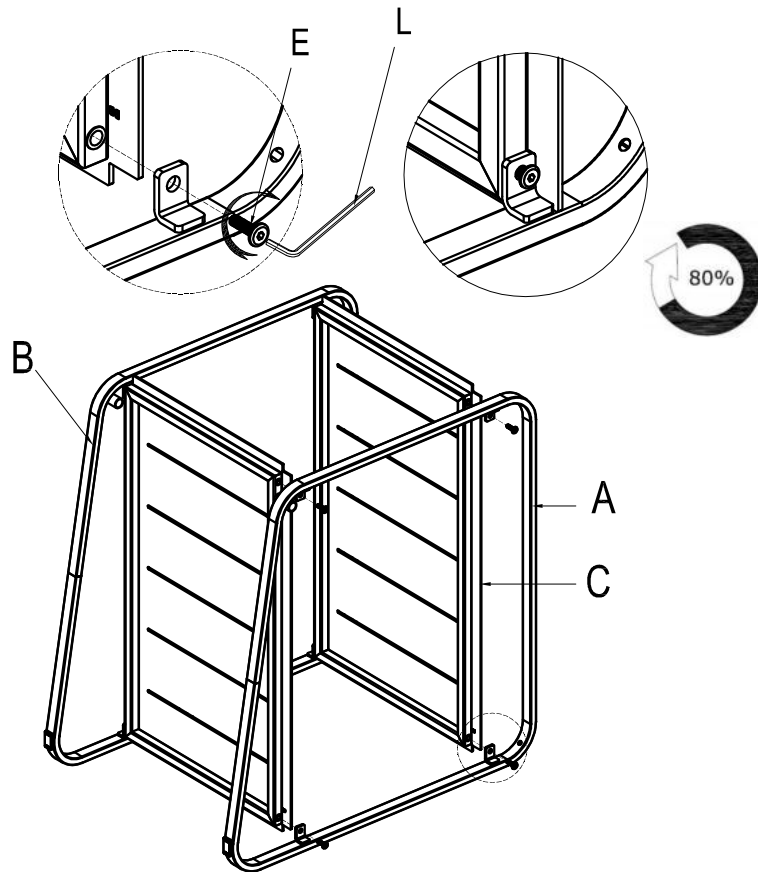


L: Allen Key x1

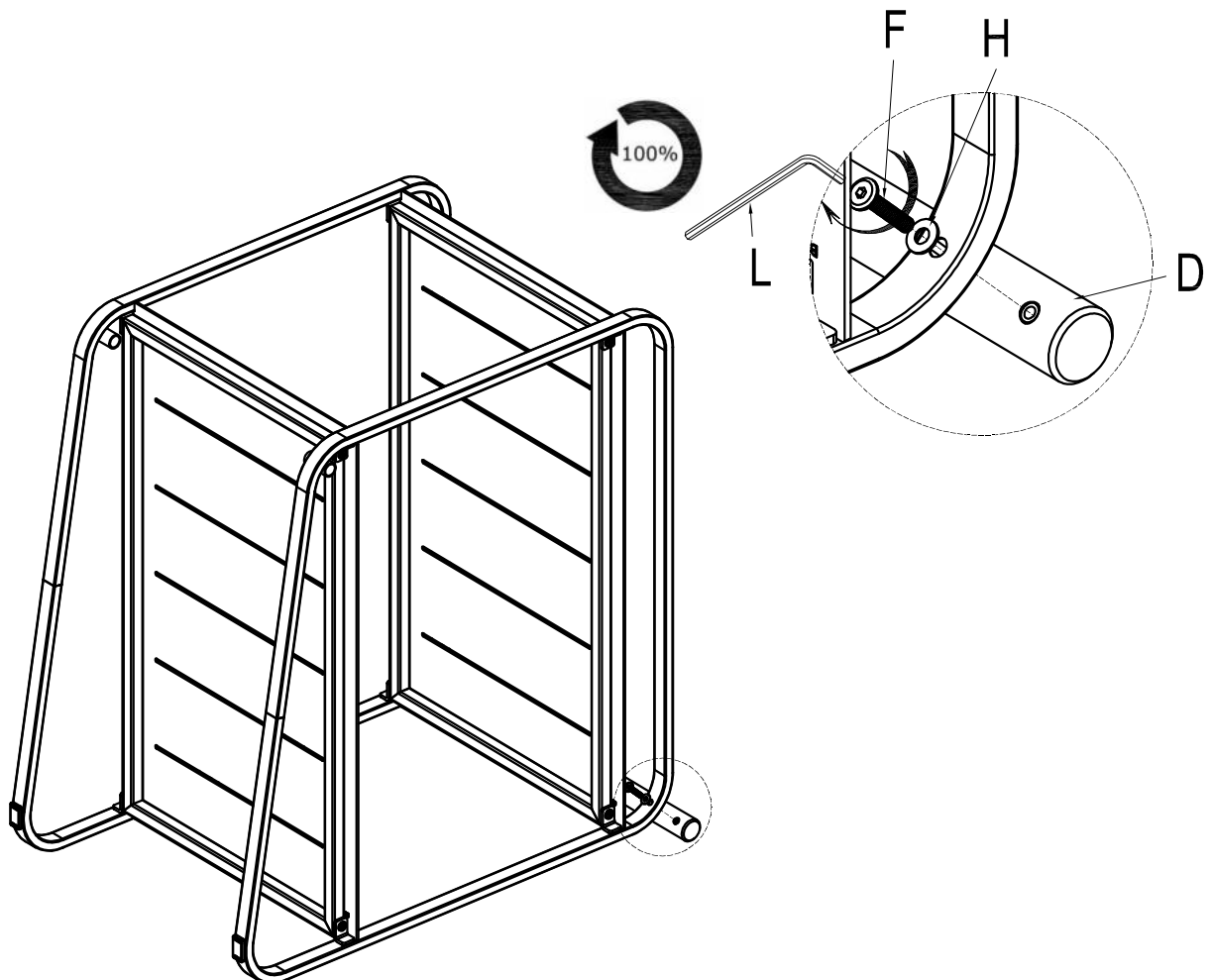


M: Allen Key x1

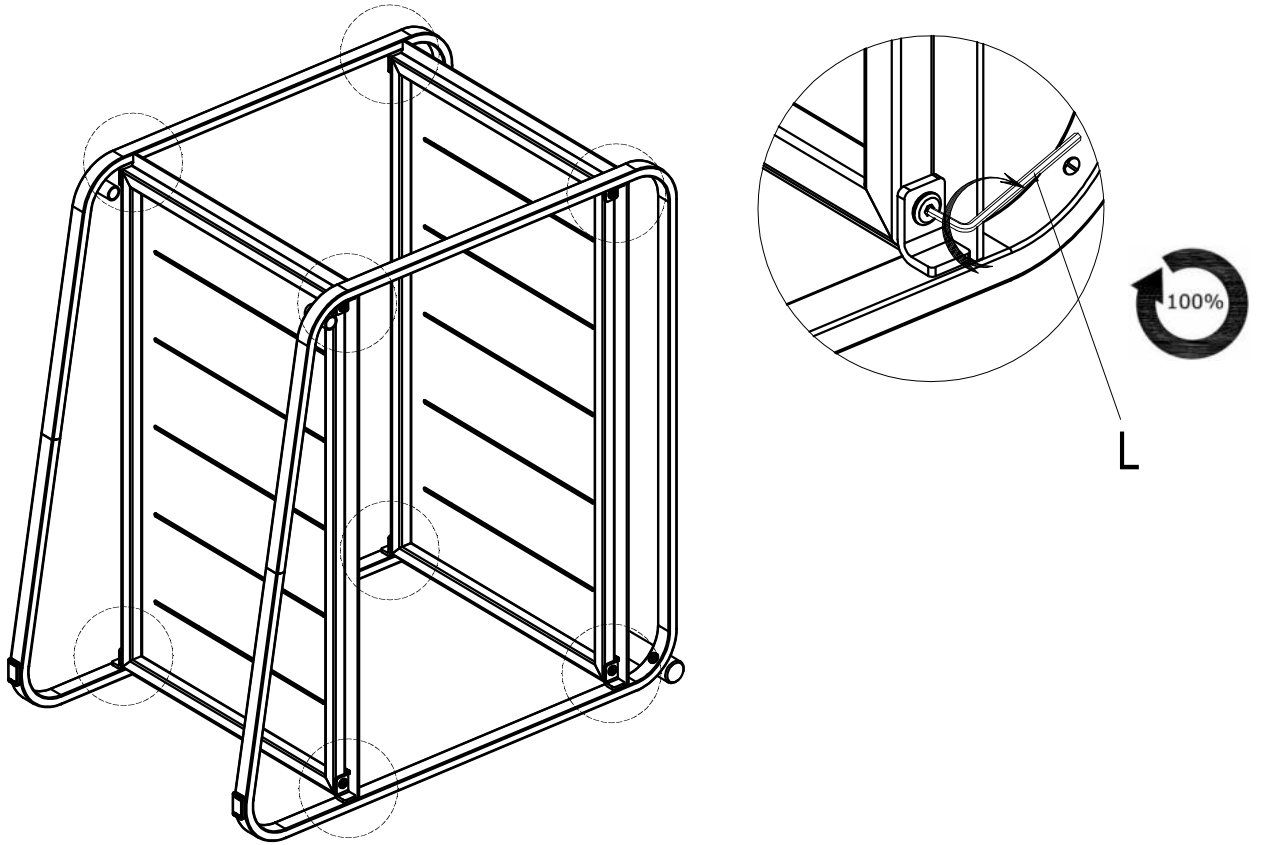
STEP 1



STEP 2



STEP 3



STEP 4

