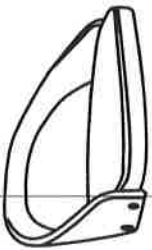
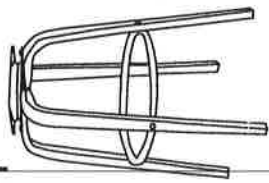


AX1



Bx1



Cx4+1EXT

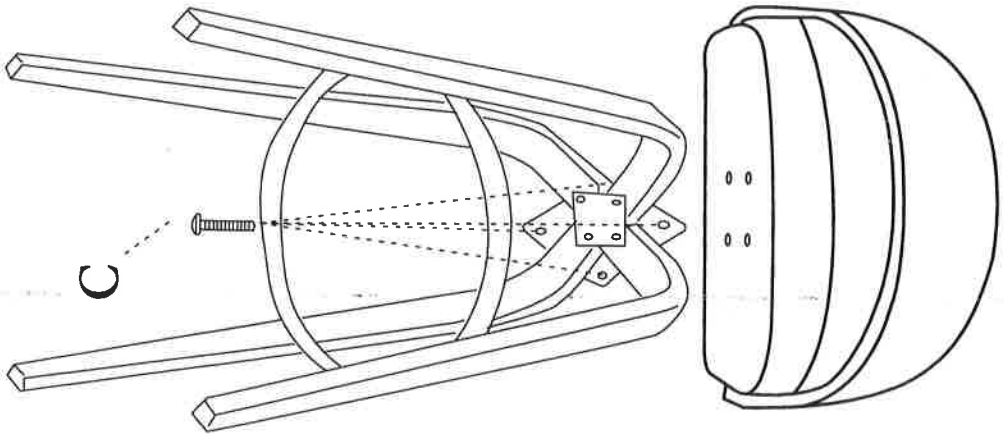


6x20mm

Dx1



1



C

2

