


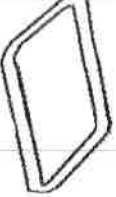

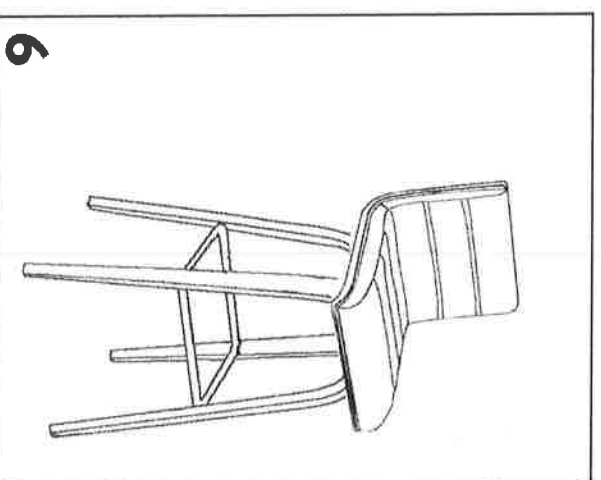
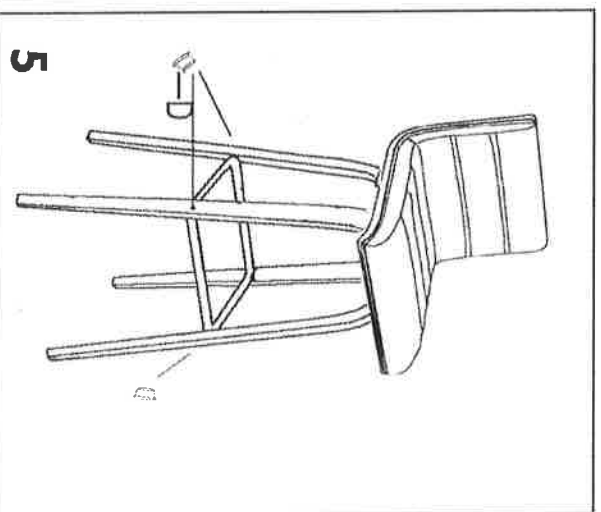
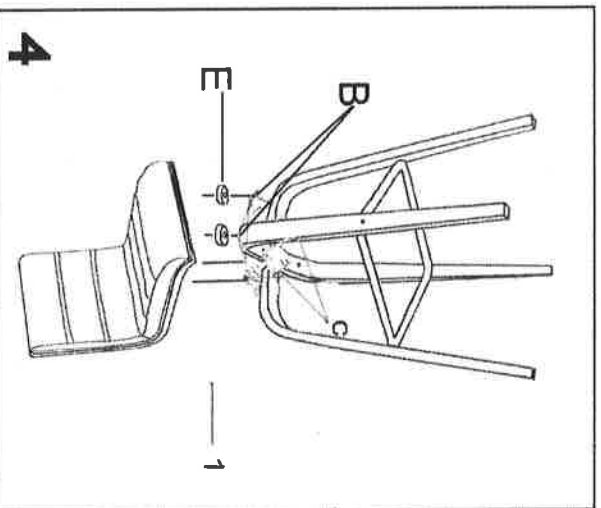
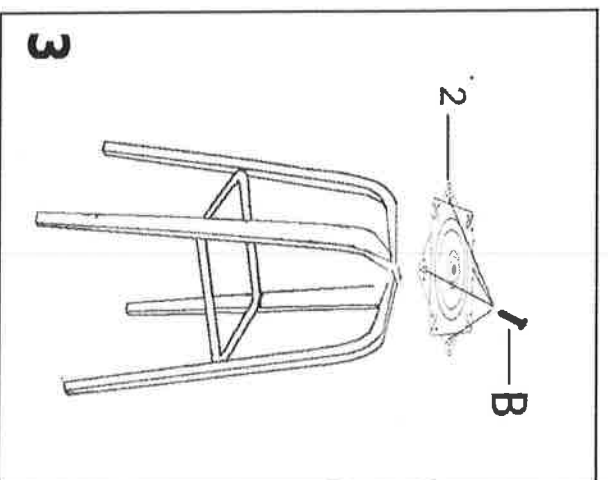
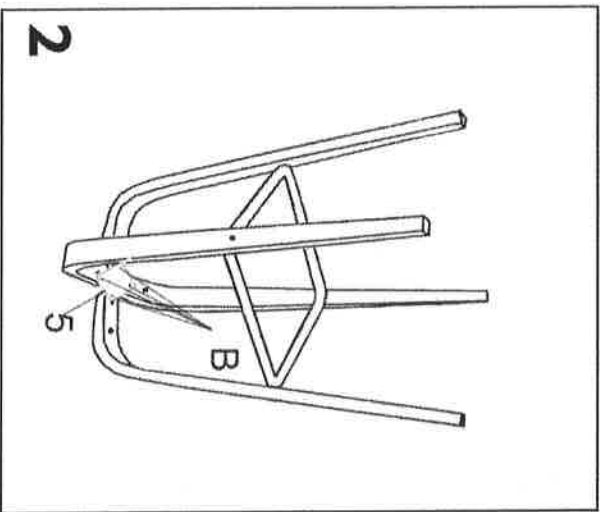
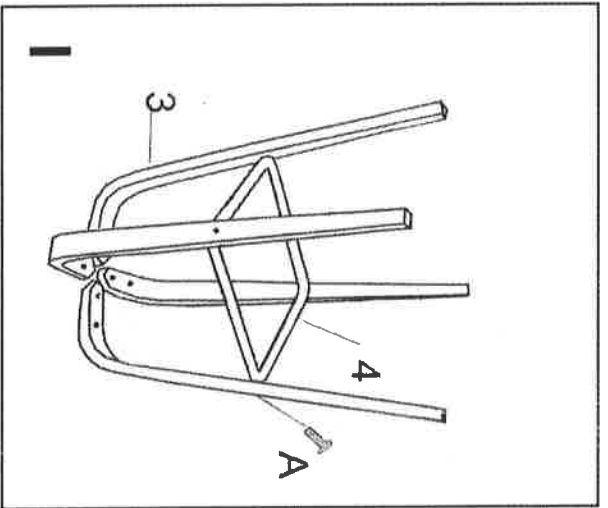


x1		Ax4 +1EXT M6x22
x1		Bx10 +1EXT M6x20
x4		Cx2 +1EXT M6x16 Dx4
x1		EX2 20x8x5
x1		Gx1



Noted: 1. Lightly tighten the screws indicate on step 1 & step 2 & step 3.

2. Tighten ALL screws on step 4, then insert All 4 (D) caps to finish on step 5.

3. Make certain that ALL screws are FULLY tightened before using the chair.