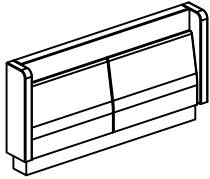

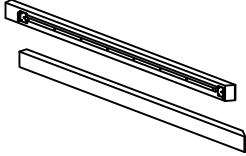
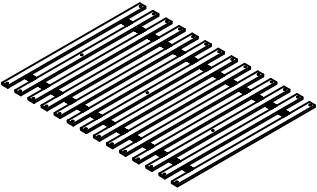
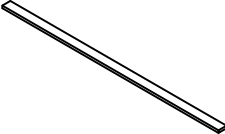







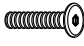







Product Assembly Instructions

LCLEBDCHQNBX1 / LCLEBDCHQNBX2

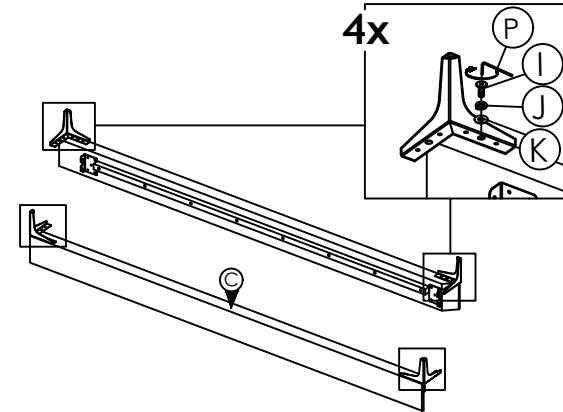
PART LIST

| | | |
|---|---|--|
|  <p>A : HEADBOARD x1</p> |  <p>B : FOOTBOARD x1</p> |  <p>C : SIDE RAIL (L & R) x2</p> |
|  <p>D : SLAT x14</p> |  <p>E : CENTER SLAT x1</p> |  <p>F : CENTER SLAT SUPPORT x3</p> |

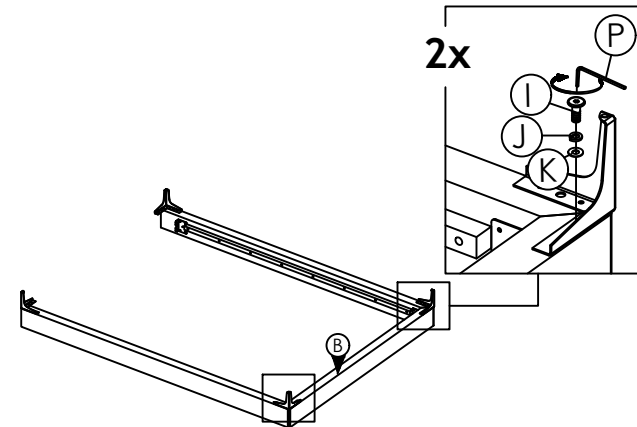
HARDWARE LIST

| | | |
|---|---|--|
|  <p>G : JCBB SCREW M8 x 16MM x8</p> |  <p>H : ALLEN KEY M5 (SHORT) x1</p> |  <p>I : JCBC SCREW M6 x 20MM (BLK) x8</p> |
|  <p>J : SPRING WASHER 1/4" (BLK) x8</p> |  <p>K : FLAT WASHER 1/4" (BLK) x8</p> |  <p>L : JCBC SCREW M6 x 50MM x3</p> |
|  <p>M : SPRING WASHER 1/4" x3</p> |  <p>N : PAN HEAD SCREW M4 x 25MM x28</p> |  <p>O : ADJUSTABLE SCREW x3</p> |
|  <p>P : ALLEN KEY M4 (BALL SHAPE) x1</p> | | |

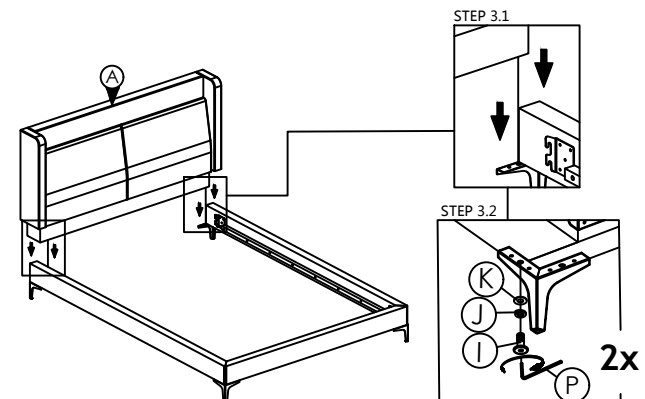
STEP 1



STEP 2



STEP 3

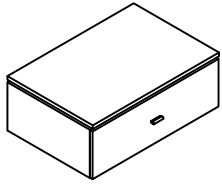




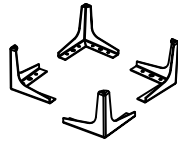
Product Assembly Instructions

LCLELABL

PART LIST



A : NIGHT STAND x1



B : METAL LEG x4

HARDWARE LIST



C : JCBC SCREW M6 x 20MM(BLK) x8



D : SPRING WASHER 1/4"(BLK) x8

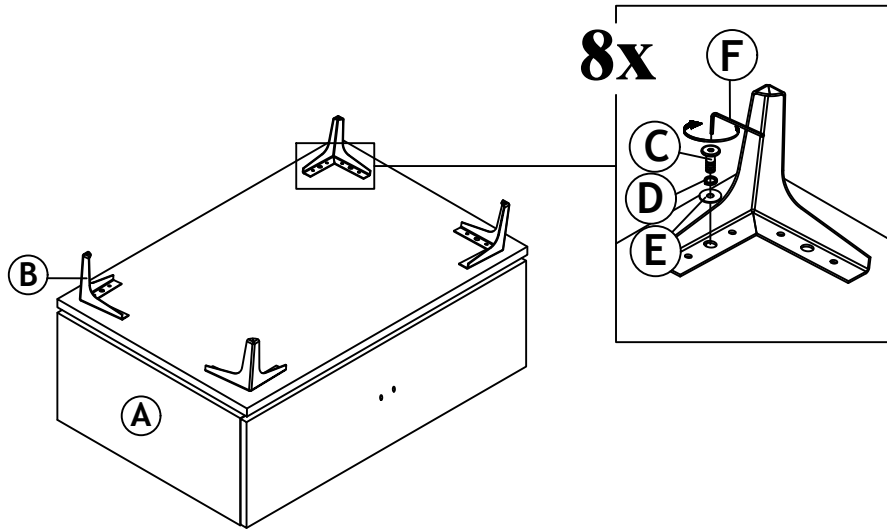


E : FLAT WASHER 1/4"(BLK) x8

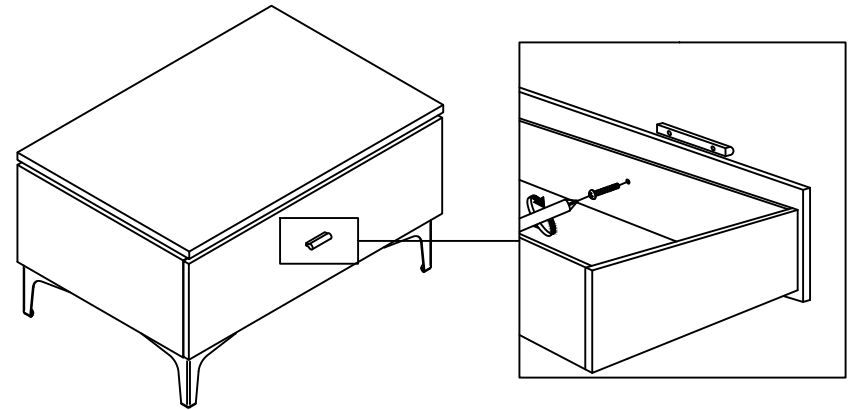


F : ALLEN KEY M4 (BALL SHAPE) x1

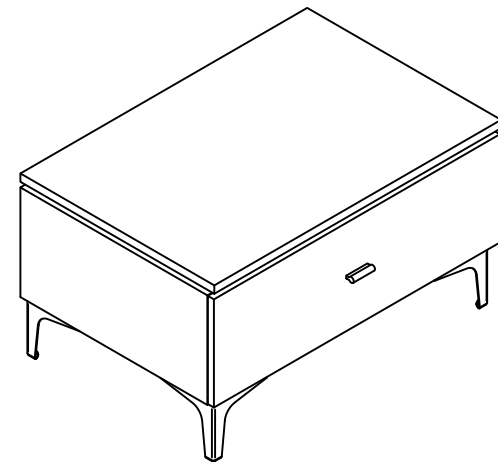
STEP 1



STEP 2



STEP 3



ASSEMBLY COMPLETED