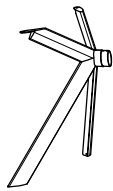
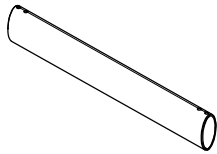


JA7225 ASSEMBLY INSTRUCTION



A × 2pcs



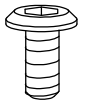
B × 1pc



C × 1pc



D × 4pcs
M8*16mm



E × 4pcs
M8*12mm



F × 4pcs
φ20*φ10*2

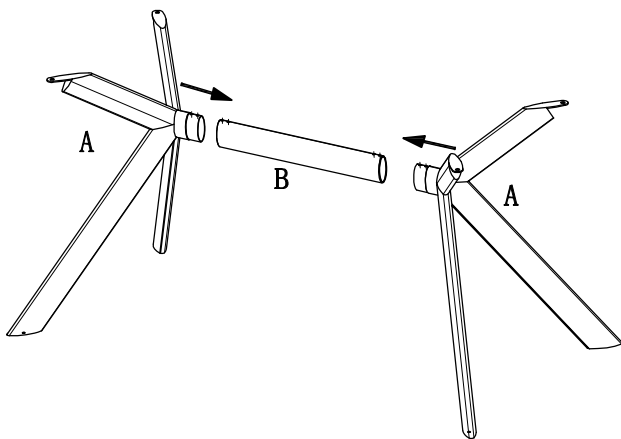


G × 1pc
#6

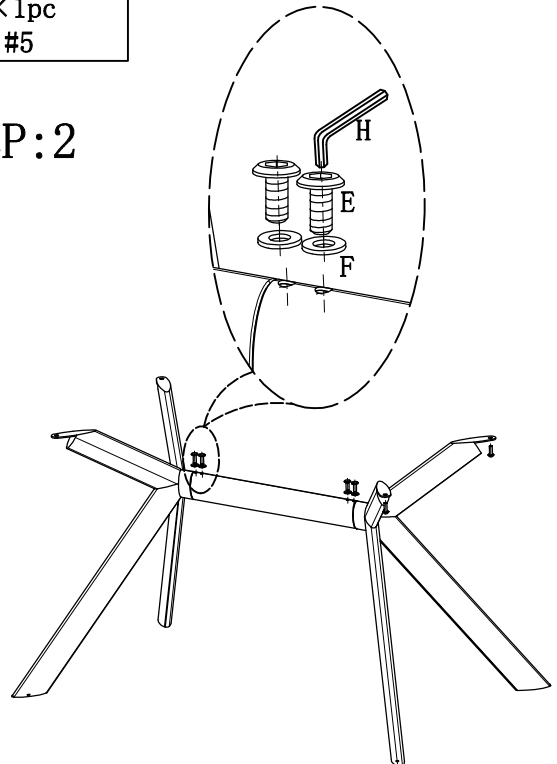


H × 1pc
#5

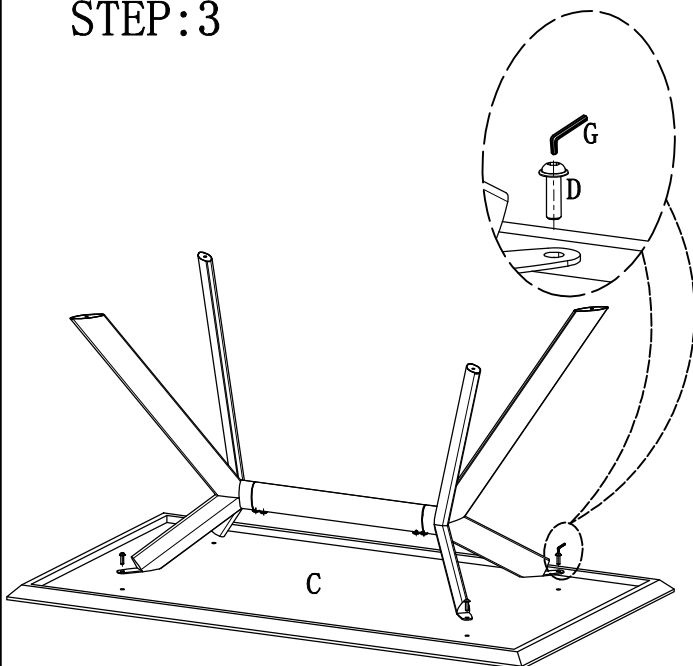
STEP: 1



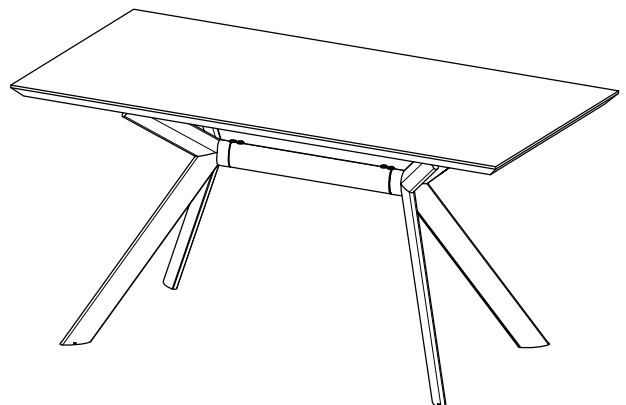
STEP: 2



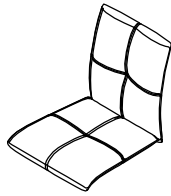
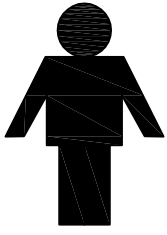
STEP: 3



STEP: 4



JD7558-2 ASSEMBLY INSTRUCTION



① × 1



② × 1



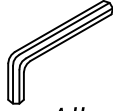
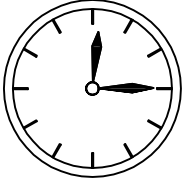
M6 × 30

③ × 4



$\phi 16 / \phi 6$

④ × 4



4#

⑤ × 1

