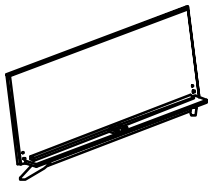

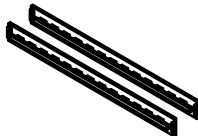
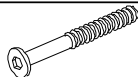



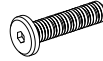
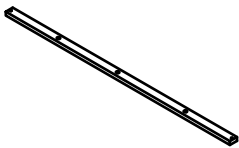




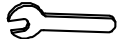

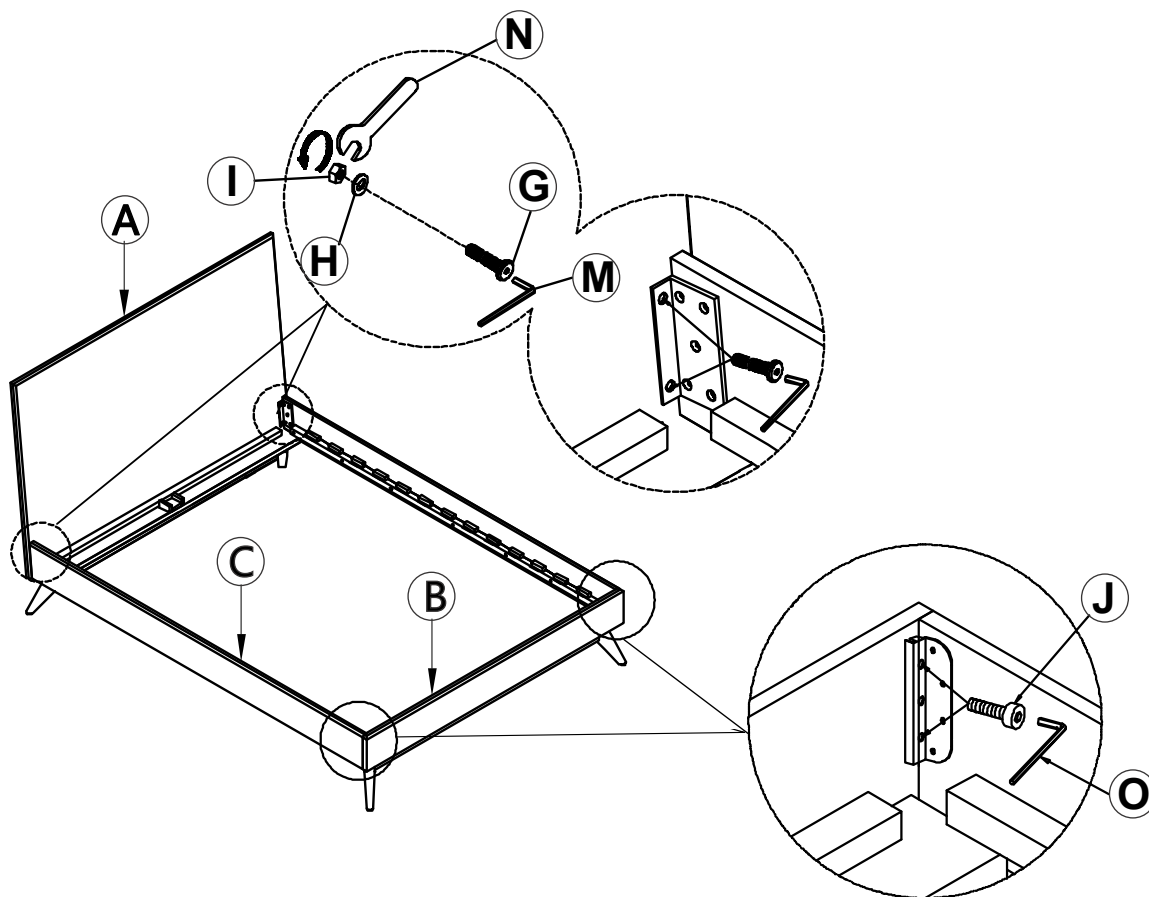


# Product Assembly Instructions

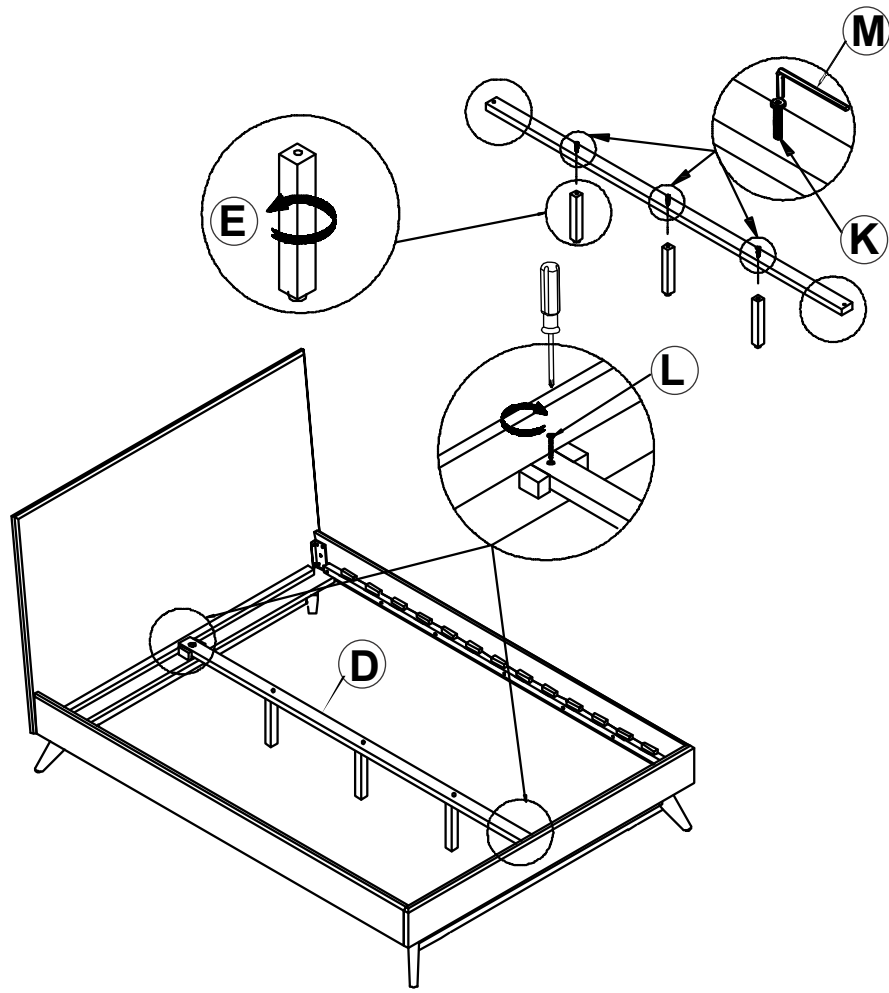
## LOFT-KB200

 <p><b>A:</b> Headboard x1</p>	 <p><b>B:</b> Footboard x1</p>	 <p><b>C:</b> Side Rall (L+R) x2</p>	 <p><b>G:</b> Bolt M8*40mm x4</p>
			 <p><b>H:</b> Washer x4</p>
			 <p><b>I:</b> Screw nut M8 x4</p>
			 <p><b>J:</b> Bolt M6*10mm x4</p>
			 <p><b>K:</b> Bolt M6*60mm x3</p>
 <p><b>D:</b> Middle Rall x1</p>	 <p><b>E:</b> Center Leg x3</p>	 <p><b>F:</b> Slat Frame x 14</p>	 <p><b>L:</b> Screw M4*30mmx30</p>
			 <p><b>M:</b> Allen key M4 x1</p>
			 <p><b>N:</b> Wrench x1</p>
			 <p><b>O:</b> Allen key M5 x1</p>

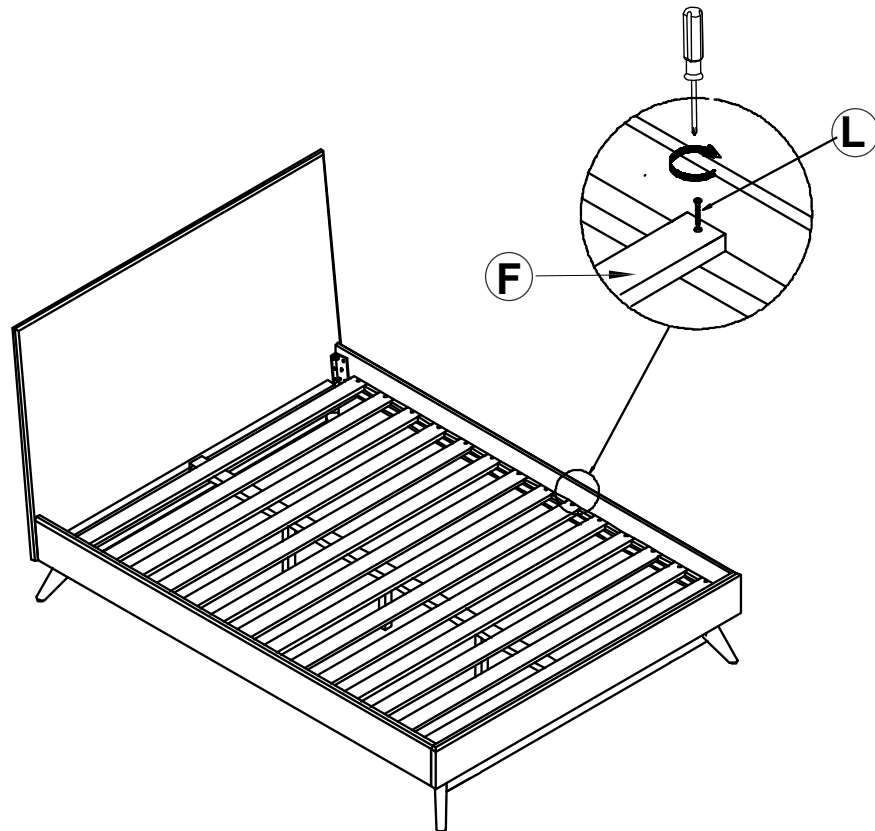
### STEP 1



## STEP 2

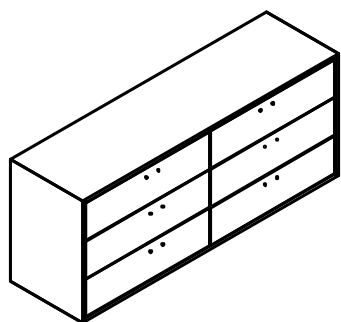


## STEP 3

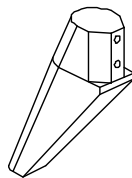


# Product Assembly Instructions

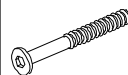
## LOFT-CH 160



A: Chest x1



B: Leg x4



C: Bolt M6\*60mm x8



D: Washer x8



E: Allen key x1

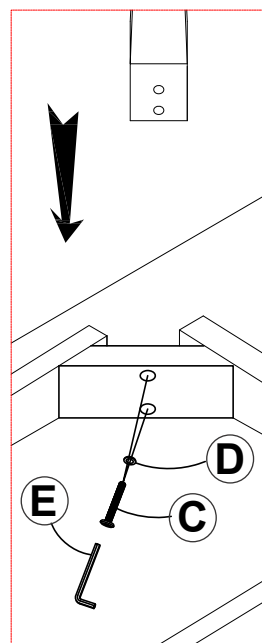
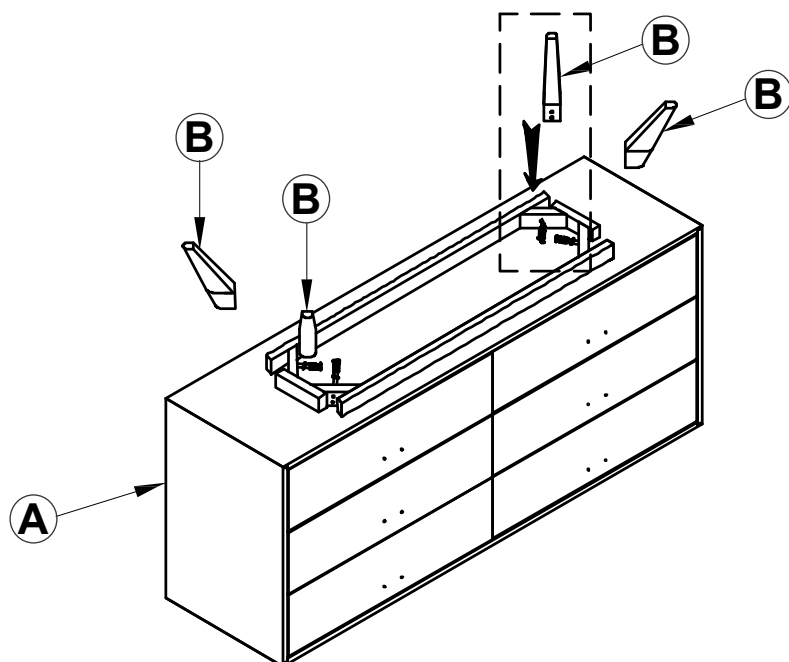


F: Handle x6

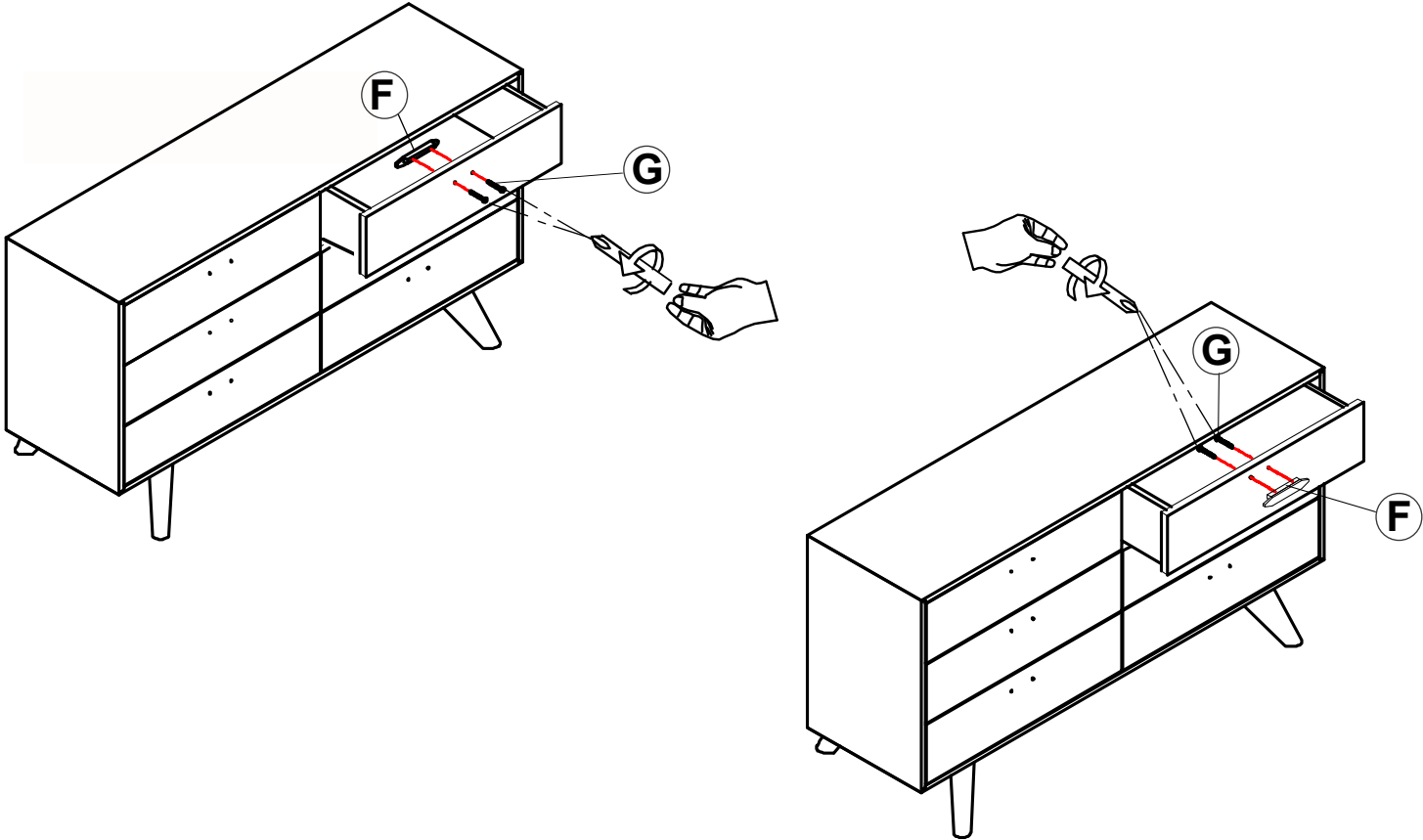


G: Screw M4\*15mmx12

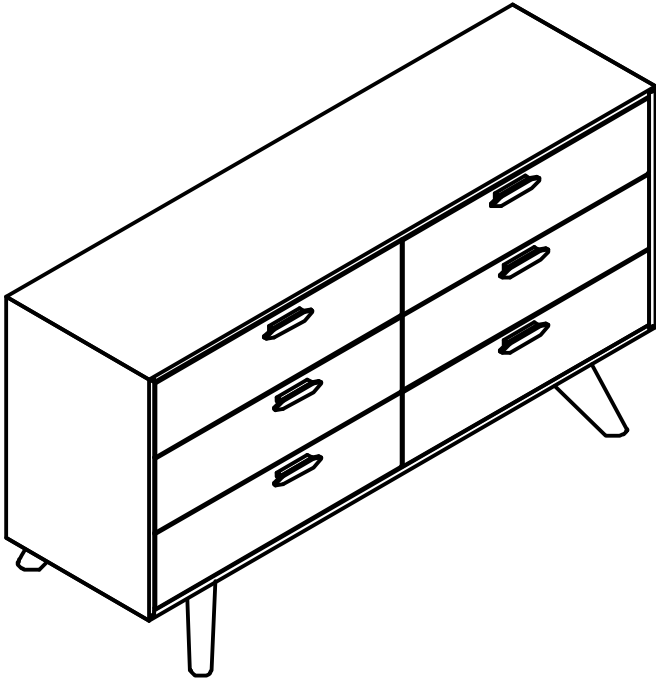
### STEP 1



**STEP 2**

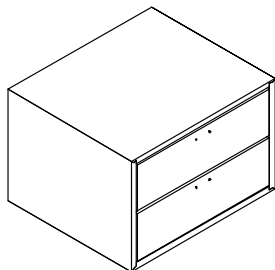


**STEP 3**

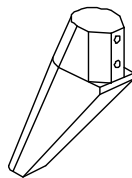


# Product Assembly Instructions

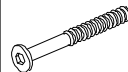
## LOFT-NS60



**A:** Chest x1



**B:** Leg x4



**C:** Bolt M6\*60mm x8



**D:** Washer x8



**E:** Allen key x1

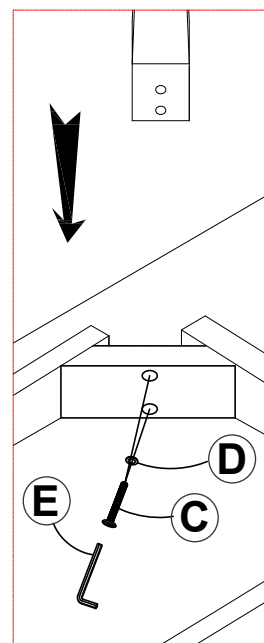
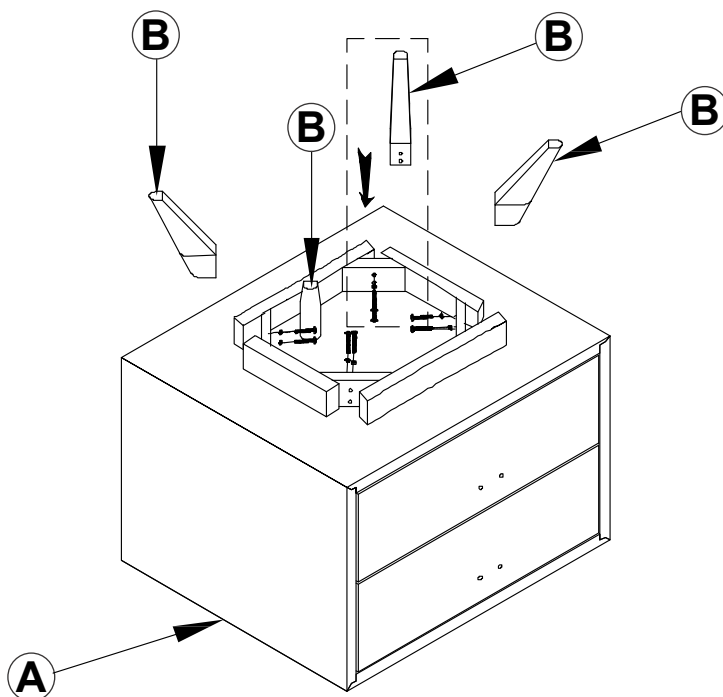


**F:** Handle x2

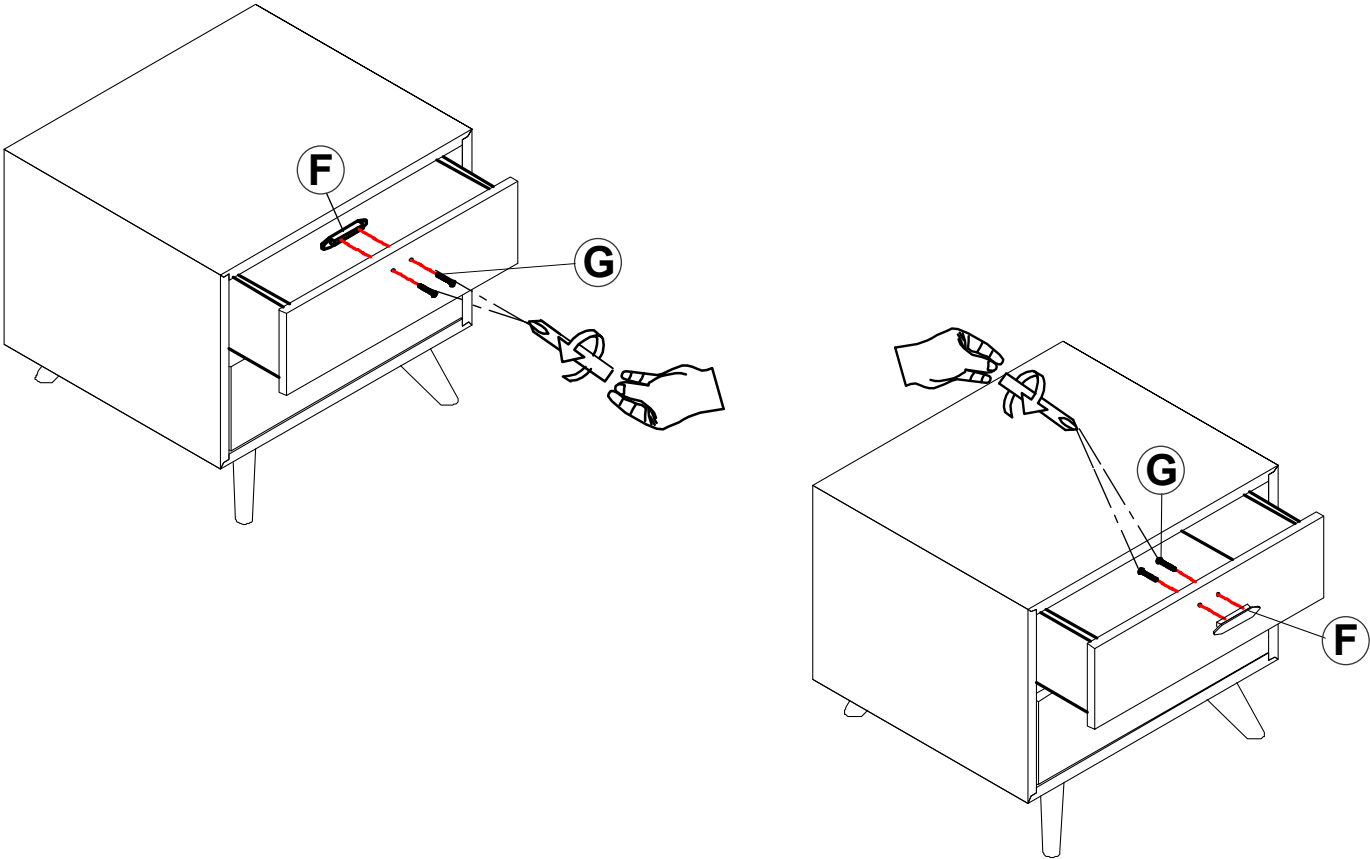


**G:** Screw M4\*15mm x4

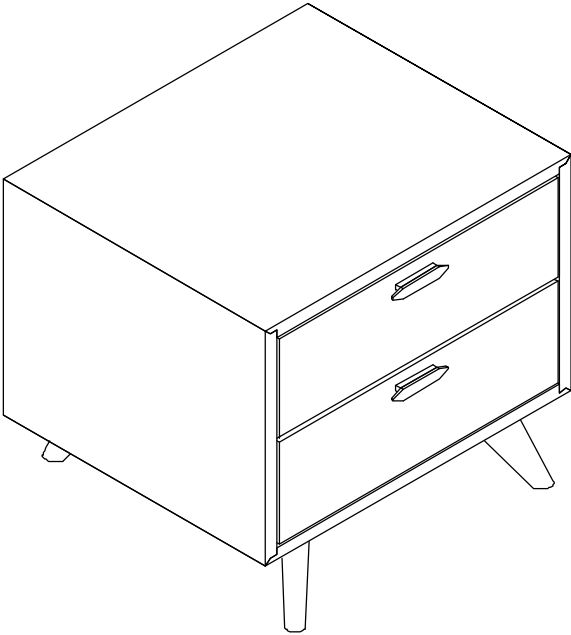
### STEP 1



**STEP 2**

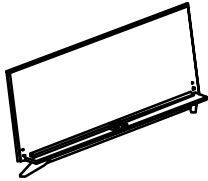

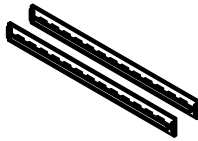
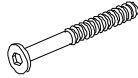



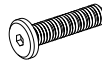
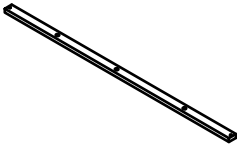




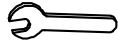



**STEP 3**

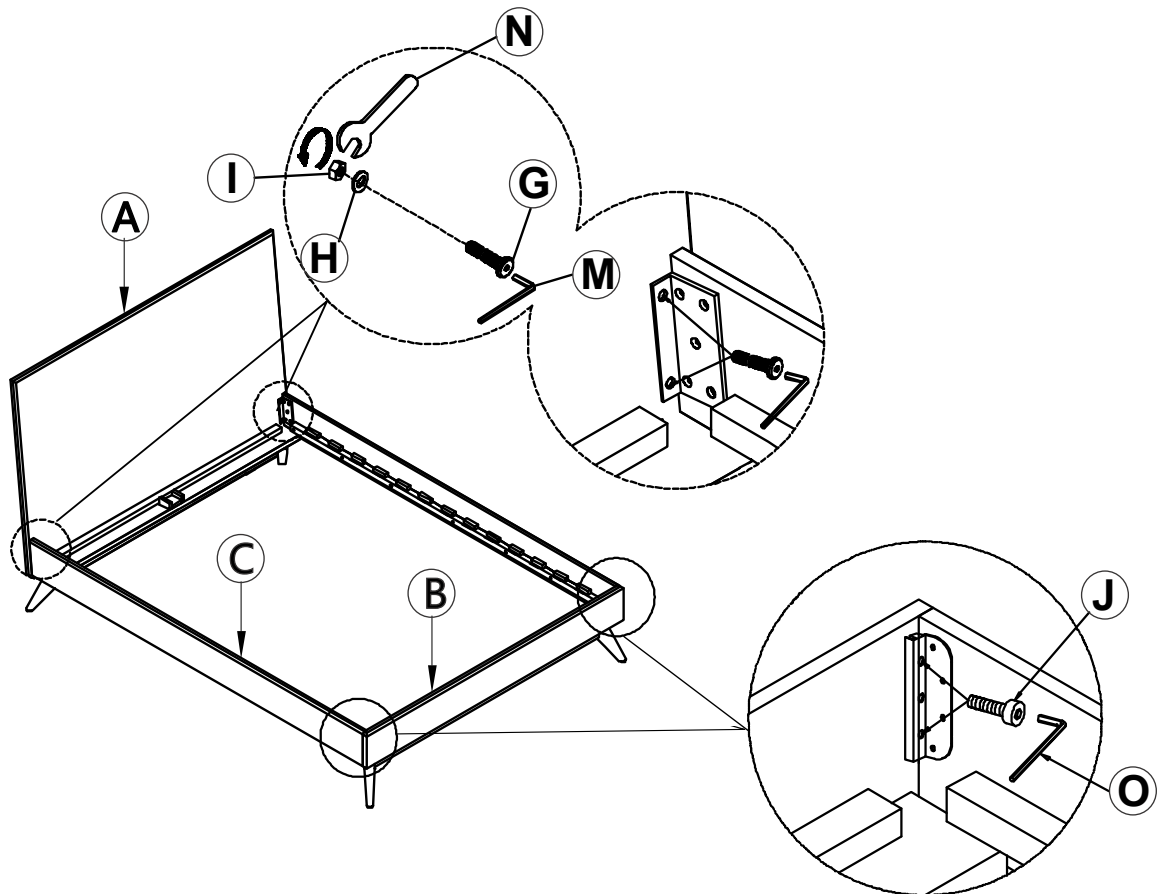


# Product Assembly Instructions

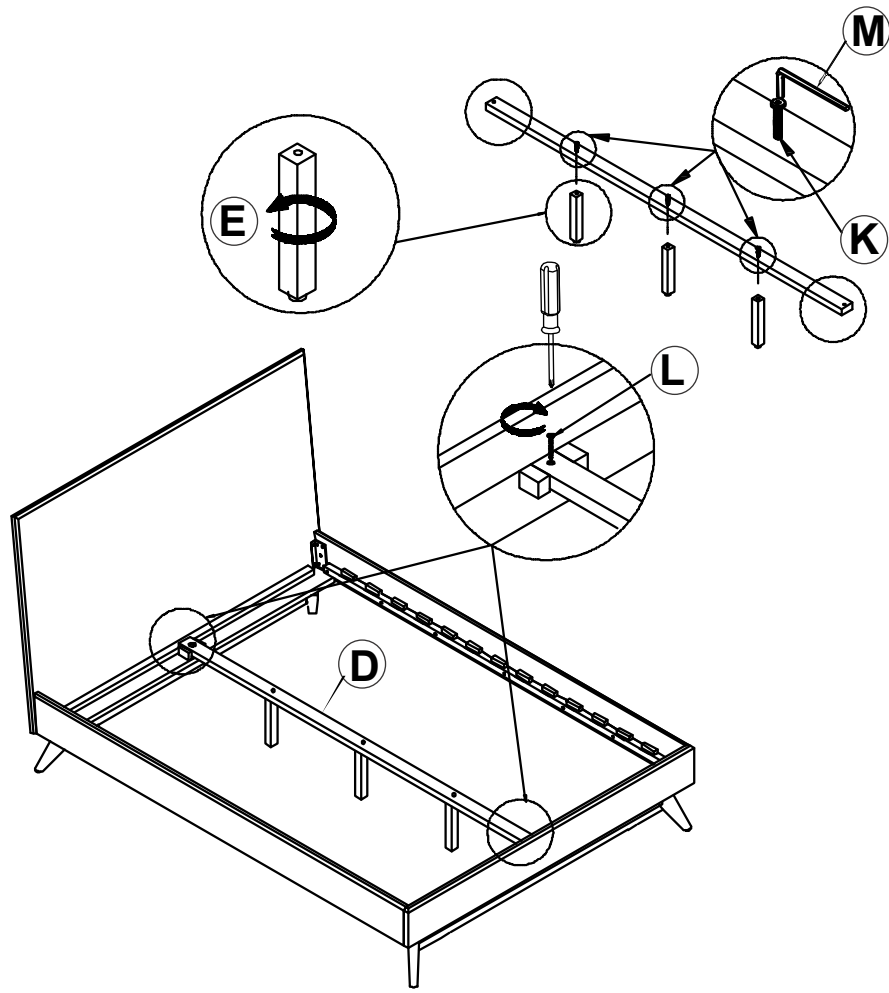
## LOFT-QB161

 <p><b>A:</b> Headboard x1</p>	 <p><b>B:</b> Footboard x1</p>	 <p><b>C:</b> Side Rall (L+R) x2</p>	 <p><b>G:</b> Bolt M8*40mm x4</p>
			 <p><b>H:</b> Washer x4</p>
			 <p><b>I:</b> Screw nut M8 x4</p>
			 <p><b>J:</b> Bolt M6*10mm x4</p>
			 <p><b>K:</b> Bolt M6*60mm x3</p>
 <p><b>D:</b> Middle Rall x1</p>	 <p><b>E:</b> Center Leg x3</p>	 <p><b>F:</b> Slat Frame x 14</p>	 <p><b>L:</b> Screw M4*30mmx30</p>
			 <p><b>M:</b> Allen key M4 x1</p>
			 <p><b>N:</b> Wrench x1</p>
			 <p><b>O:</b> Allen key M5 x1</p>

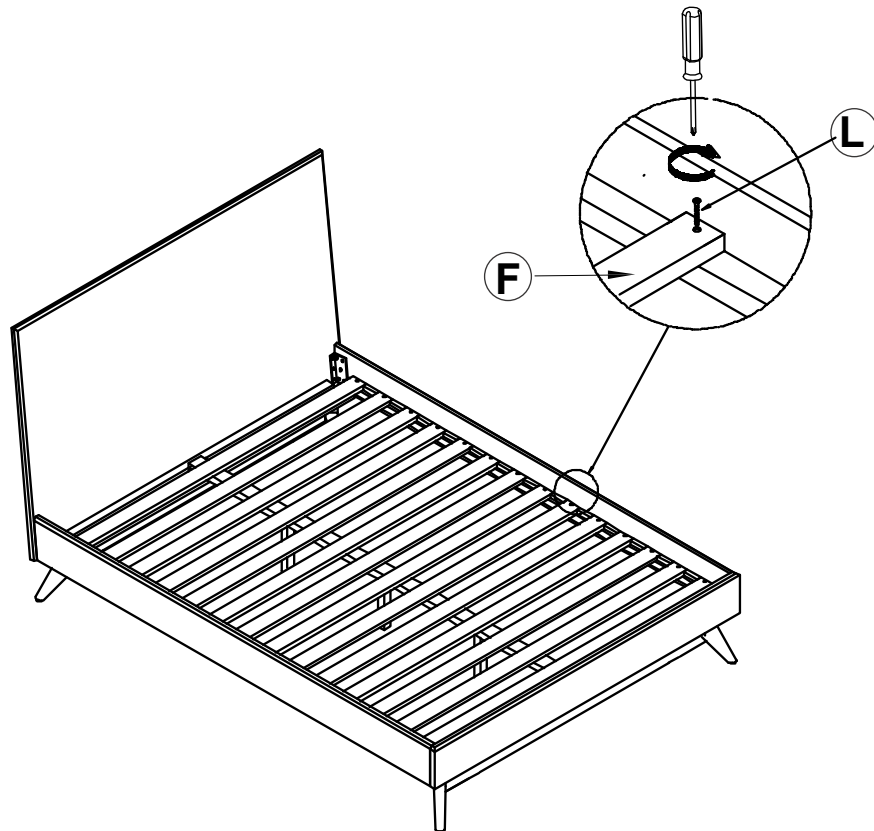
### STEP 1



## STEP 2



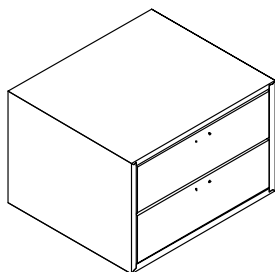
## STEP 3



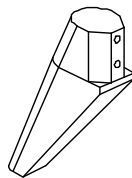


# Product Assembly Instructions

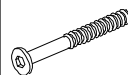
## LOFT-NS60



**A:** Chest x1



**B:** Leg x4



**C:** Bolt M6\*60mm x8



**D:** Washer x8



**E:** Allen key x1

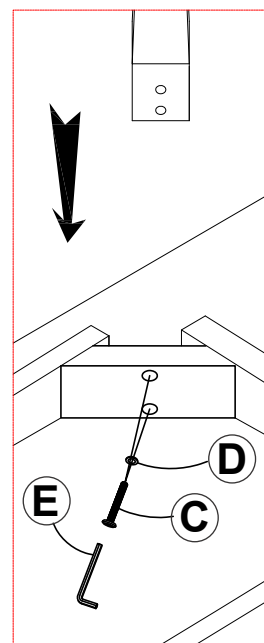
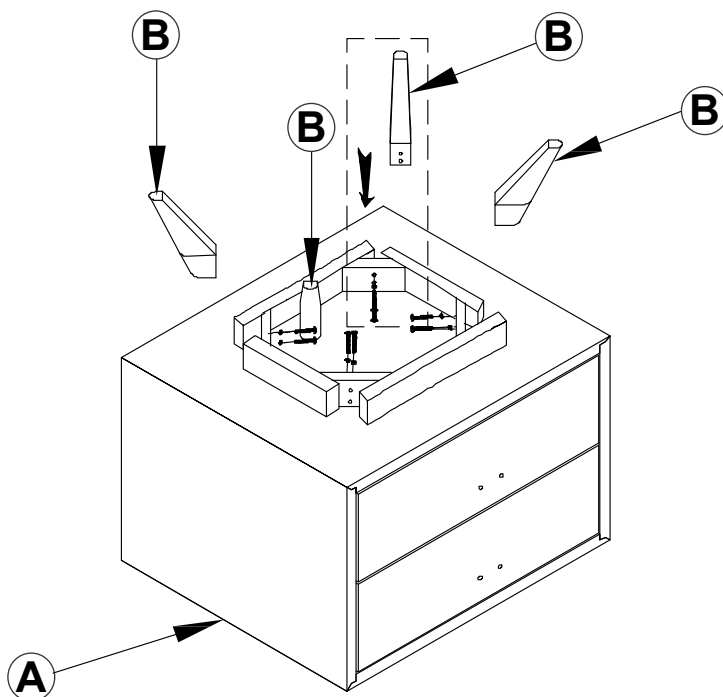


**F:** Handle x2

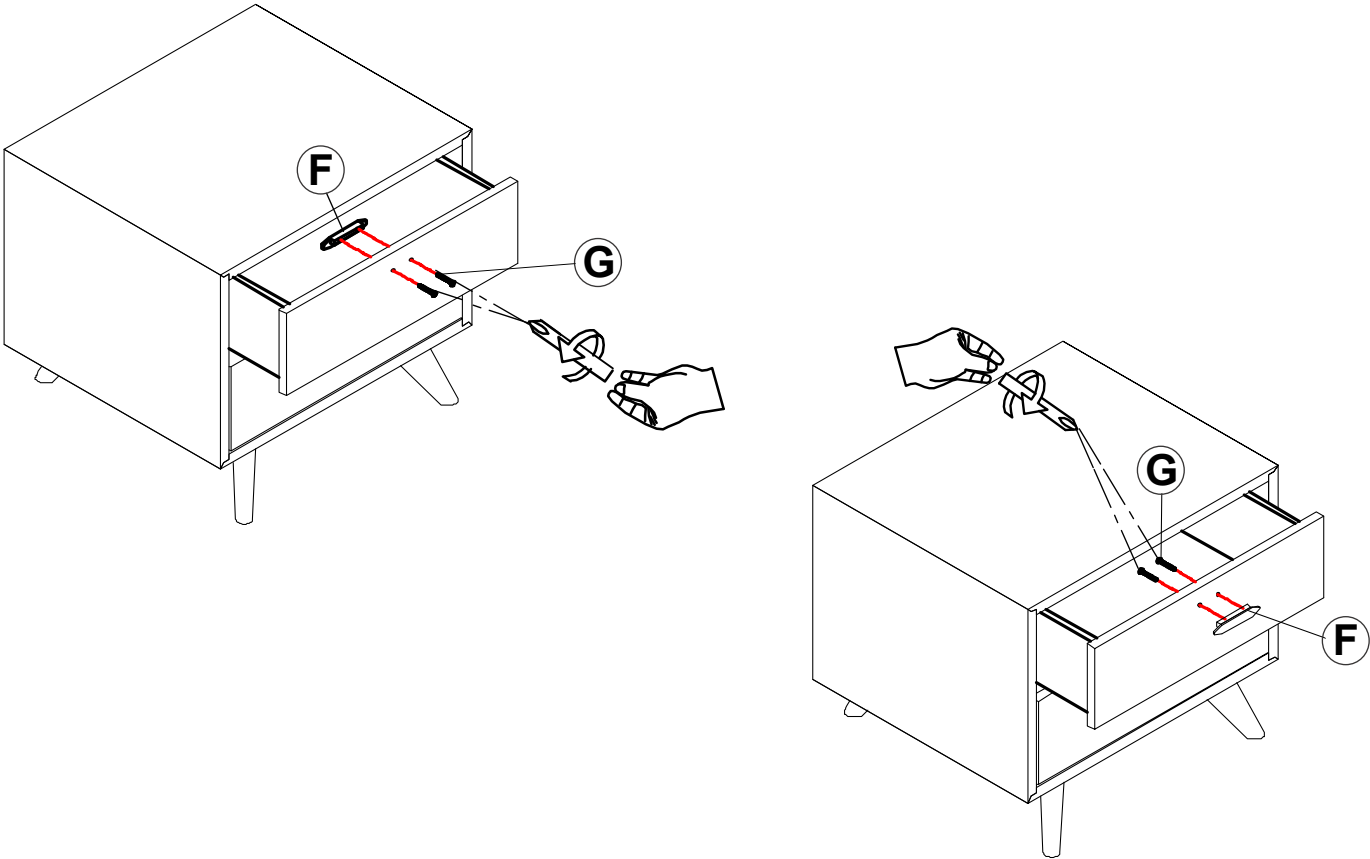


**G:** Screw M4\*15mm x4

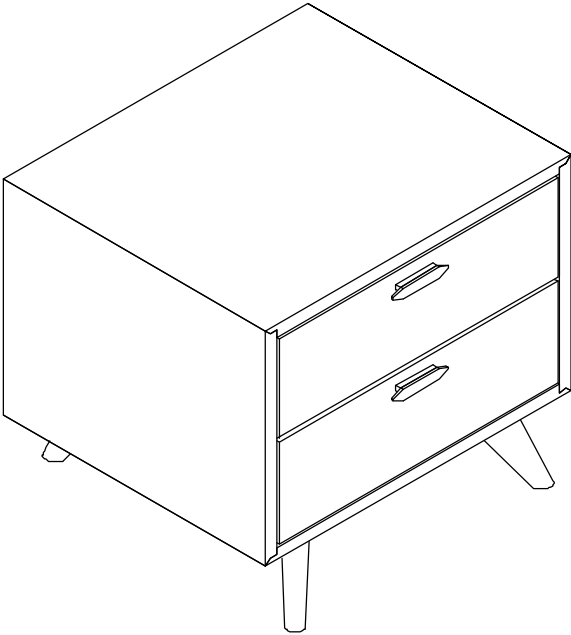
### STEP 1



**STEP 2**

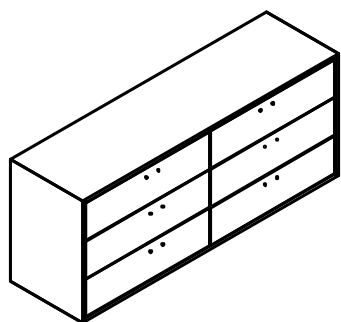


**STEP 3**

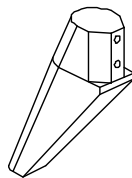


# Product Assembly Instructions

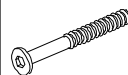
## LOFT-CH 160



**A:** Chest x1



**B:** Leg x4



**C:** Bolt M6\*60mm x8



**D:** Washer x8



**E:** Allen key x1

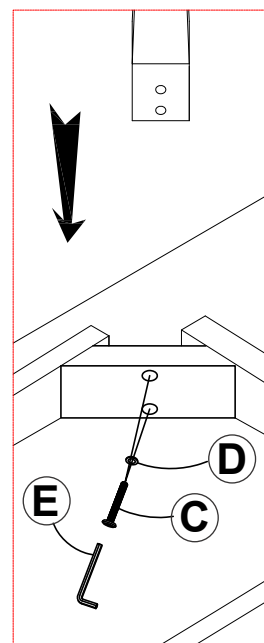
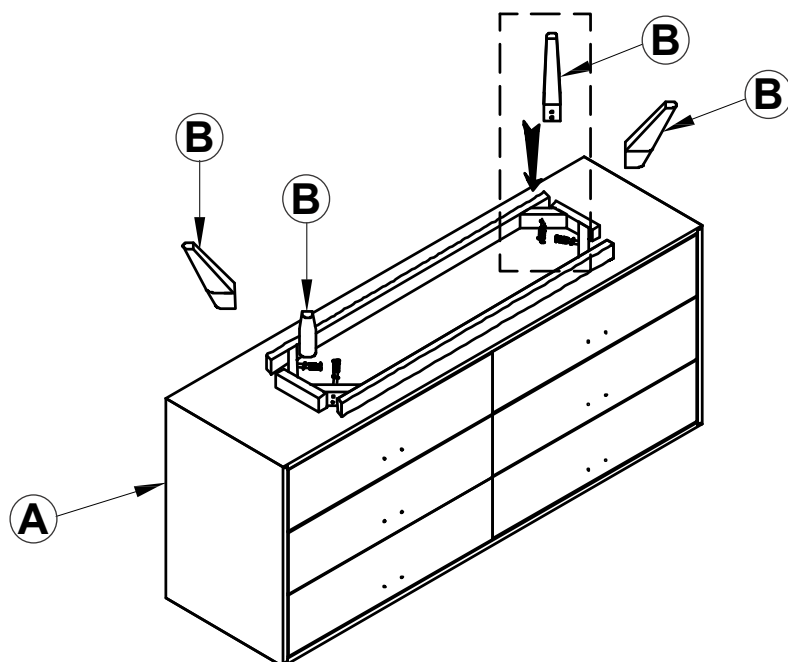


**F:** Handle x6

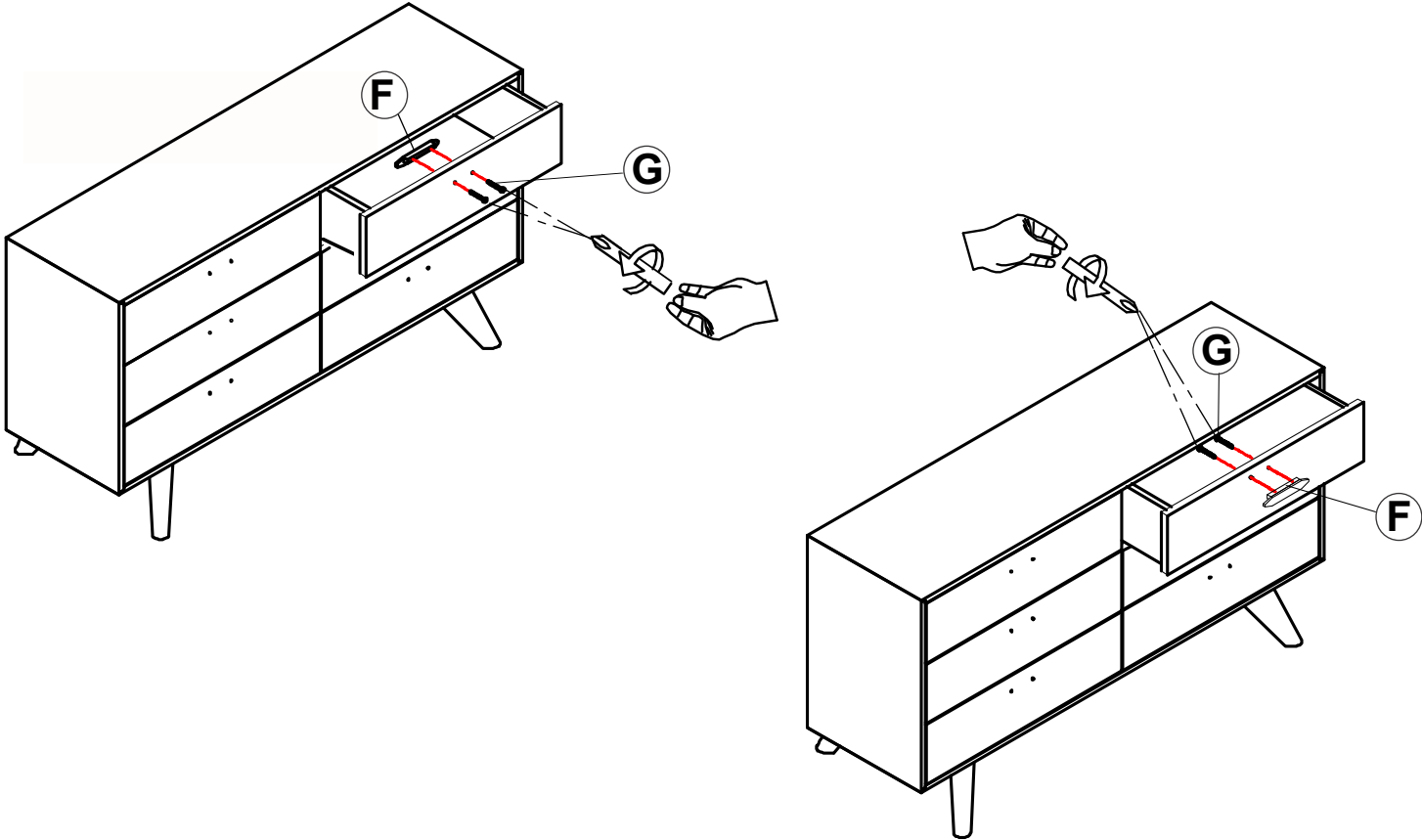


**G:** Screw M4\*15mmx12

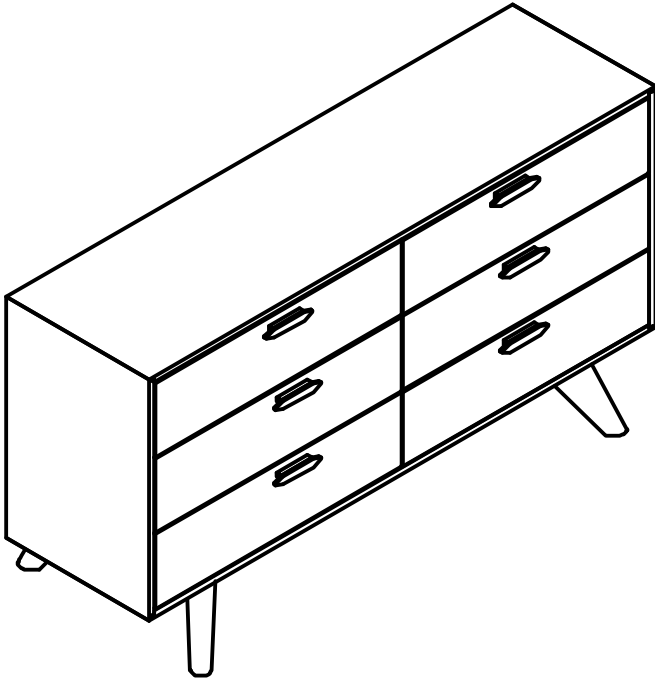
### STEP 1



**STEP 2**

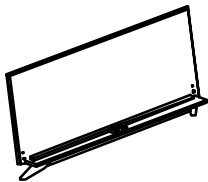

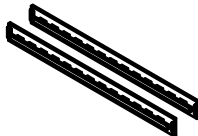
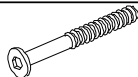



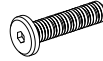
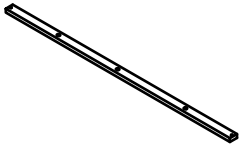




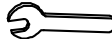



**STEP 3**

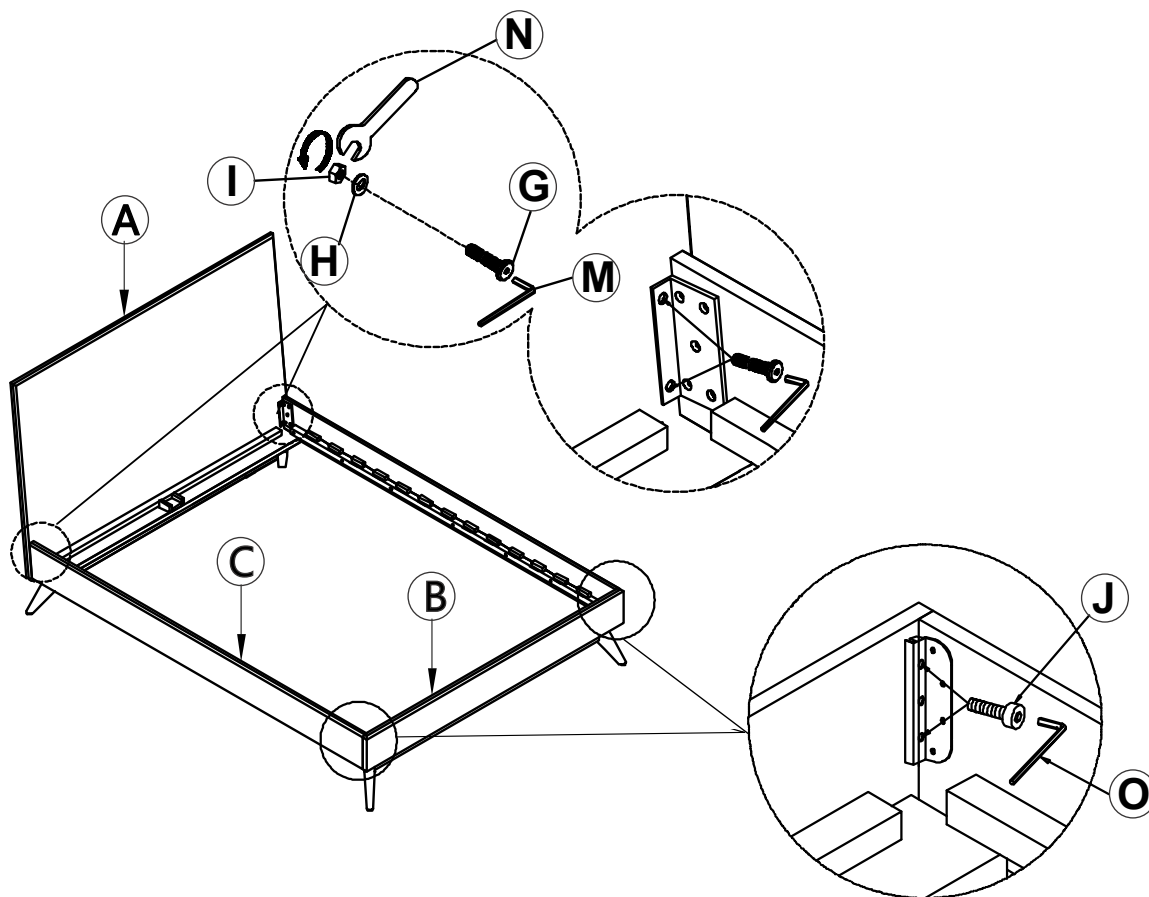


# Product Assembly Instructions

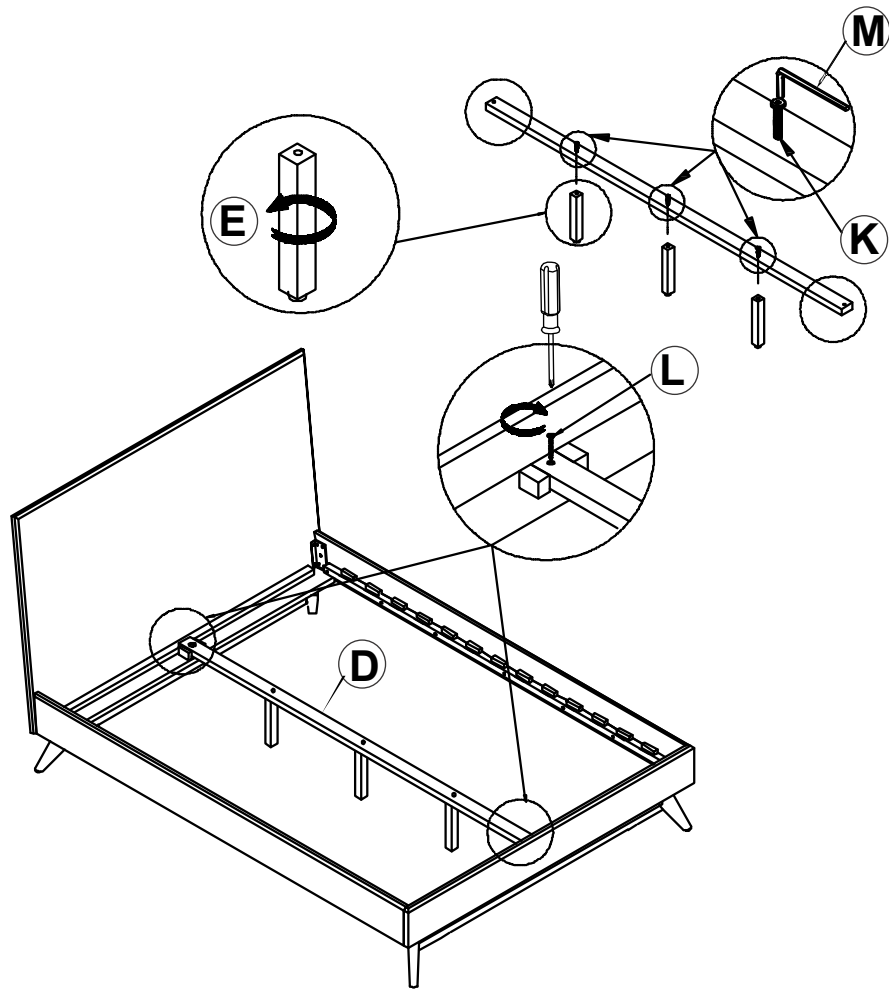
## LOFT-KB200

 <p><b>A:</b> Headboard x1</p>	 <p><b>B:</b> Footboard x1</p>	 <p><b>C:</b> Side Rall (L+R) x2</p>	 <p><b>G:</b> Bolt M8*40mm x4</p>
			 <p><b>H:</b> Washer x4</p>
			 <p><b>I:</b> Screw nut M8 x4</p>
			 <p><b>J:</b> Bolt M6*10mm x4</p>
			 <p><b>K:</b> Bolt M6*60mm x3</p>
 <p><b>D:</b> Middle Rall x1</p>	 <p><b>E:</b> Center Leg x3</p>	 <p><b>F:</b> Slat Frame x 14</p>	 <p><b>L:</b> Screw M4*30mmx30</p>
			 <p><b>M:</b> Allen key M4 x1</p>
			 <p><b>N:</b> Wrench x1</p>
			 <p><b>O:</b> Allen key M5 x1</p>

### STEP 1



## STEP 2



## STEP 3

