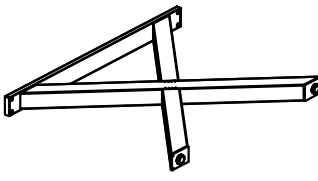
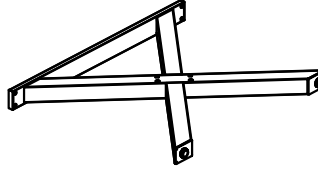


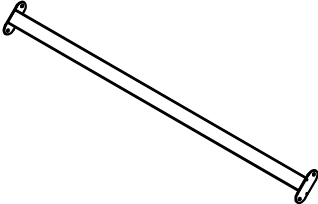
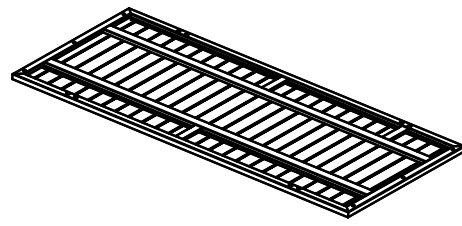


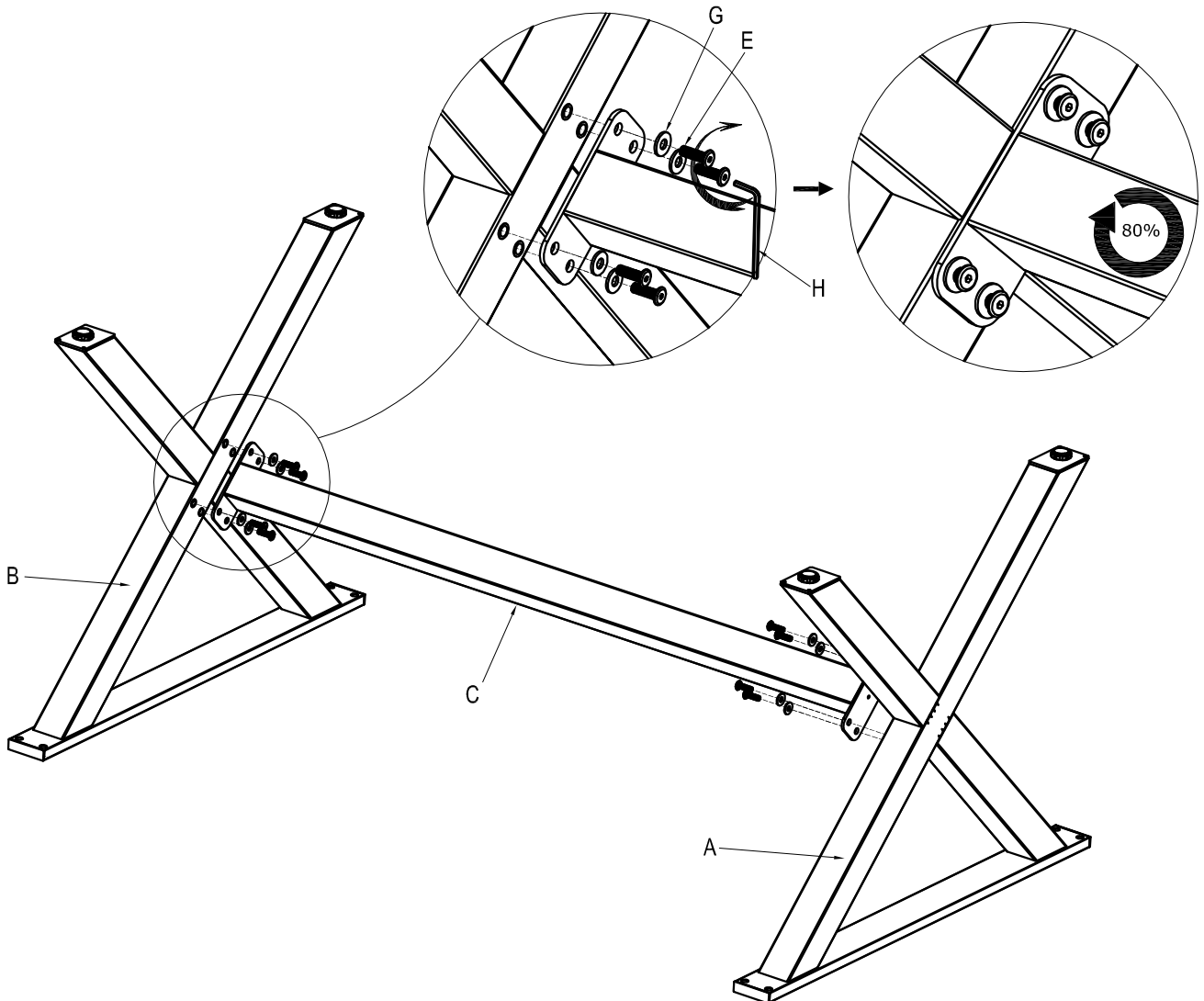


# Product Assembly Instructions

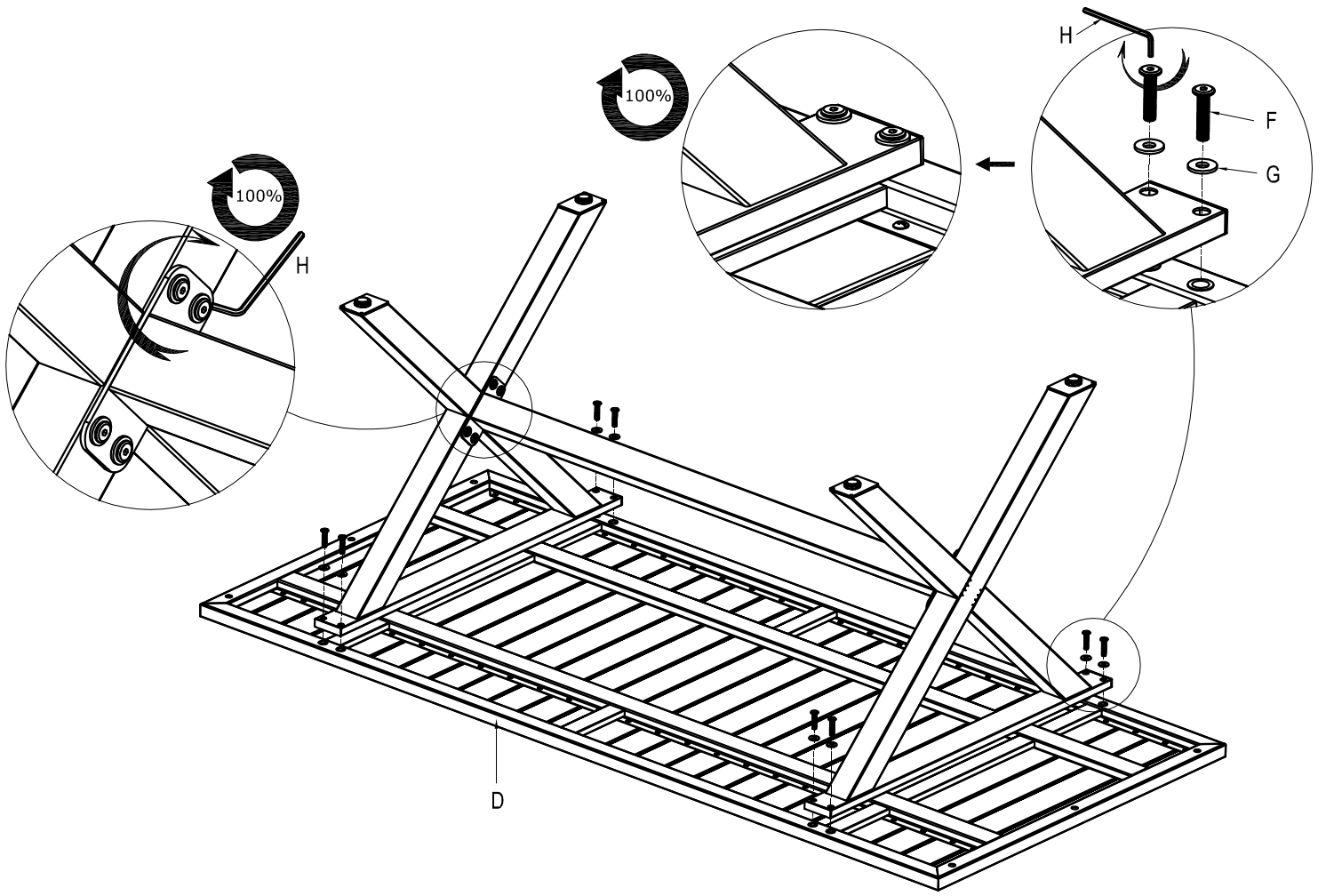
## LCPSDIBL

 <p>A: Leg x1</p>	 <p>B: Leg x1</p>	 <p>E: F-Bolt M8*25 x8</p>  <p>F: F-Bolt M8*35 x8</p>
 <p>C: Support x1</p>	 <p>D: Top x1</p>	 <p>G: Washer x16</p>  <p>H: Allen key x2</p>

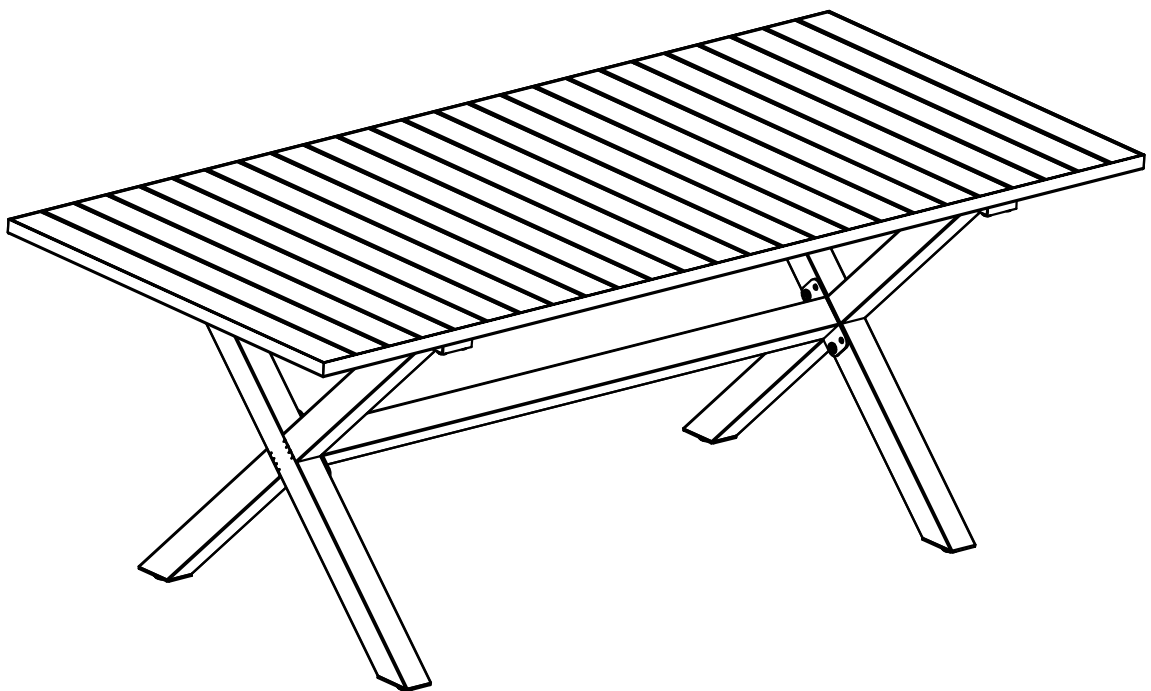
STEP 1



STEP 2

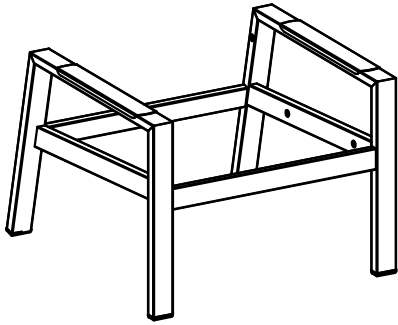


STEP 3

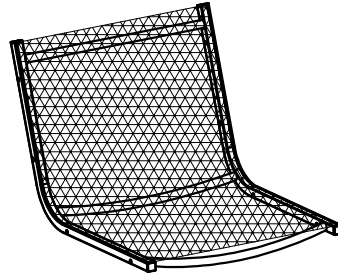


# Product Assembly Instructions

## LCPNCHBL



A: Main Frame x1



B: Seat x1



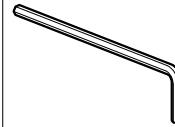
C: F-Bolt M8\*50 x6



D: Washer x6

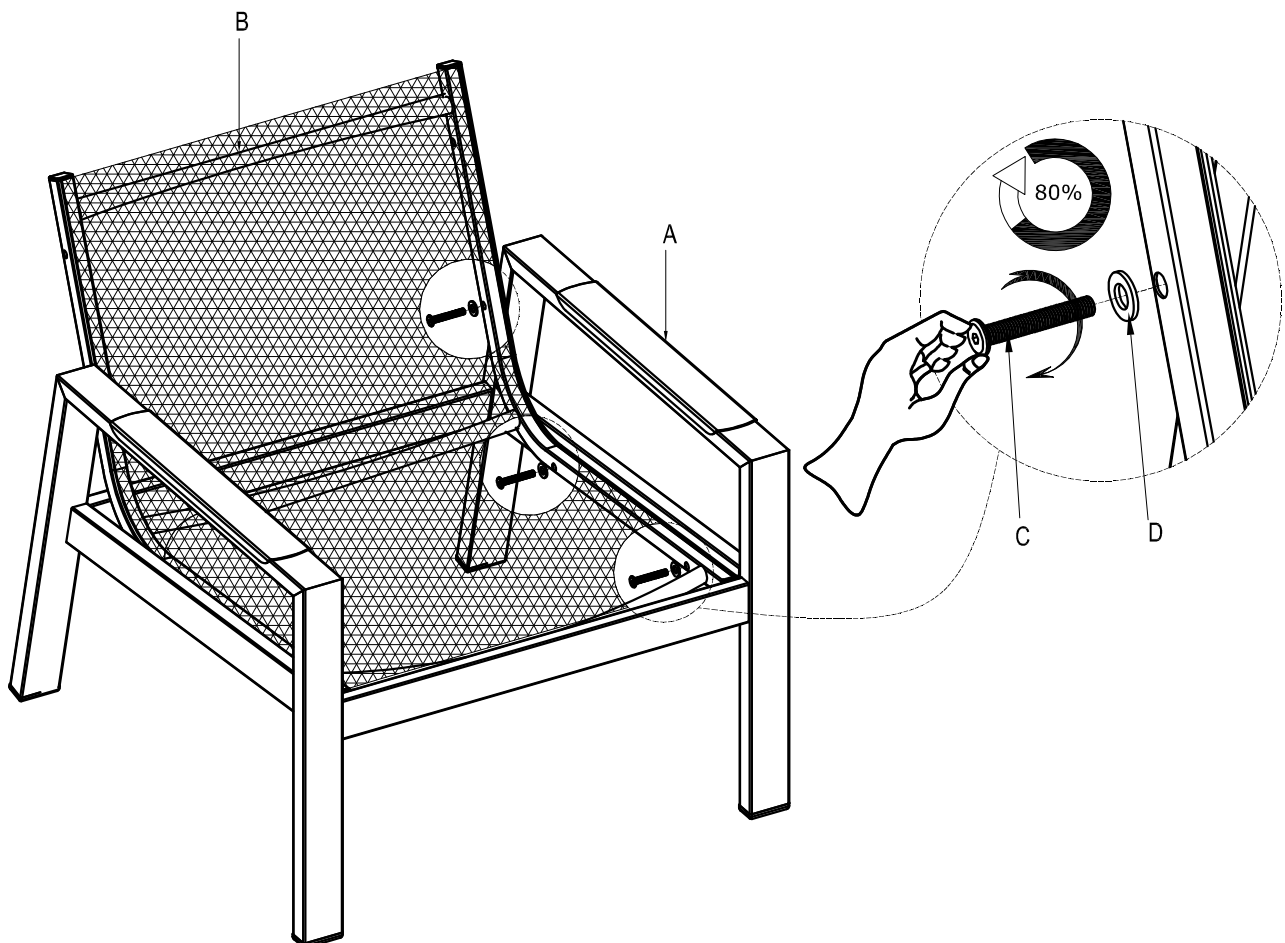


E: Cap x4

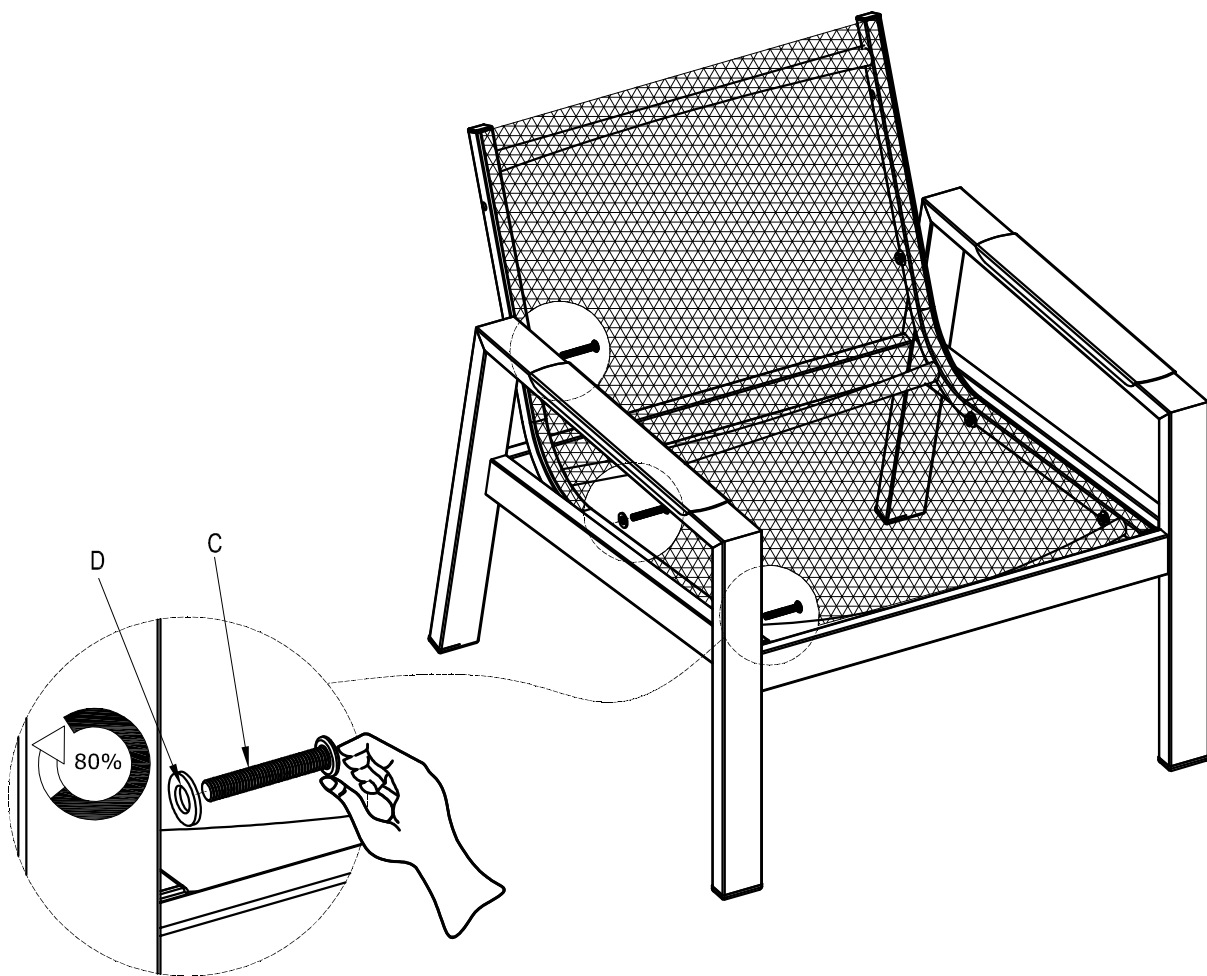


F: Allen key x1

### STEP 1



STEP 2



STEP 3

