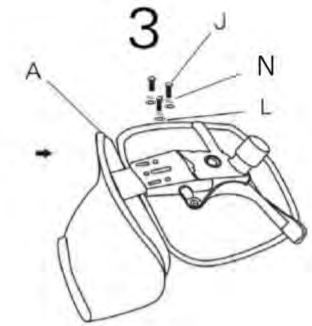
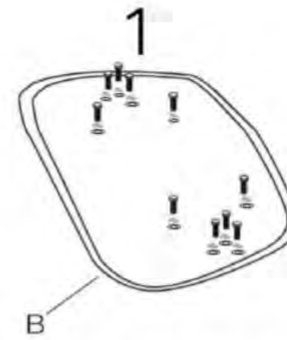


Assembly Instructions

CROSBY High Back Office Chair

PLEASE NOTE: Check that you have received all components and hardware before assembling. If you are missing any parts, contact your retailer.



Please remove the pre-assembled screws and washers from the seat and use them to proceed with steps 2-3.



A (1 pc)



B (1 pc)



C (2 pcs)



D (1 pc)



E (1 pc)



F (1 pc)



G (5 pc)

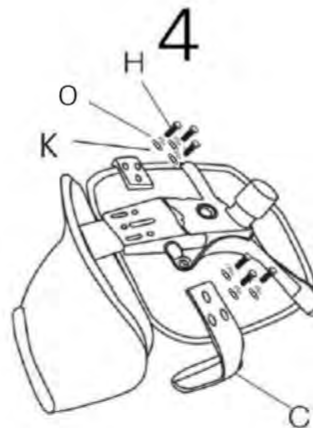


H (6 pcs)
M6 x 30mm



I (4 pcs)
M8-1.25 x 25mm

Note: Parts H and I are pre-assembled and need to be removed, for assembly.



J (3 pcs)
M8-1.25 x 20mm



K (6 pcs)
M6



L (7 pcs)
M8



M (1 pc)
6mm

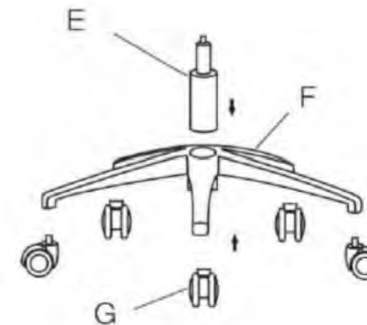


N (7 pcs)
M8



O (6 pcs)
M6

5

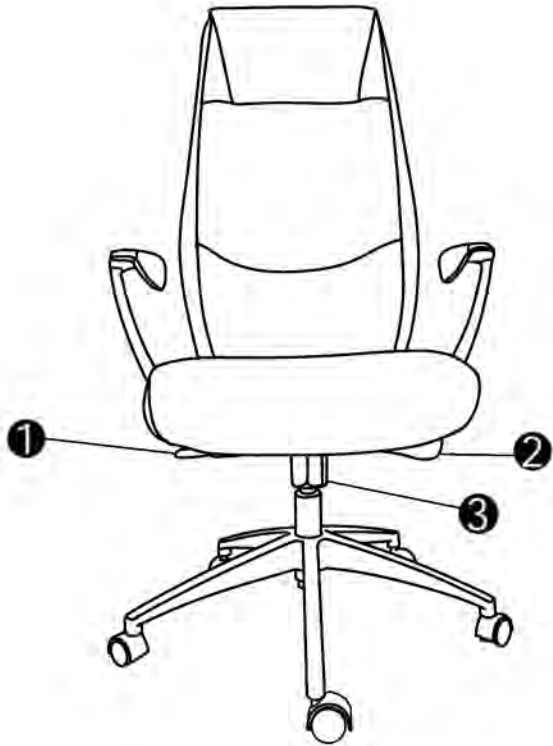


6



During assembly, hand tighten screws only. When the screws are in place, tighten completely.

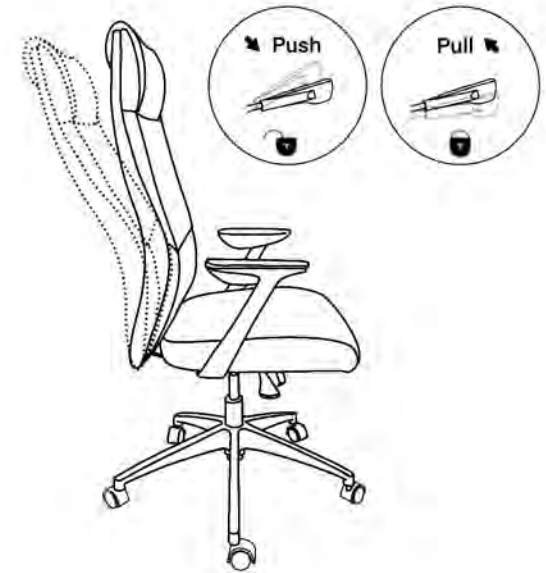
Function Description



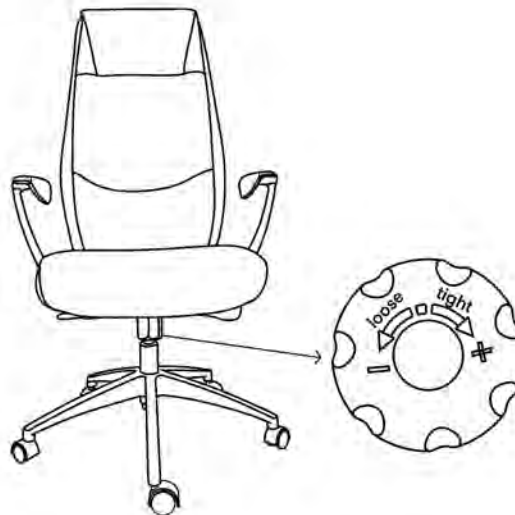
1 Chair height adjustable



2 Chair Tilt and lock



3 Tilt Tension



During assembly, hand tighten screw only. When the screw is in place, tighten completely.