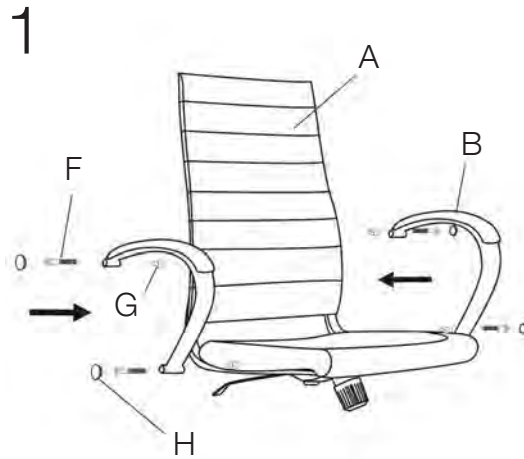


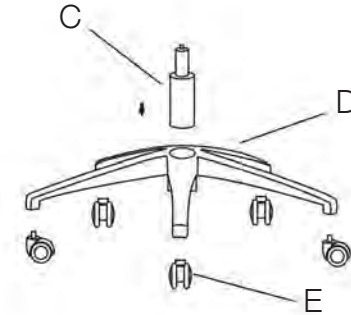
# Assembly Instructions

## AXEL High Back Office Chair

PLEASE NOTE: Check that you have received all components and hardware before assembling. If you are missing any parts, contact your retailer.



2



3



A (1 pc)



B (2 pcs)



C (1 pc)



D (1 pc)



E (5 pcs)



F (4 pcs)  
Ø8 x 48mm



G (4 pcs)



H (4 pcs)



I (1 pc)  
8mm

During assembly, hand tighten screws only. When the screws are in place, tighten completely.

# Function Description

**1** Chair height adjustable



**2** Chair Tilt and lock



**3** Tilt Tension

