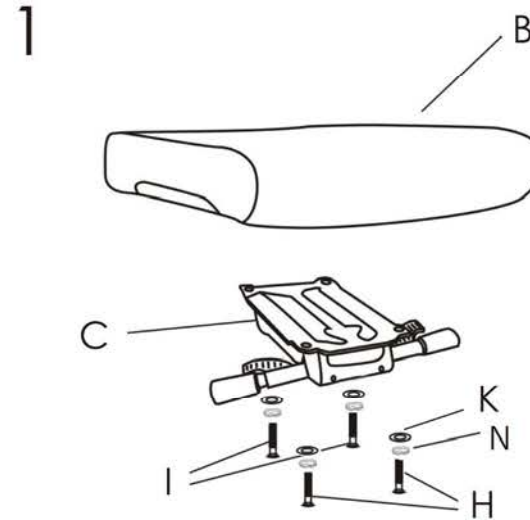


## Assembly Instructions ALPHA Office Chair

PLEASE NOTE: Check that you have received all components and hardware before assembling. If you are missing any parts, contact your retailer.



A (1 pc)



B (1 pc)



C (1 pc)



D (1 pc)



E (1 pc)



F (5 pcs)



G (3 pcs)  
M8 x 30mm



H (2 pcs)  
M6 x 30mm



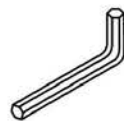
I (2 pcs)  
M6 x 25mm



J (3 pcs)  
M8



K (4 pcs)  
M6



L (1 pc)  
M6

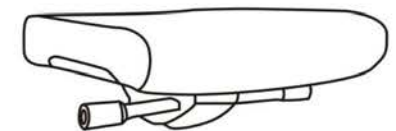
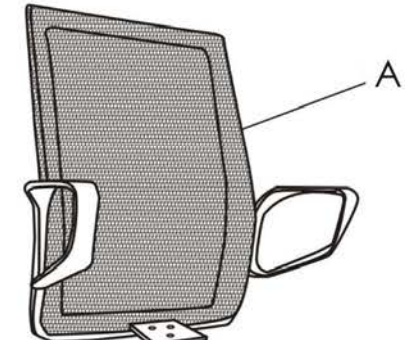


M (3 PCS)  
M8



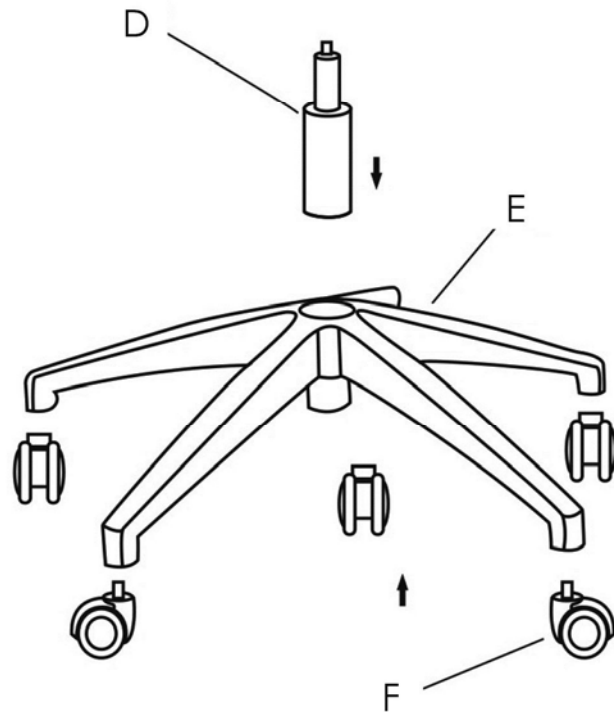
N (4 PCS)  
M6

2



During assembly, hand tighten screws only. When the screws are in place, tighten completely.

3



4

