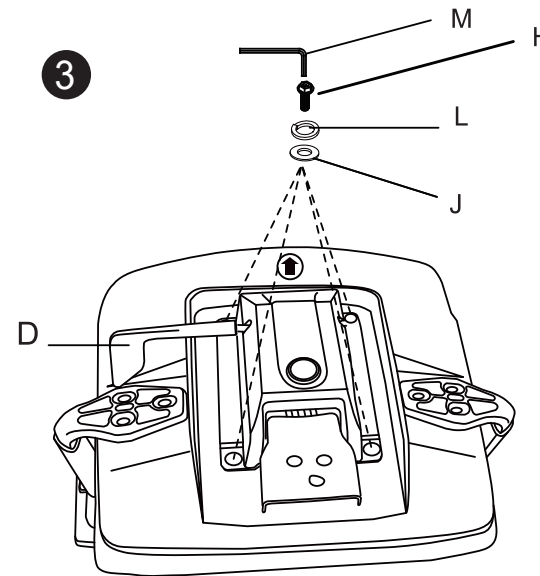
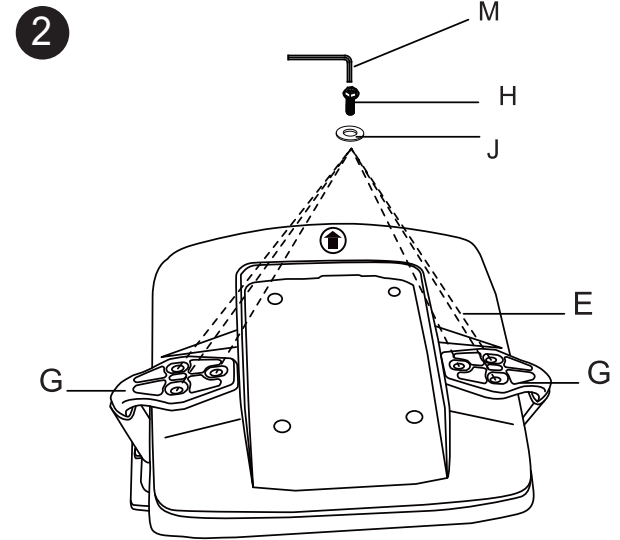
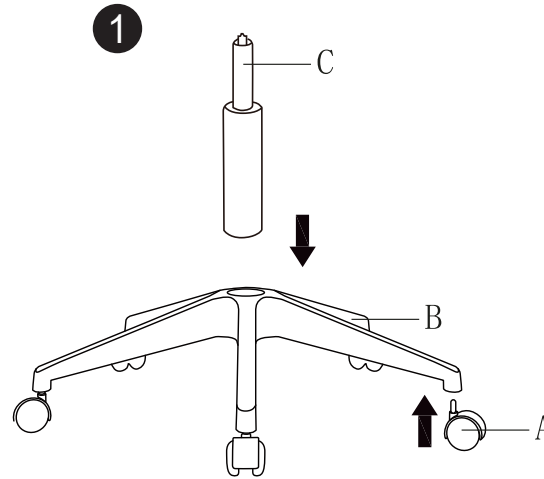


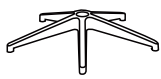
Assembly Instructions

LASSE High Back Office Chair

PLEASE NOTE: Check that you have received all components and hardware before assembling. If you are missing any parts, contact your retailer.



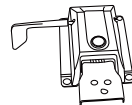
A (5 pcs)



B (1 pc)



C (1 pc)



D (1 pc)



E (1 pc)



F (1 pc)



G (2 pcs)



H (10 pcs)

1/4" x 1-7/8"



I (3 pcs)

5/16" x 1-1/4"



J (10 pcs)



K (3 pcs)



L (7 pcs)



M (1 pc)

φ6.5x16x1mm T

φ8.5x18x1mm T

φ13.5x8.5x2.5mm T

5mm(8x3cm)

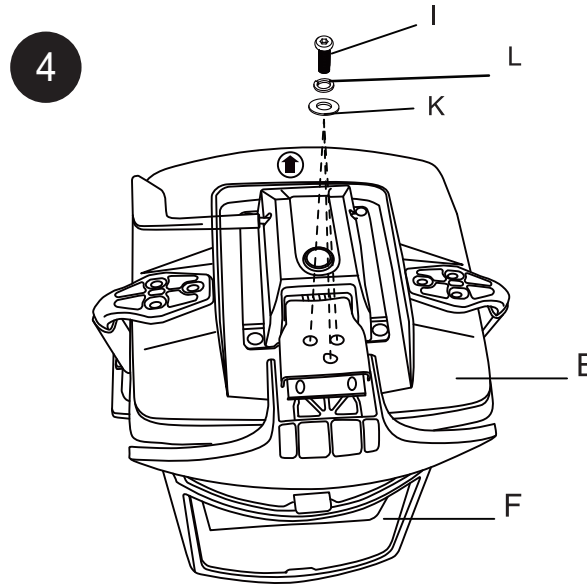
Wrench

During assembly, hand tighten screws only. When the screws are in place, tighten completely.

Assembly Instructions

LASSE High Back Office Chair

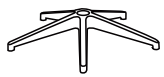
PLEASE NOTE: Check that you have received all components and hardware before assembling. If you are missing any parts, contact your retailer.



6



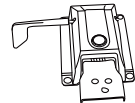
A (5 pcs)



B (1 pc)



C (1 pc)



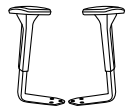
D (1 pc)



E (1 pc)



F (1 pc)



G (2 pcs)



H (10 pcs)
1/4" x 1-7/8"



I (3 pcs)
5/16" x 1-1/4"



J (10 pcs)
φ6.5x16x1mm T



K (3 pcs)
φ8.5x18x1mm T



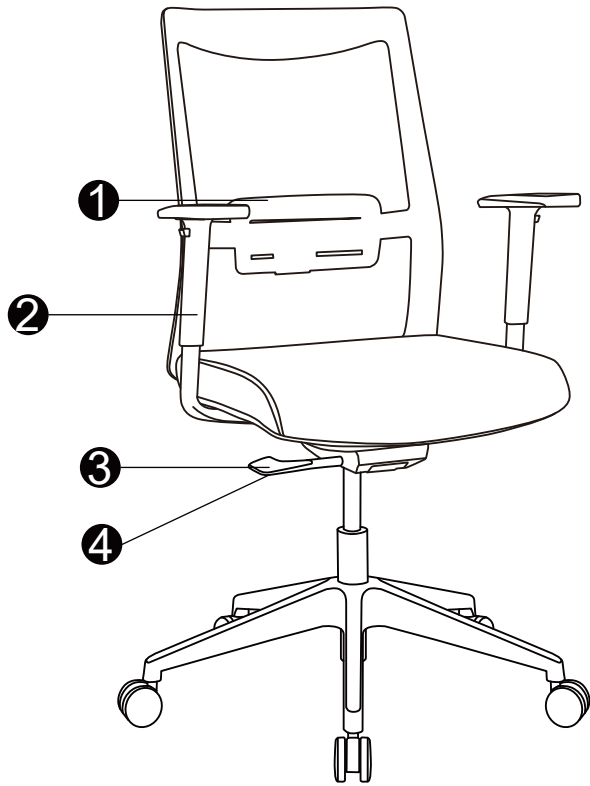
L (7 pcs)
φ13.5x8.5x2.5mm T



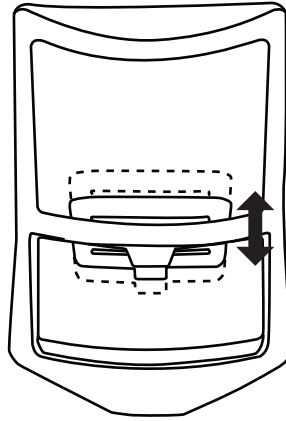
M (1 pc)
5mm(8x3cm)
Wrench

During assembly, hand tighten screws only. When the screws are in place, tighten completely.

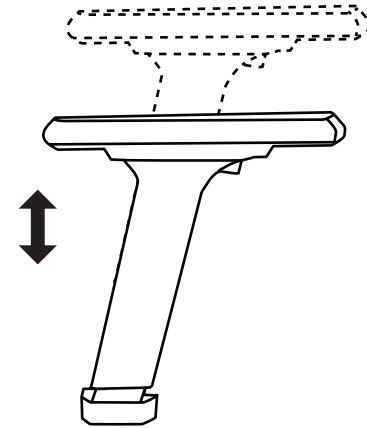
Function Description



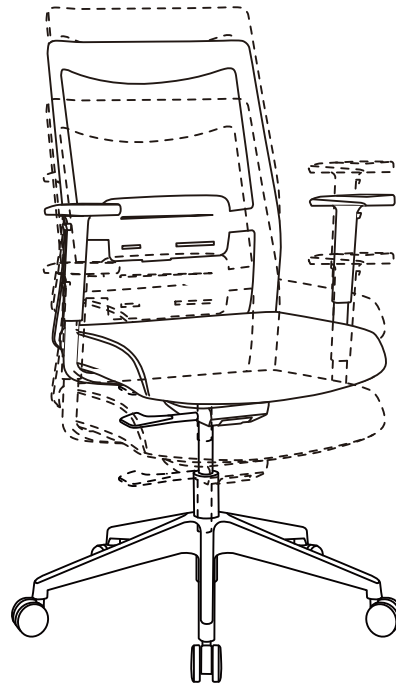
1 Lumber support height adjustable



2 Arm height adjustable



3 Chair height adjustable



4 Chair Tilt and lock

