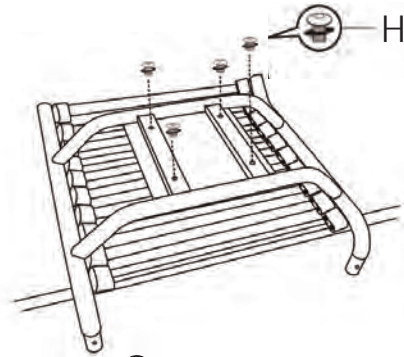


Assembly Instructions

ALLISON BUNGIE Flat High Back Office Chair



IMPORTANT NOTE: Screws and washers (Parts H) are preassembled into the underside of the seat (Part B). Remove screws and washers from seat and then use to attach Part C to Part B, as shown in step 1.



A (1 pc)



B (1 pc)



C (1 pc)



D (1 pc)

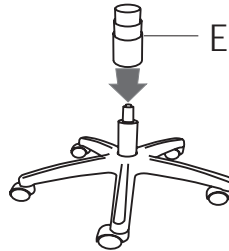


E (1 pc)

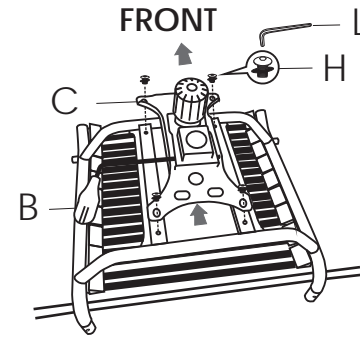


F (1 pc)

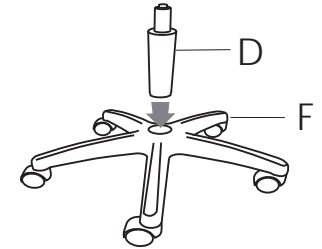
3



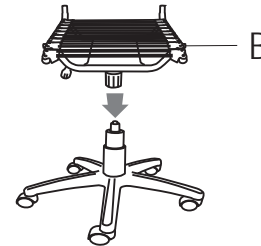
1



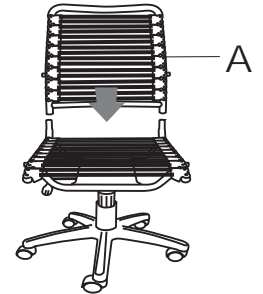
2



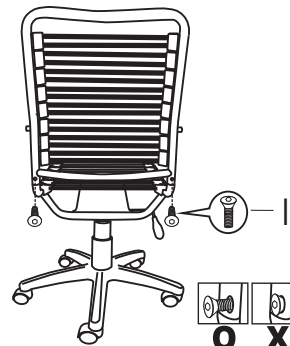
4



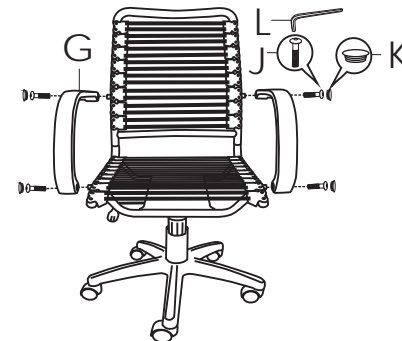
5



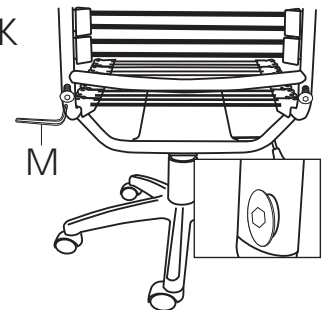
6



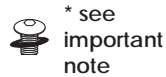
7



8



G (2 pcs)



H (4 pcs)
M8 x 14mm



I (2 pcs)
1/4" x 5/8"



J (4 pcs)
M8 x 40mm



K (4 pcs)



L (1 pc)
5mm



M (1 pc)
4mm

* see important note

During assembly, hand tighten screws only. When the screws are in place, tighten completely.

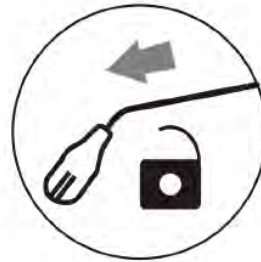
Function Description

PLEASE NOTE: Check that you have received all components and hardware before assembling. If you are missing any parts, contact your retailer.

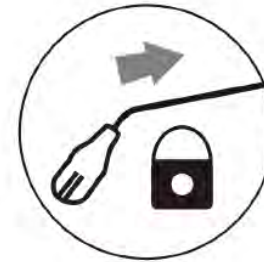
1. To adjust chair height



2. Chair tilt and lock



* pull out



* push in

3. To loosen or tighten chair tilt

