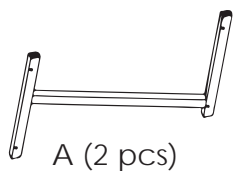
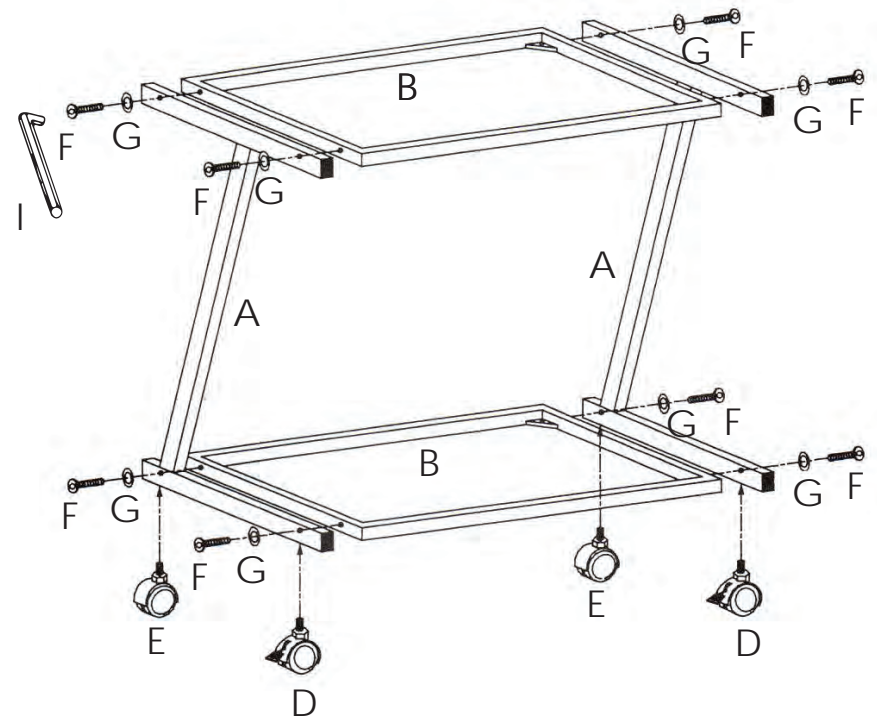


euø style

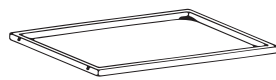
Assembly Instructions L-Series Printer Cart



1



A (2 pcs)



B (2 pcs)



C (2 pcs)



D (2 pcs)



E (2 pcs)



F (8 pcs)



G (8 pcs)



H (8 pcs)



I (1 pc)

PLEASE NOTE: Check that you have received all components and hardware before assembling. If you are missing any parts, contact your retailer.

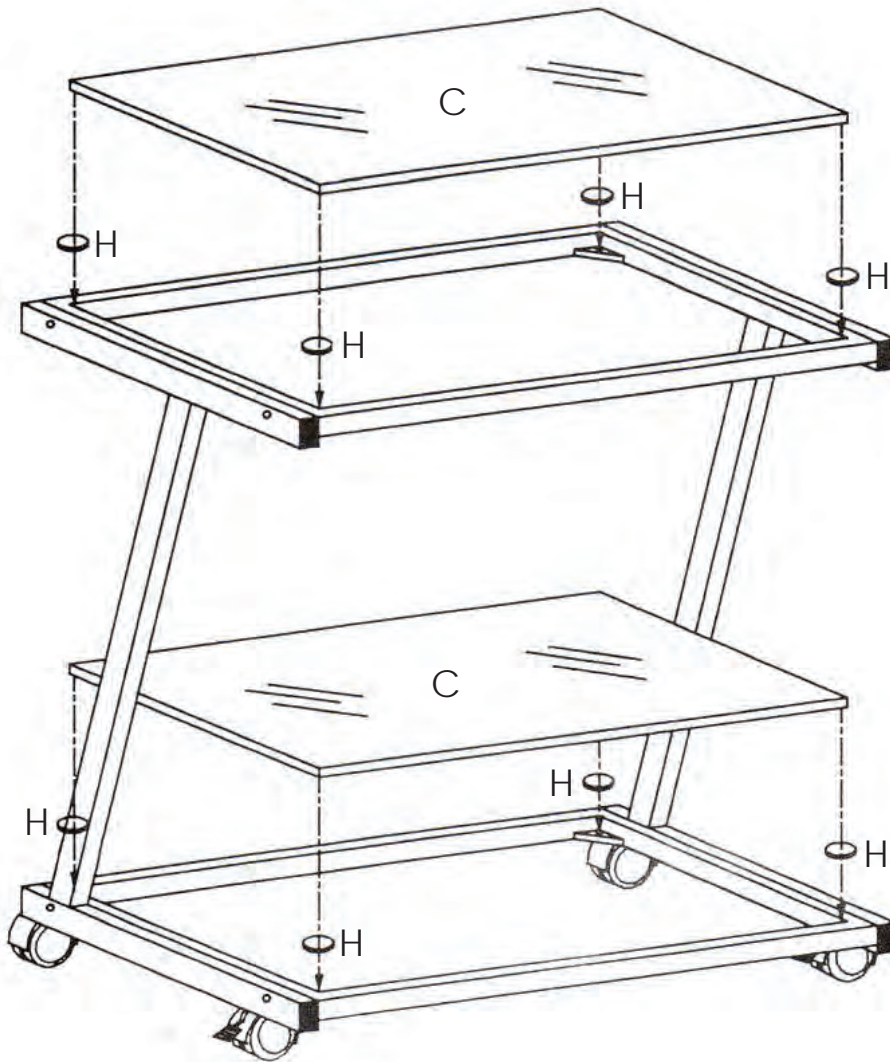
During assembly, hand tighten screws only. When the screws are in place, tighten completely.

euø style

Assembly Instructions L-Series Printer Cart

PLEASE NOTE: Check that you have received all components and hardware before assembling. If you are missing any parts, contact your retailer.

2



During assembly, hand tighten screws only. When the screws are in place, tighten completely.