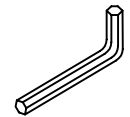
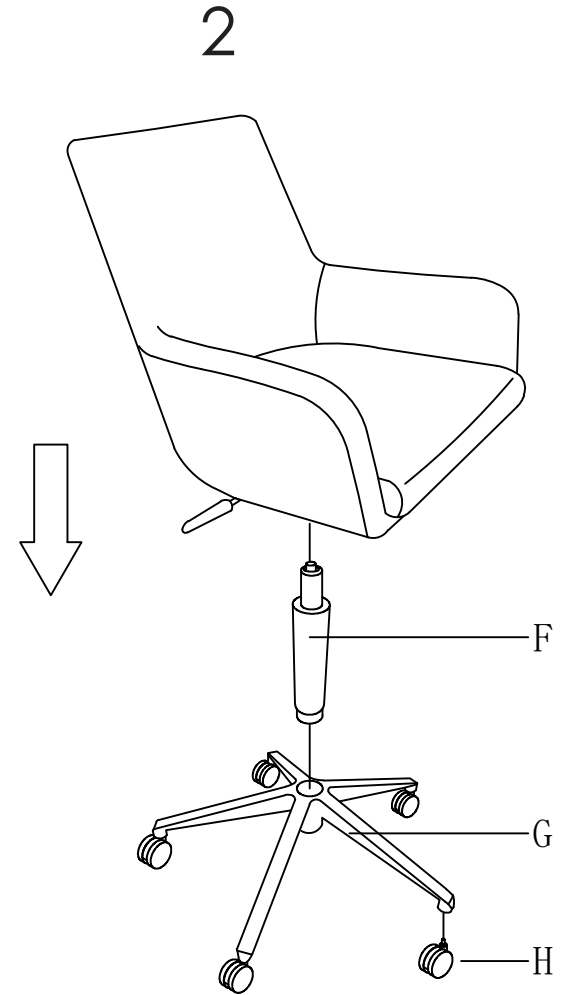
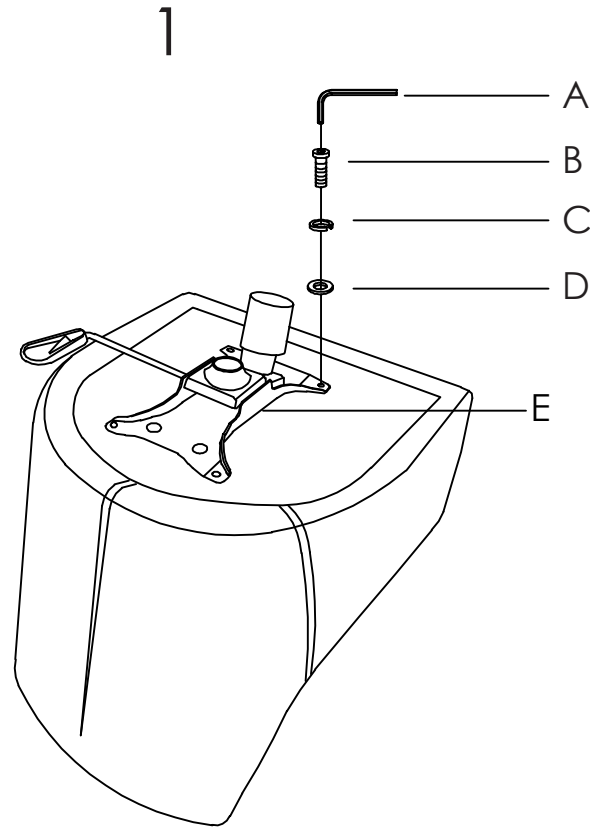


Assembly Instructions CALAIS Office Chair

PLEASE NOTE: Check that you have received all components and hardware before assembling. If you are missing any parts, contact your retailer.



A (1 pc)
4mm



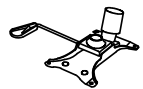
B (4 pcs)
M6 x 15mm



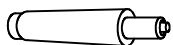
C (4 pcs)
ø6



D (4 pcs)
ø6



E (1 pc)



F (1 pc)



G (1 pc)



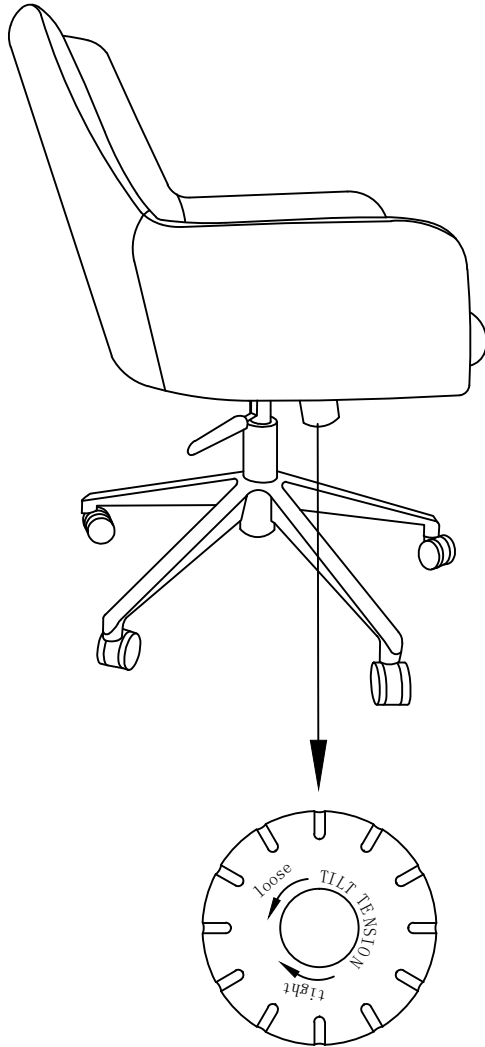
H (5 pcs)

During assembly, hand tighten screws only. When the screws are in place, tighten completely.

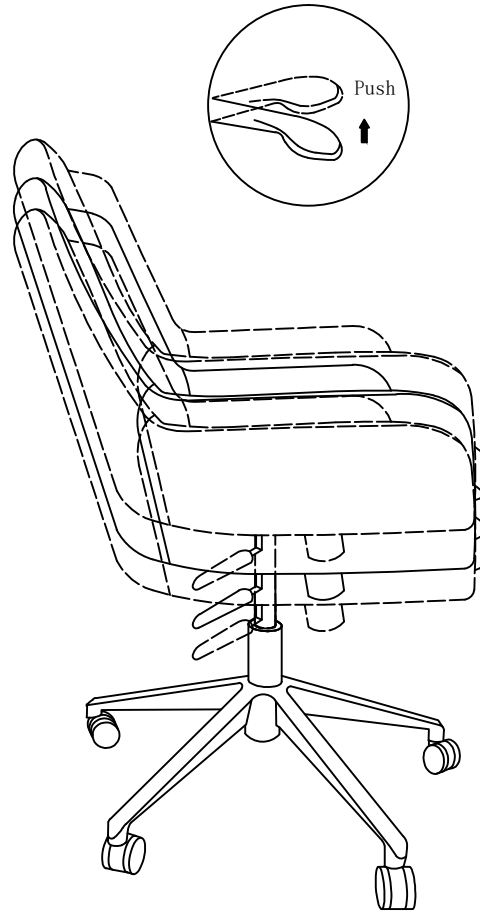
Function Description

PLEASE NOTE: Check that you have received all components and hardware before assembling. If you are missing any parts, contact your retailer.

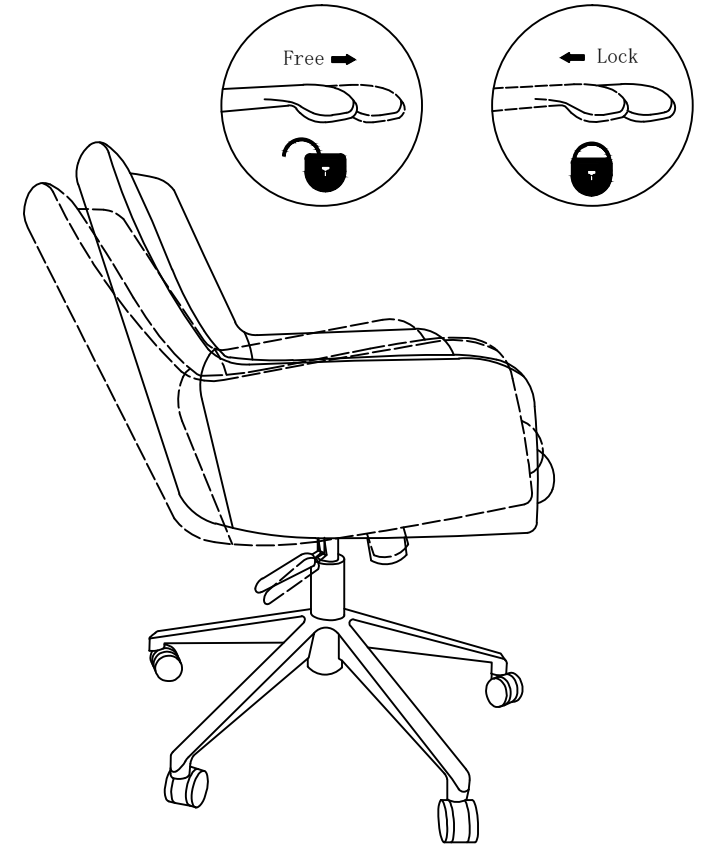
Tilt Tension



Chair Height Adjustment



Chair Tilt and Lock



During assembly, hand tighten screws only. When the screws are in place, tighten completely.