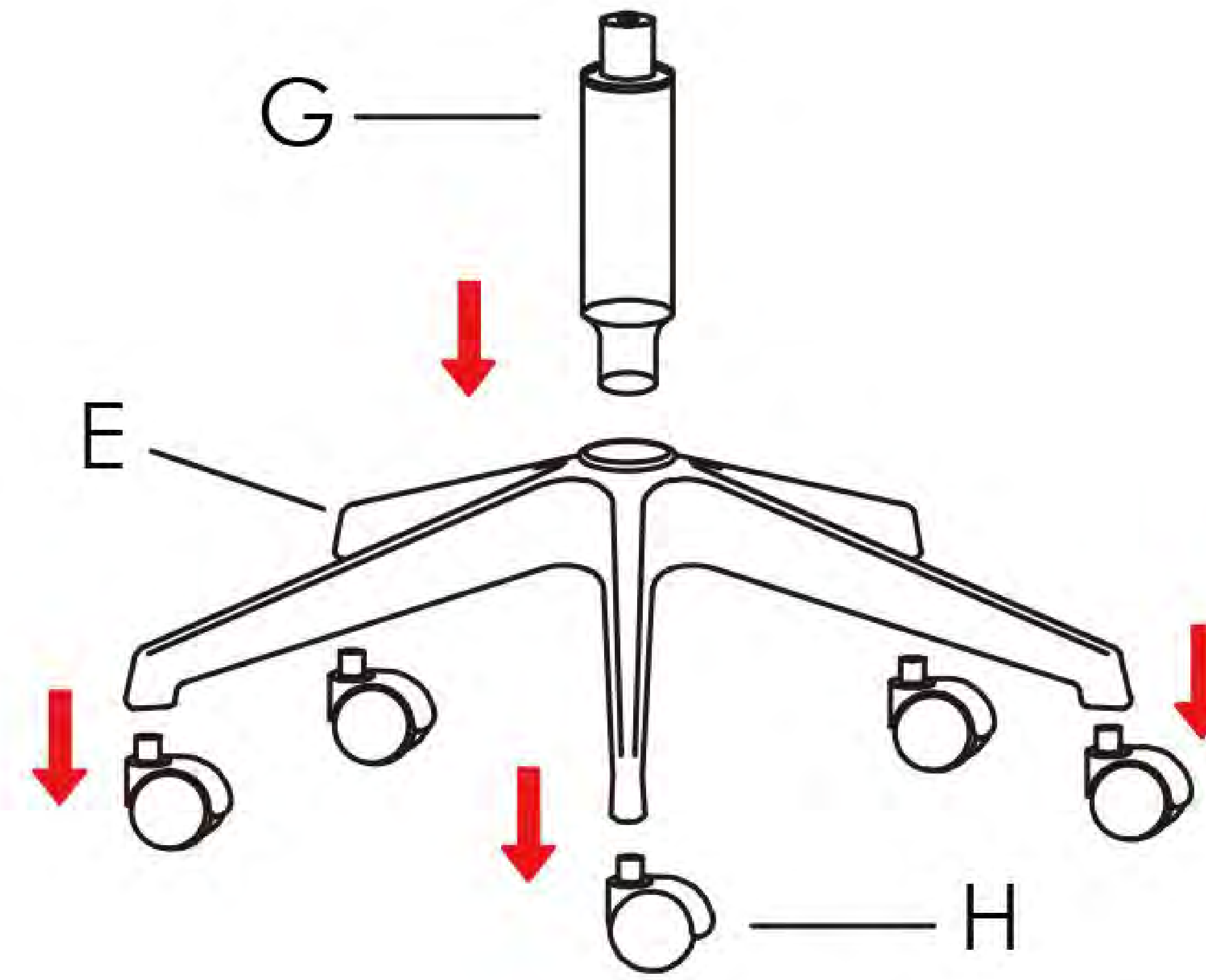


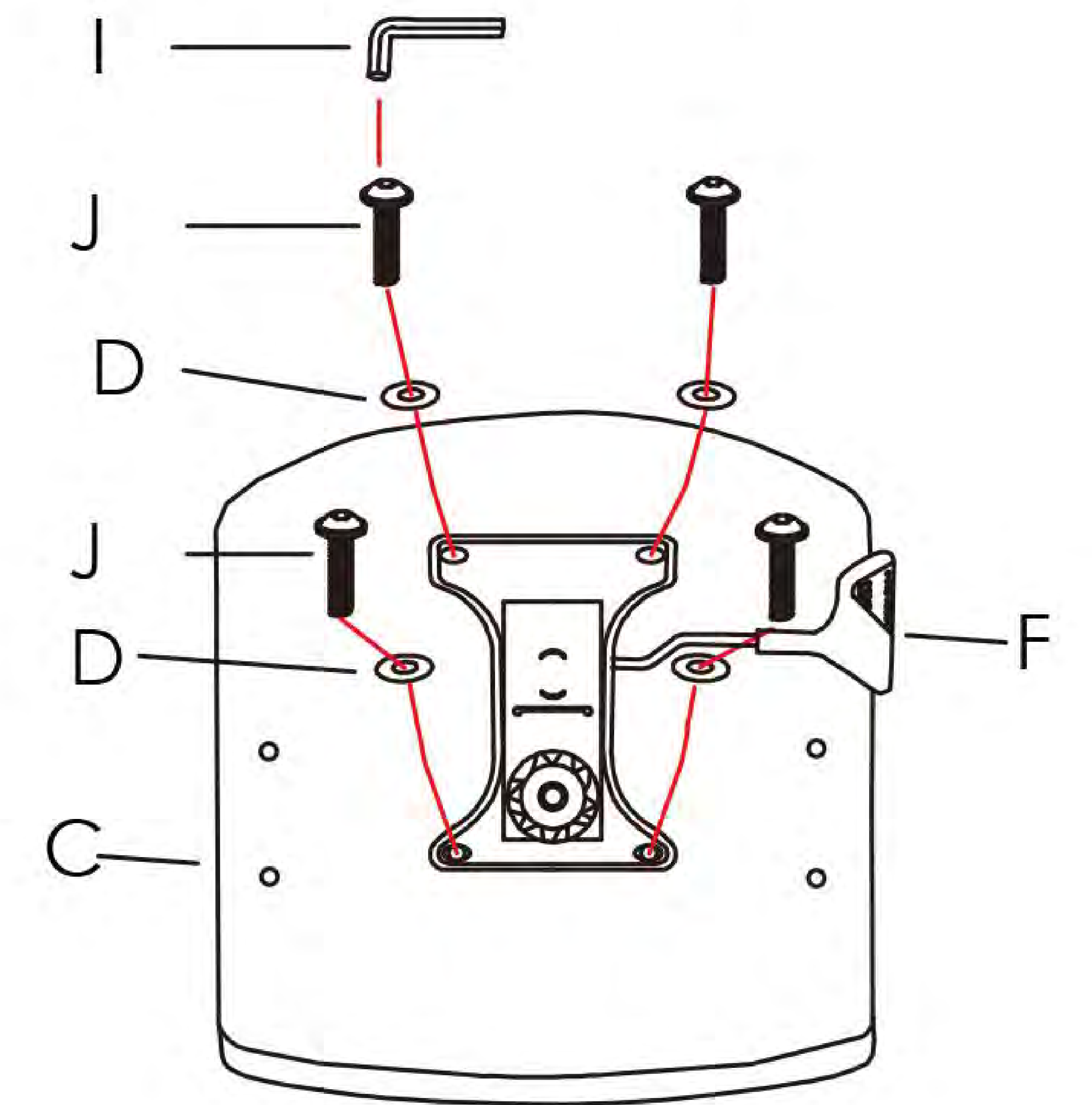
Assembly Instructions LIVIA Office Chair



PLEASE NOTE: Check that you have received all components and hardware before assembling. If you are missing any parts, contact your retailer.



Step 1



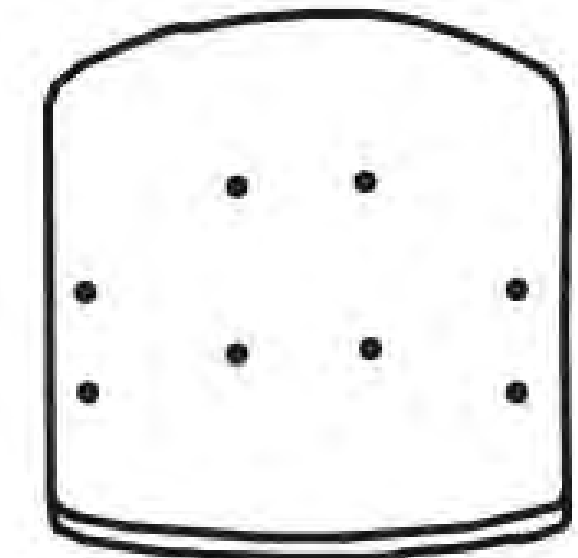
Step 2



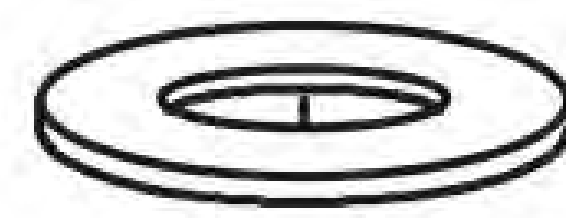
A (1pcs)



B (2pcs)
Lift&Right



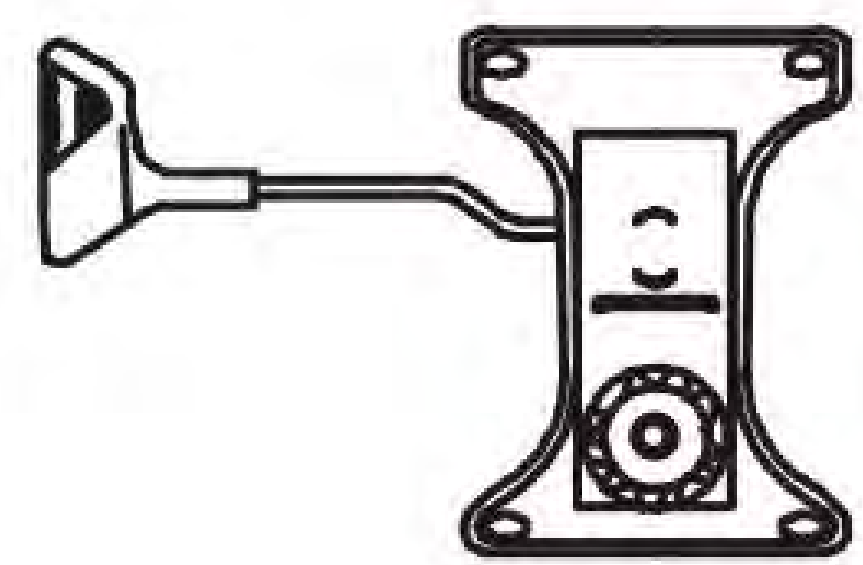
C (1pcs)



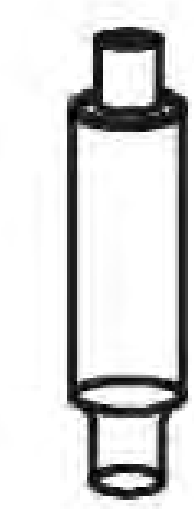
D (4pcs)
M6



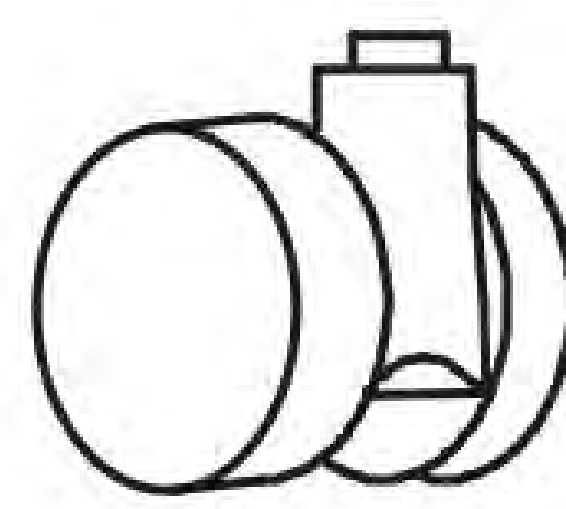
E (1pcs)



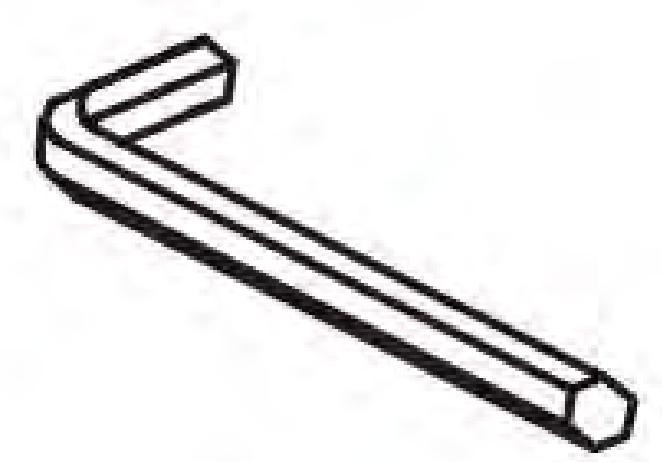
F (1pcs)



G (1pcs)



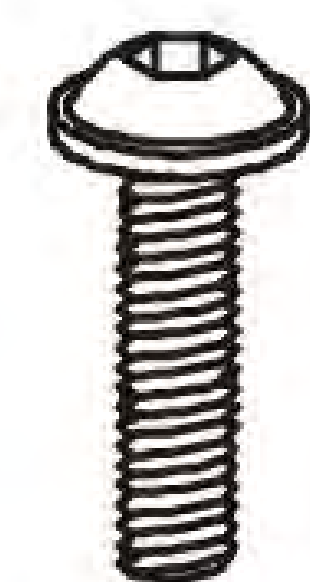
H (5pcs)



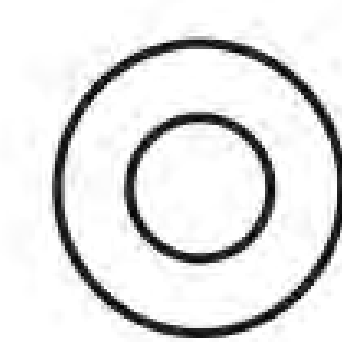
I (1pcs)
5mm



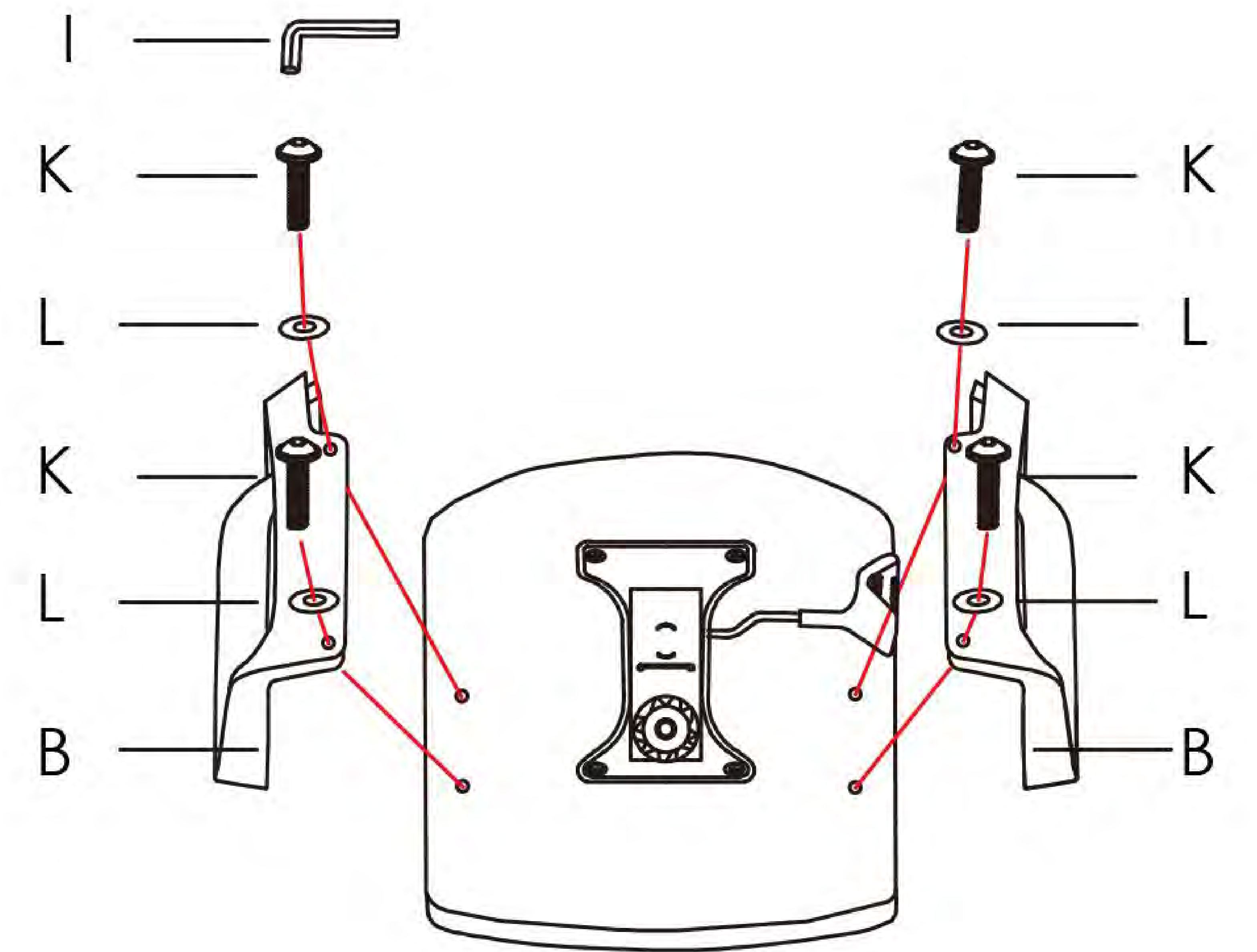
J (6pcs)
M6*20cm



K (4pcs)
M6*30cm



L (4pcs)
M8



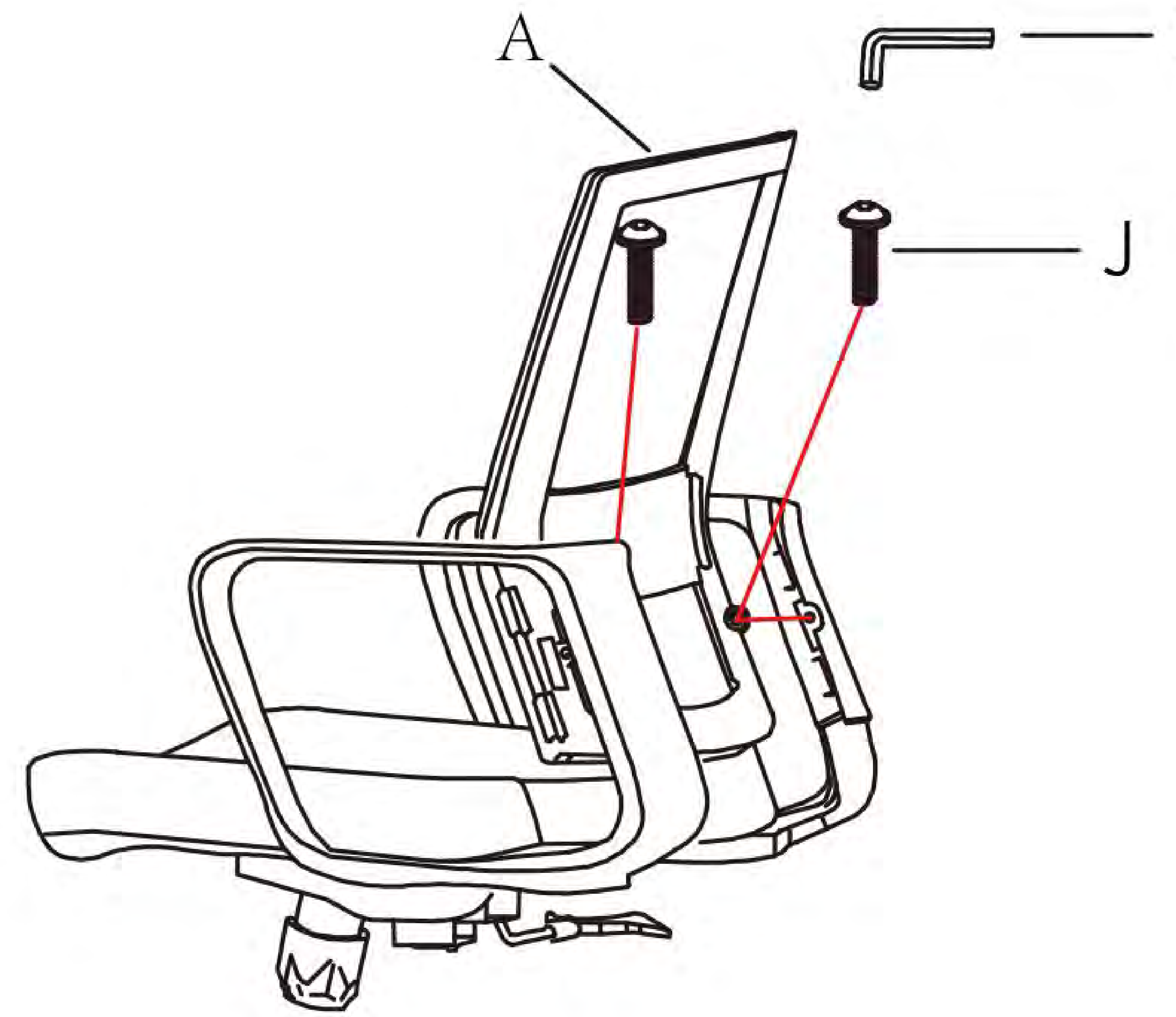
Step 3

During assembly, hand tighten screws only. When the screws are in place, tighten completely.

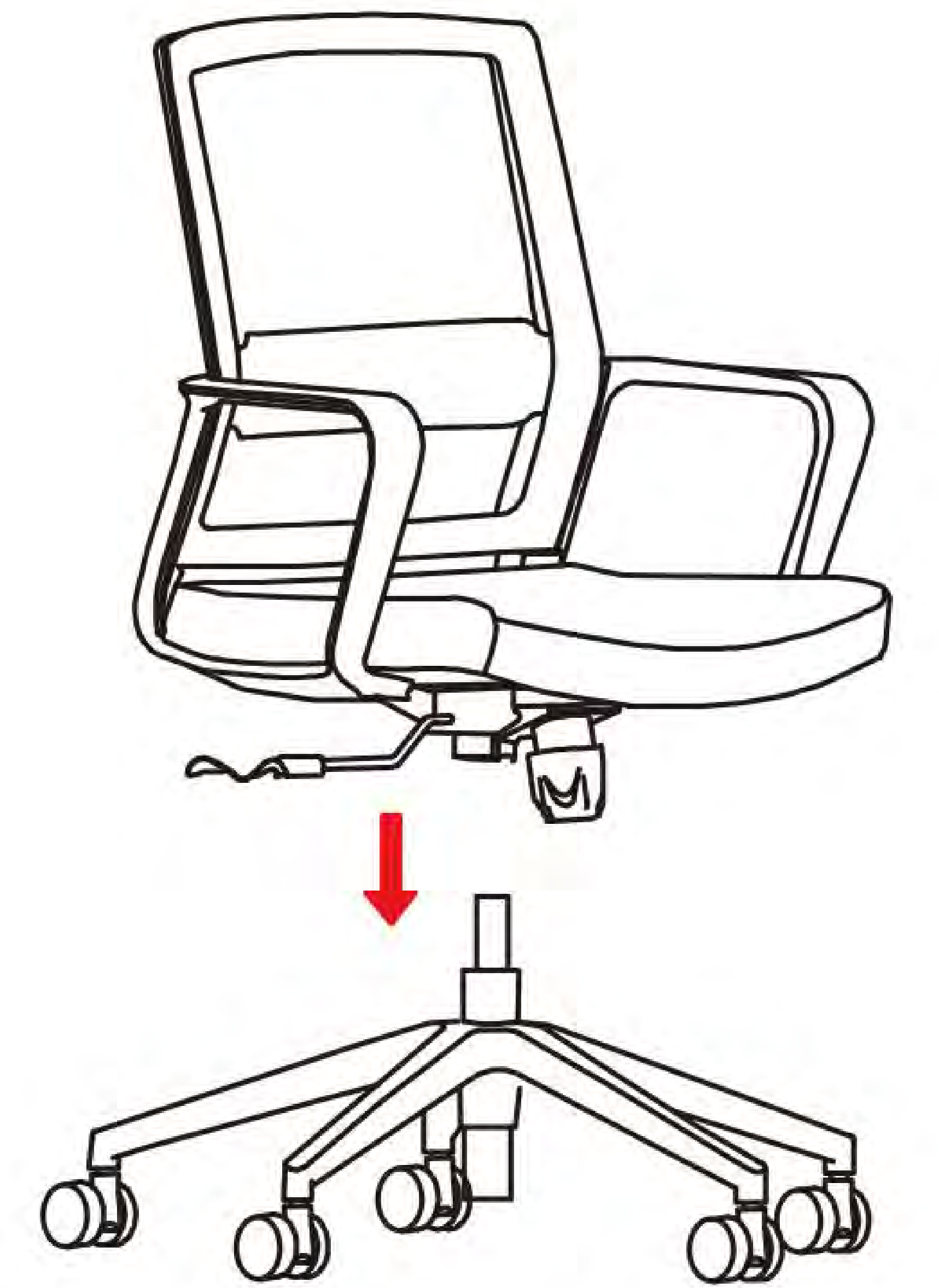
Assembly Instructions LIVIA Office Chair



PLEASE NOTE: Check that you have received all components and hardware before assembling. If you are missing any parts, contact your retailer.



Step 4



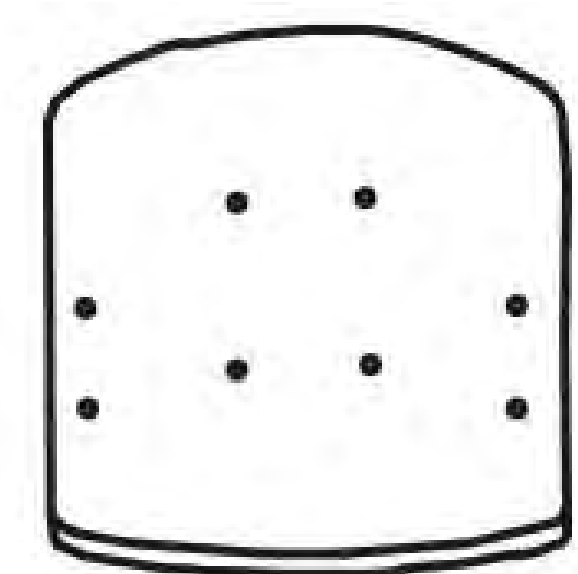
Step 5



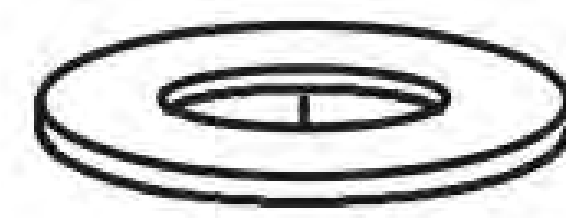
A (1pcs)



B (2pcs)
Lift&Right



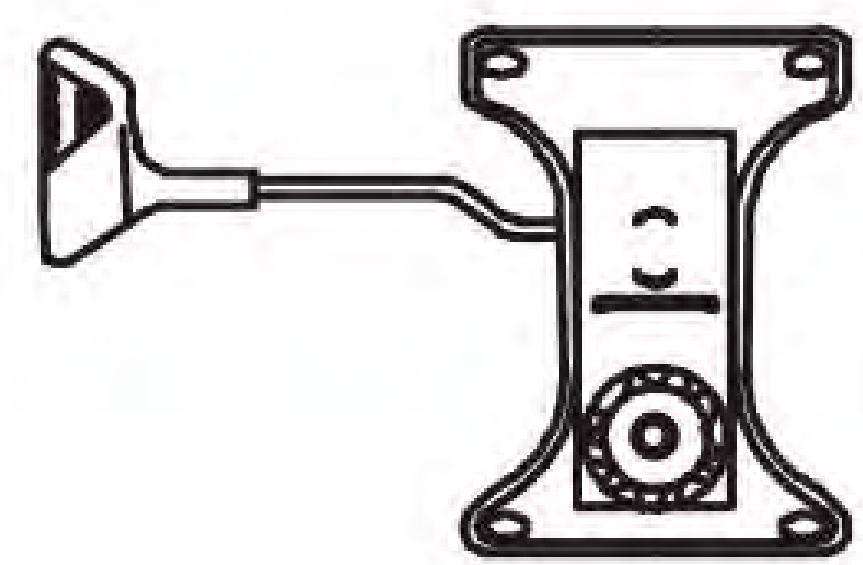
C (1pcs)



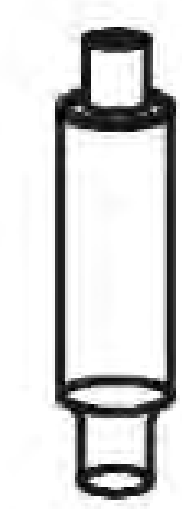
D (4pcs)
M6



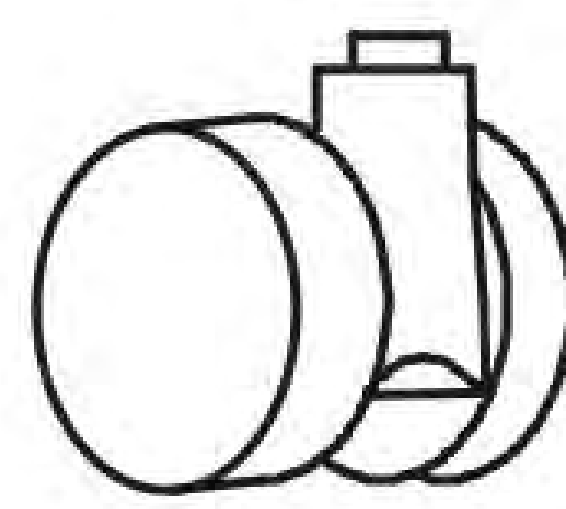
E (1pcs)



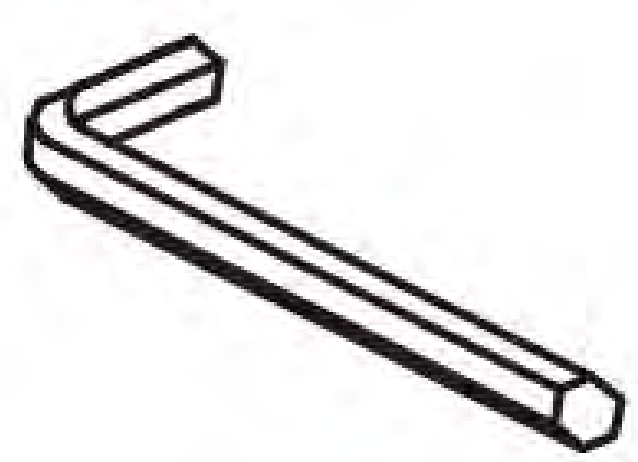
F (1pcs)



G (1pcs)



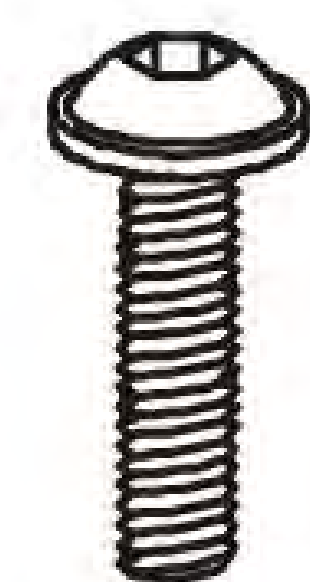
H (5pcs)



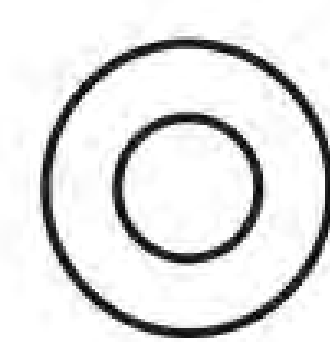
I (1pcs)
5mm



J (6pcs)
M6*20cm



K (4pcs)
M6*30cm



L (4pcs)
M8



During assembly, hand tighten screws only. When the screws are in place, tighten completely.

Function Description

