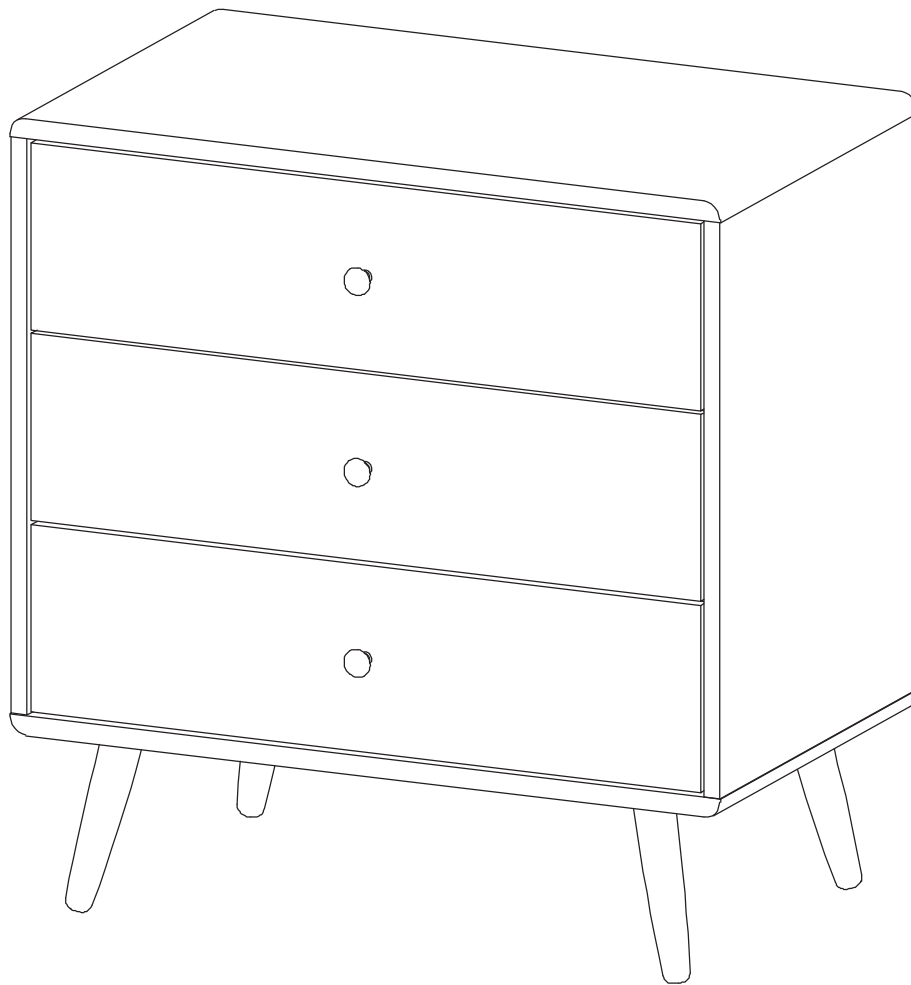


ASSEMBLY INSTRUCTIONS

MOD-7018

V0.09.28.21



Questions? Contact us!

609.256.9000 • cs@modway.com
www.modway.com

*modway



Read through all of the instructions before starting



Care instructions are listed in the last step of this manual



Approx. 90 minutes assembly time



Make sure you have all parts and components before discarding any packing materials



2 people recommended for assembly

Only use hand tools to assemble this item. Do not use power tools. Do not tighten bolts or screws completely until all hardware is lined up and inserted into the holes.

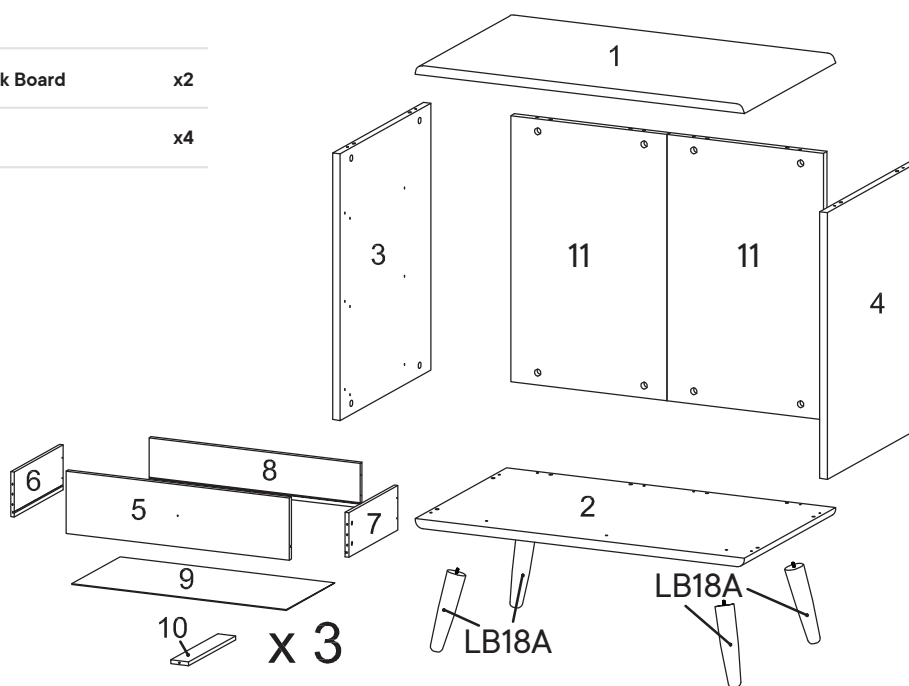
Do not over-tighten screws and bolts to avoid stripping the hardware or cracking the item.

Assemble your item on a flat, carpeted area, with plenty of space to work. This will prevent damage and scratches to your floors or the item while you're assembling the product.

Keep all components and packaging out of reach of children or animals to avoid risk of choking or suffocation.

Furniture components:

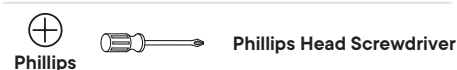
1	Top Board	x1	11	Back Board	x2
2	Bottom Board	x1	LB18A	Leg	x4
3	Side Board Left	x1			
4	Side Board Right	x1			
5	Front Drawer	x3			
6	Side Drawer Left	x3			
7	Side Drawer Right	x3			
8	Back Drawer	x3			
9	Bottom Drawer	x3			
10	Support Drawer	x3			



Provided hardware:

A		Cam Bolt $\varnothing 6 \times 35$ mm	x31	J		Screw M 4.5 x 12.5 mm	x20
B		Cam Lock $\varnothing 15$ mm	x16	K		Screw M 6.4 x 25 mm	x3
C		Cam Lock $\varnothing 12$ mm	x15	L		Wedge	x12
D		Wood Dowel $\varnothing 8 \times 30$ mm	x16	M		Screw M 3.5 x 15.5 mm	x12
E		Wood Dowel $\varnothing 6 \times 30$ mm	x6	N		Screw M 4 x 22 mm	x3
F		Allen Key	x1	O		Handle	x3
G		Screw M 6 x 10.5 mm	x18	PM1		Mounting Plate	x4
H		Screw M 3.5 x 13 mm	x18	ST74		Anti Deflection Bar	x1
I		Screw M 8 x 39 mm	x18	RM35A		Drawer Runner	x3

What you need:



Wait!

Missing parts or hardware? Need assistance?
Contact us before returning your item. We're here to help!
609.256.9000 • cs@modway.com

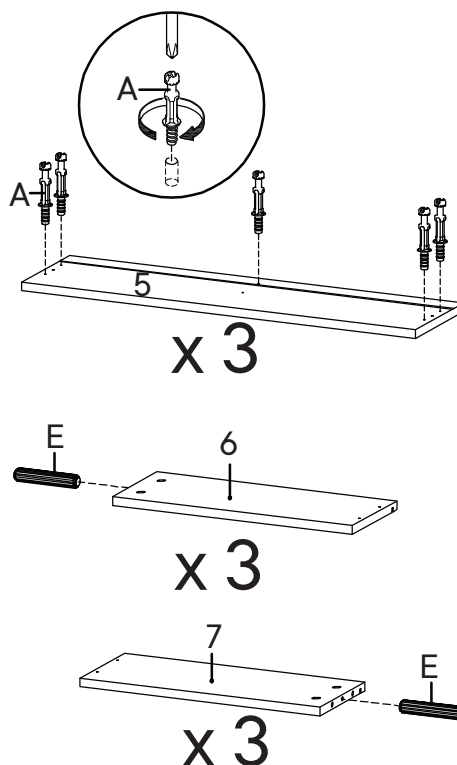
Step 1

HARDWARE

- A** Cam Bolt Ø6 x 35 mm x15
- E** Wood Dowel Ø6 x 30 mm x6

COMPONENTS

- 5** Front Drawer x3
- 6** Side Drawer Left x3
- 7** Side Drawer Right x3



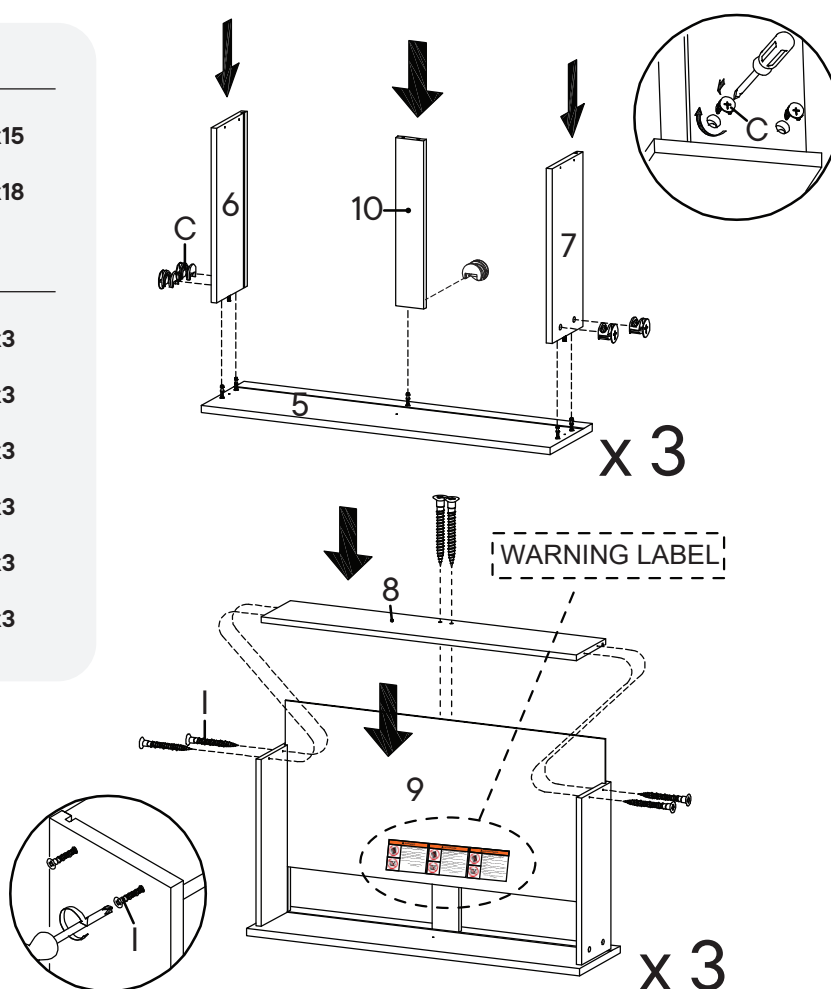
Step 2

HARDWARE

- C** Cam Lock Ø12 mm x15
- I** Screw M 8 x 39 mm x18

COMPONENTS

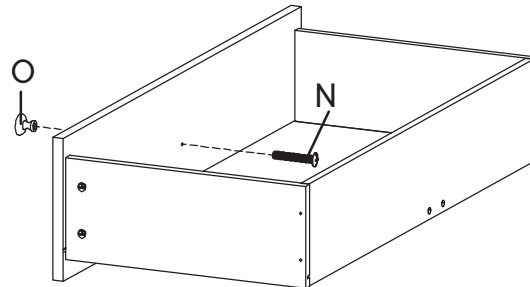
- 5** Front Drawer x3
- 6** Side Drawer Left x3
- 7** Side Drawer Right x3
- 8** Back Drawer x3
- 9** Bottom Drawer x3
- 10** Support Drawer x3



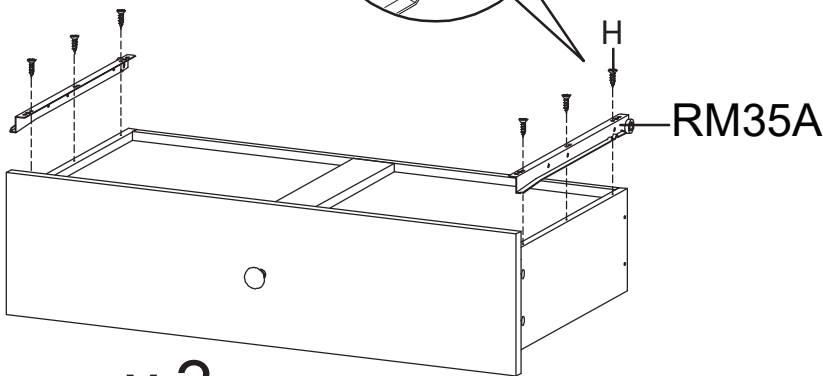
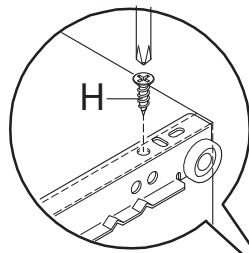
Step 3

HARDWARE

- H** Screw M 3.5 x 13 mm x18
- O** Handle x3
- N** Screw M 4 x 22 mm x3
- RM35A** Drawer Runner x3



x 3

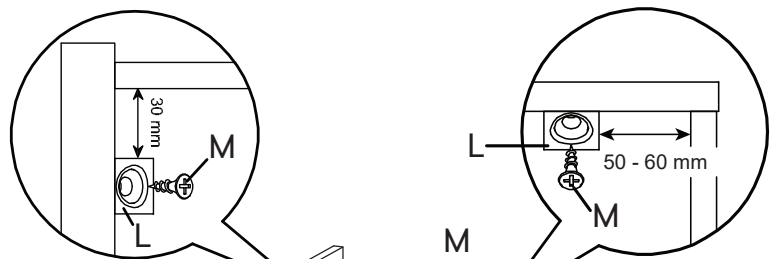


x 3

Step 4

HARDWARE

- L** Wedge x12
- M** Screw 3.5 x 15.5 mm x12



x 3

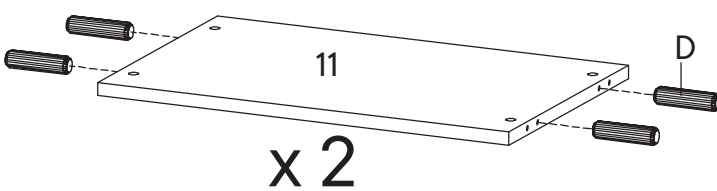
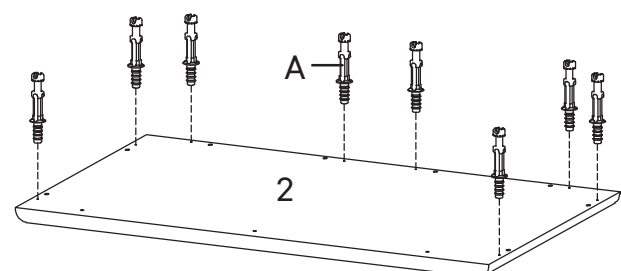
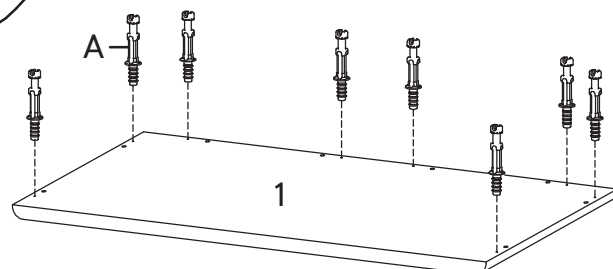
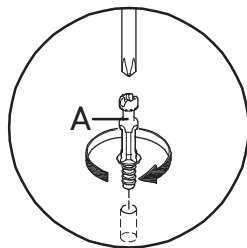
Step 5

HARDWARE

- A** Cam Bolt $\varnothing 6 \times 35$ mm x16
- D** Wood Dowel $\varnothing 8 \times 30$ mm x8

COMPONENTS

- 1** Top Board x1
- 2** Bottom Board x1
- 11** Back Board x2



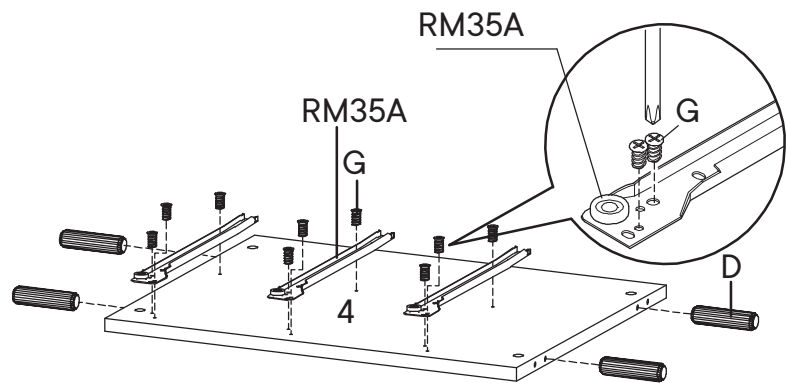
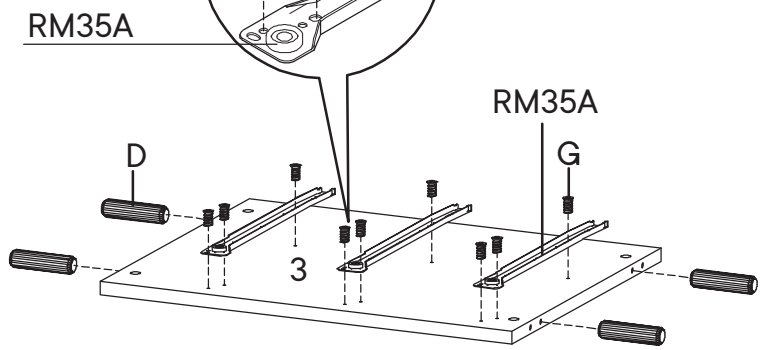
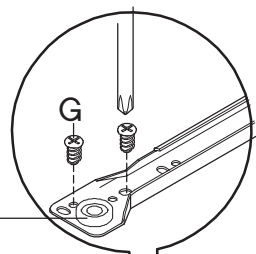
Step 6

HARDWARE

- D** Wood Dowel $\varnothing 8 \times 30$ mm x8
- G** Screw M 6 x 10.5 mm x18
- RM35A** Drawer Runner x3

COMPONENTS

- 3** Side Board Left x1
- 4** Side Board Right x1



Step 7

HARDWARE

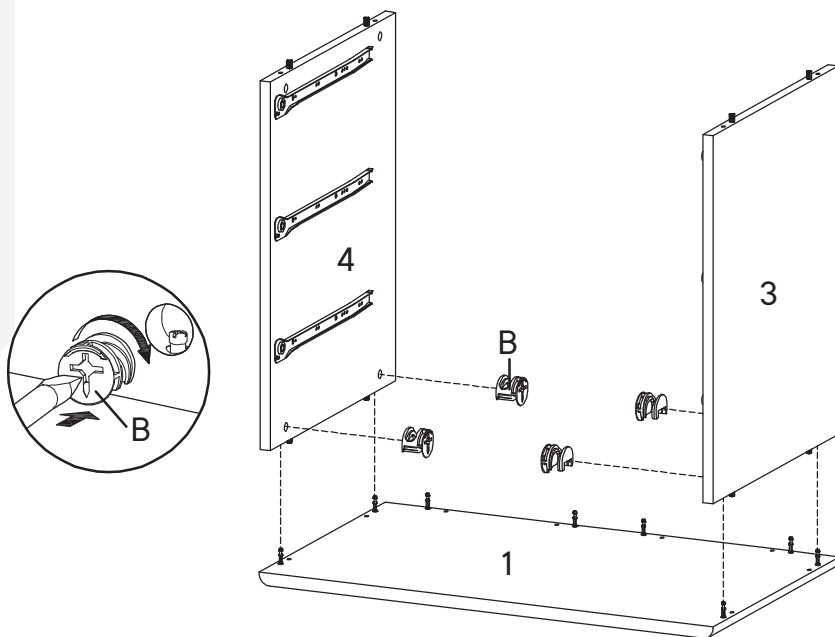
B Cam Lock Ø15 mm x4

COMPONENTS

1 Top Board x1

3 Side Board Left x1

4 Side Board Right x1



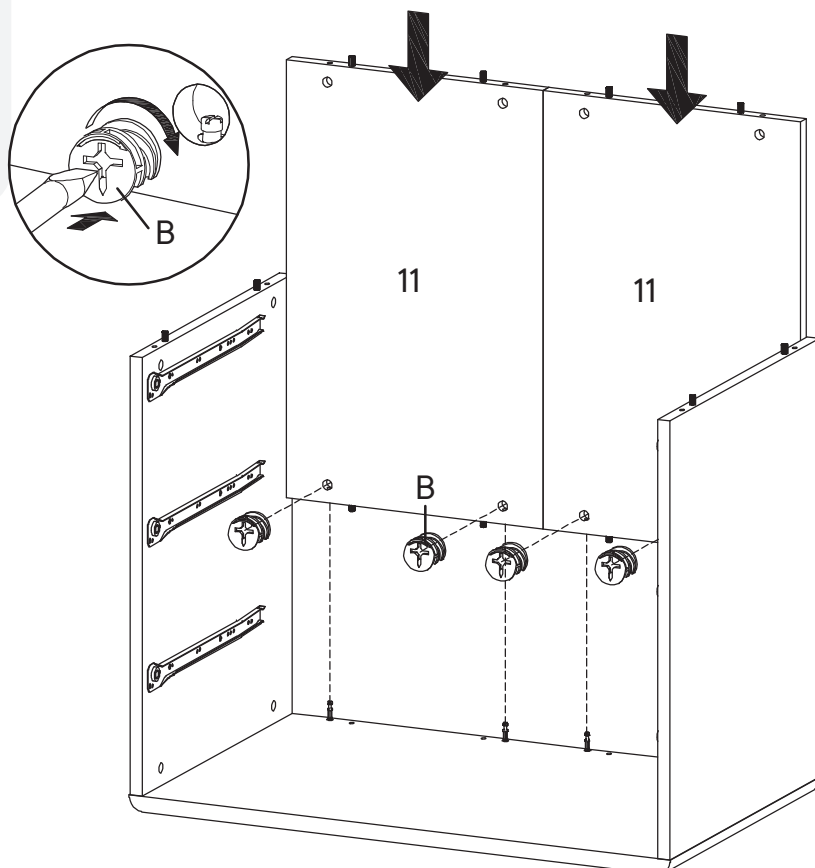
Step 8

HARDWARE

B Cam Lock Ø15 mm x4

COMPONENTS

11 Back Board x2



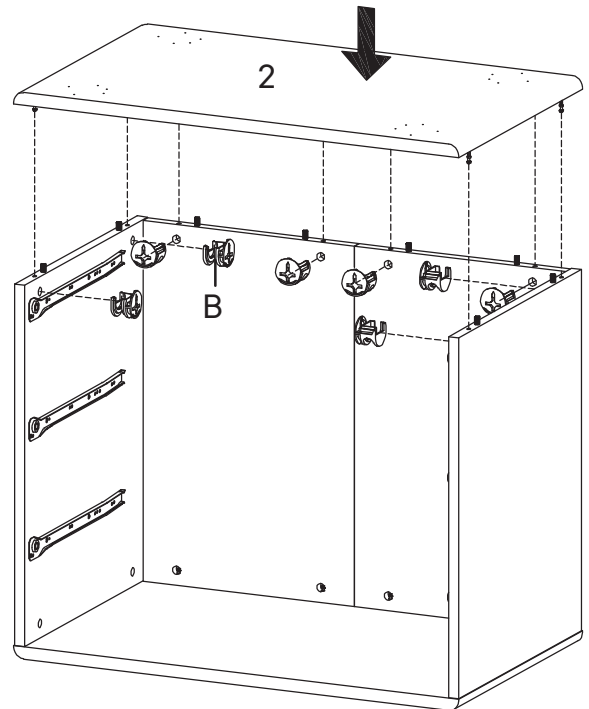
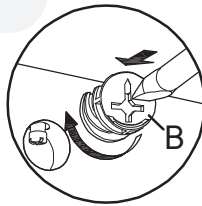
Step 9

HARDWARE

B Cam Lock Ø15 mm x8

COMPONENTS

2 Bottom Board x1

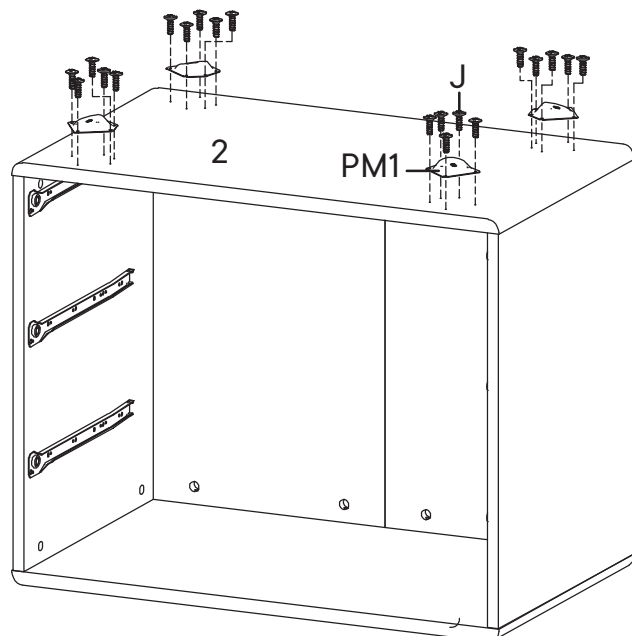
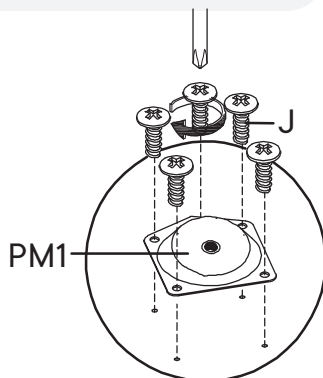


Step 10

HARDWARE

J Screw M 4.5 x 12.5 mm x20

PM1 Mounting Plate x4

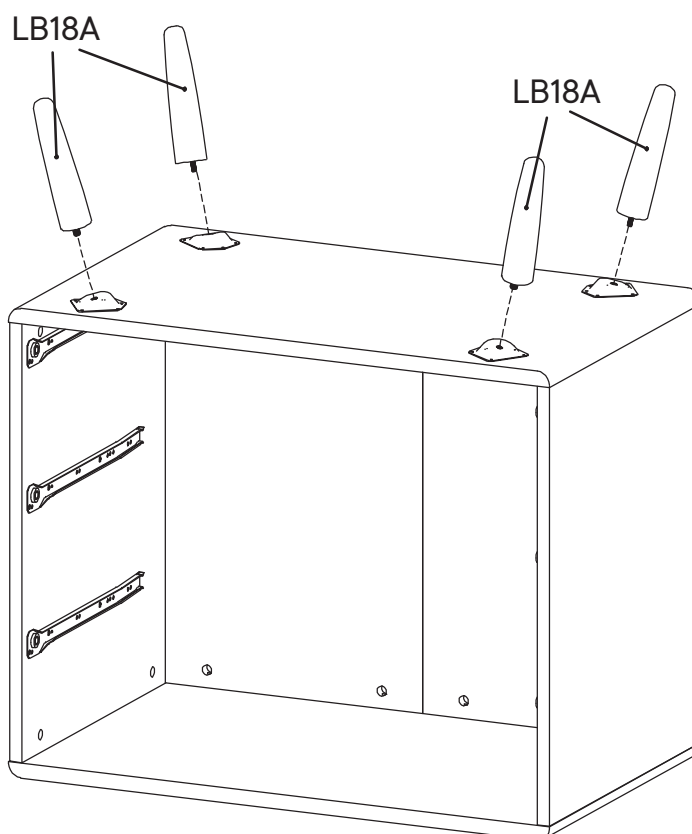
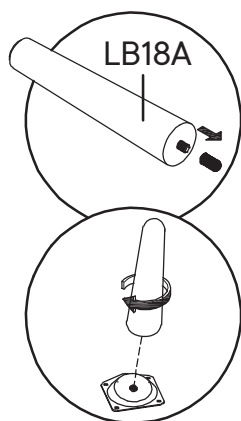


Step 11

COMPONENTS

LB18A Leg

x4



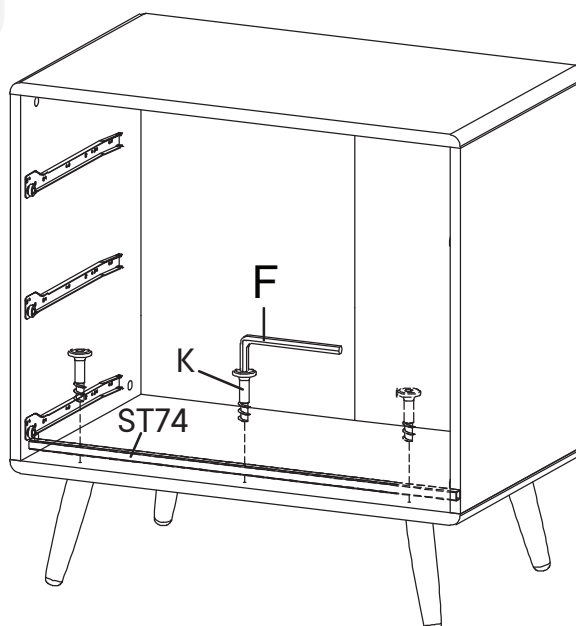
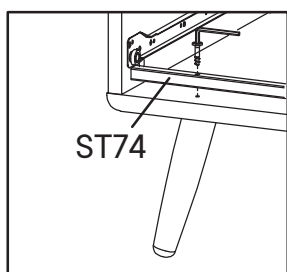
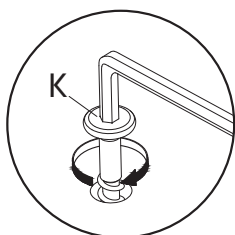
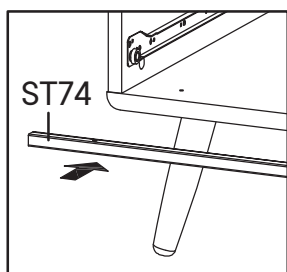
Step 12

HARDWARE

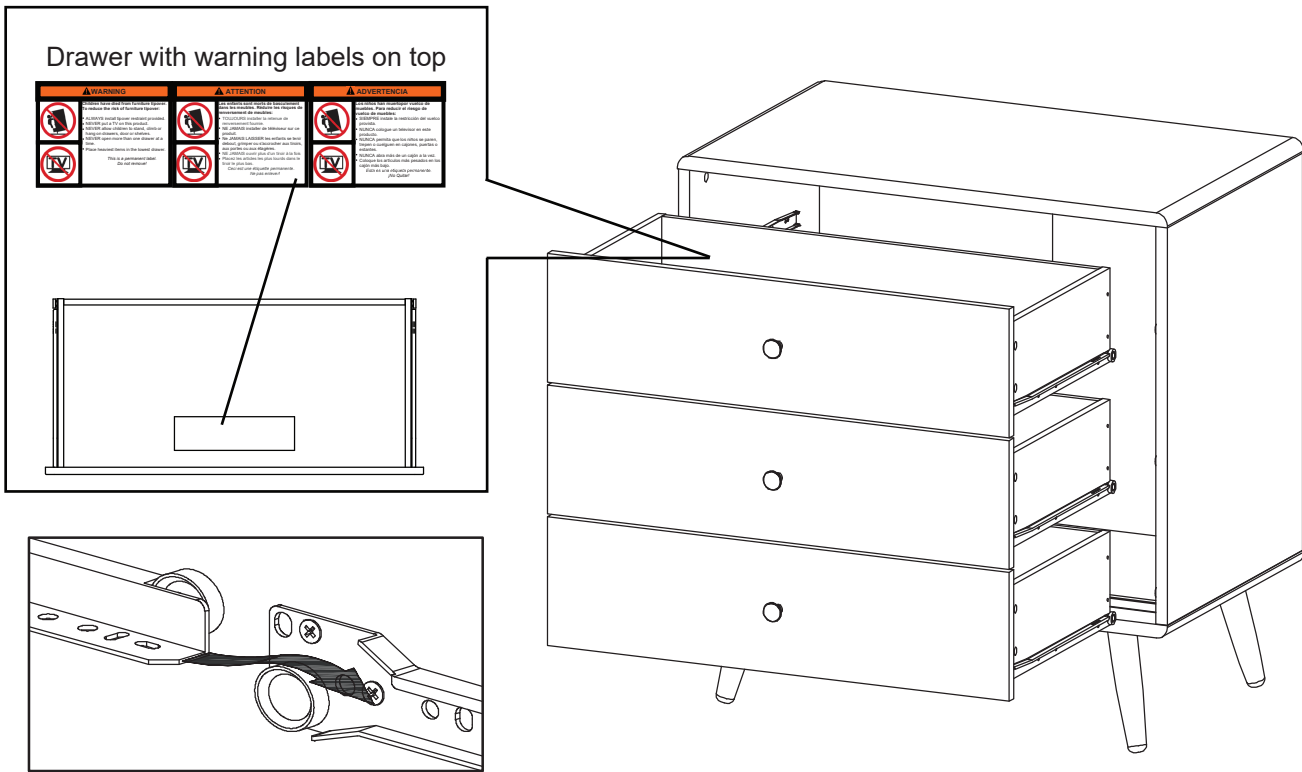
F Allen Key x1

K Screw M 6.4 x 25 mm x3

ST74 Anti Deflection Bar x1



Step 13



Great job!

Chest Of Drawers assembly is complete.

♥ CARING FOR YOUR ITEM

Indoor use only.

Not contract grade.

Clean using a non-abrasive cloth and a mild cleaner.

Never use harsh chemicals, as they could damage the finish or integrity of the item.



CONNECT WITH US!   

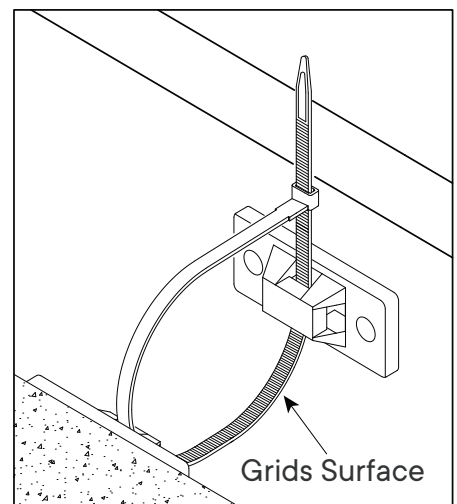
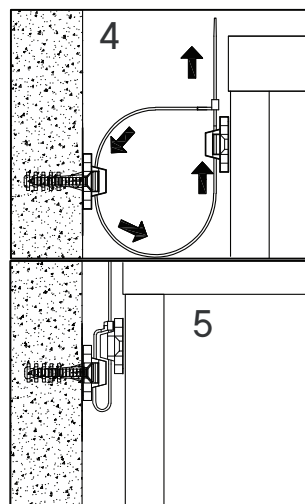
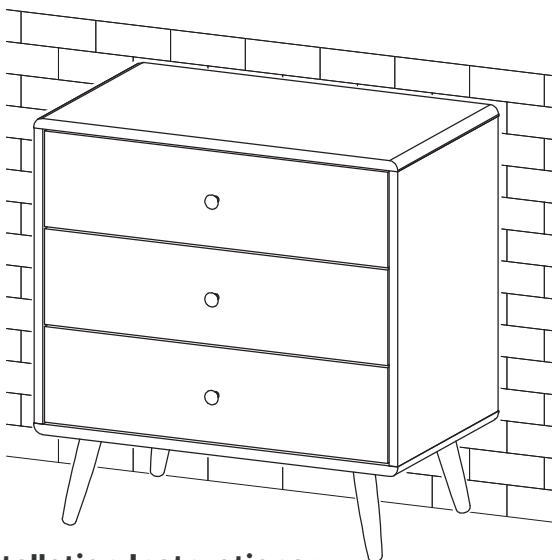
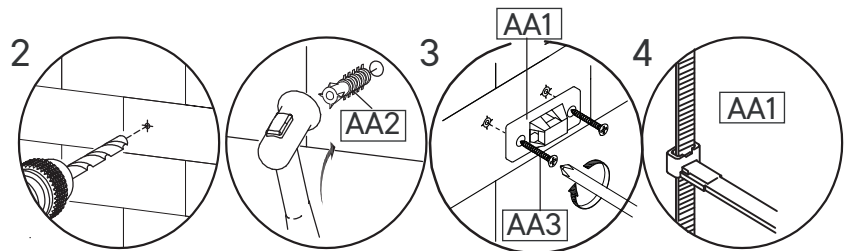
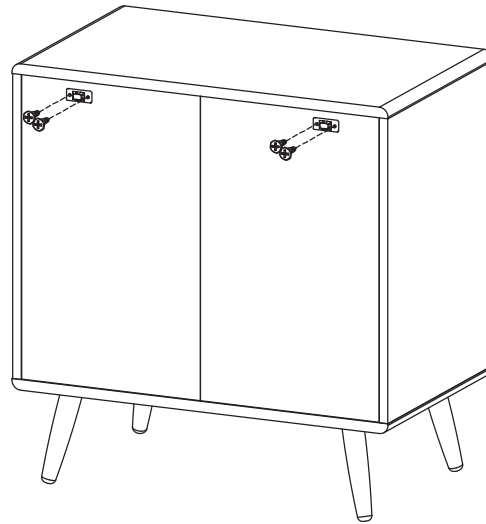
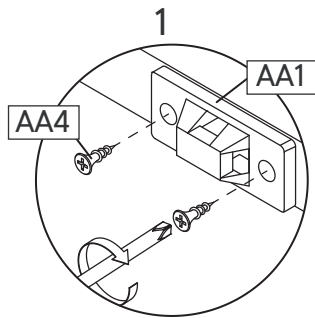
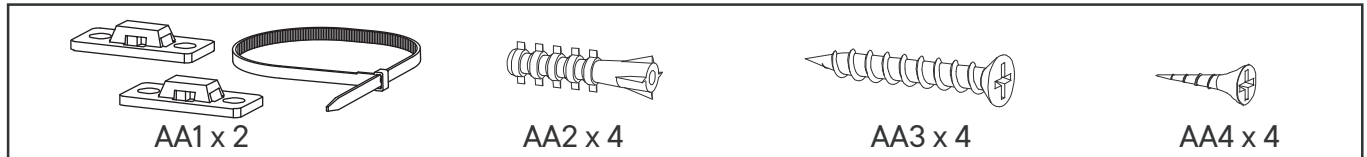
Tag us @modway_furniture and #modway for a chance to be featured.

TIPPING RESTRAINTS KIT INSTALLATION GUIDANCE

Different wall materials require unique wall fasteners.

The wall plugs (AA2) and screws (AA3) are designed for fixing to concrete walls only.

Please consult your local hardware store to ensure you are using the correct hardware for you wall type.



Installation Instructions :

1. Attach bracket (AA1) securely to the back top of the furniture using screw (AA4) provided. Allow 8 - 10 cm from each side.
2. Please make a hole for wall plugs position on the wall and minimum 15 mm below bracket secured to the back of unit attach the wall plugs (AA2).
3. Locate the other bracket (AA1) on the wall over wall plugs (AA2). Place furniture into position so both brackets (AA1) are vertically in the line.
4. Lace the end of the restraints strap through the larger hole in each bracket. Ensure the restraints strap with grids surface facing the inner loops. Bring both ends together and slide the flat end through the locking end and draw it through until all slack is removed.
5. Make sure that the strap is securely laced & locked.