

ASSEMBLY INSTRUCTIONS

MOD-7019

V0.09.28.21



Questions? Contact us!

609.256.9000 • cs@modway.com
www.modway.com

*modway

Let's get started!

*modway



Read through all of the instructions before starting



Care instructions are listed in the last step of this manual



Approx. 90 minutes assembly time



Make sure you have all parts and components before discarding any packing materials



2 people recommended for assembly

Only use hand tools to assemble this item. Do not use power tools. Do not tighten bolts or screws completely until all hardware is lined up and inserted into the holes.

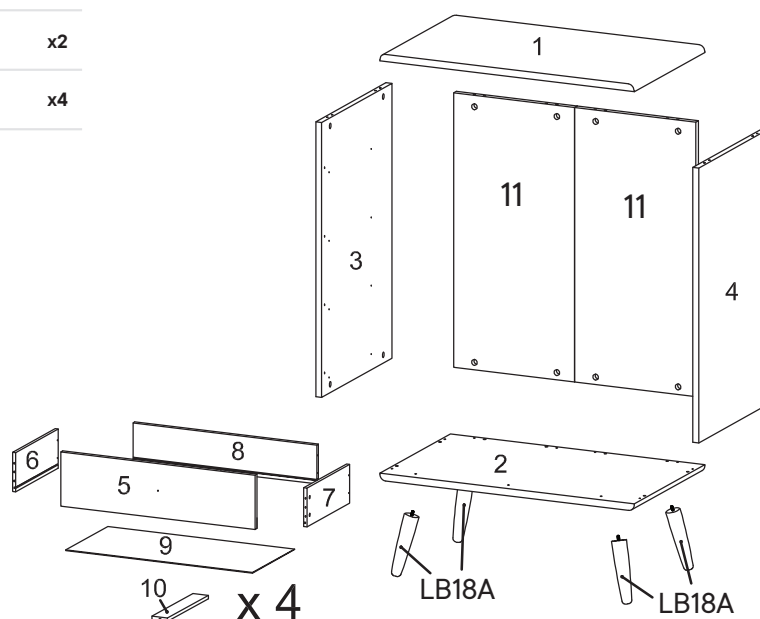
Do not over-tighten screws and bolts to avoid stripping the hardware or cracking the item.

Assemble your item on a flat, carpeted area, with plenty of space to work. This will prevent damage and scratches to your floors or the item while you're assembling the product.

Keep all components and packaging out of reach of children or animals to avoid risk of choking or suffocation.

Furniture components:

1	Top Board	x1	11	Back Board	x2
2	Bottom Board	x1	LB18A	Leg	x4
3	Side Board Left	x1			
4	Side Board Right	x1			
5	Front Drawer	x4			
6	Side Drawer Left	x4			
7	Side Drawer Right	x4			
8	Back Drawer	x4			
9	Bottom Drawer	x4			
10	Support Drawer	x4			



Provided hardware:

A		Cam Bolt Ø6 x 35 mm	x36	J		Screw M 4.5 x 12.5 mm	x20
B		Cam Lock Ø15 mm	x16	K		Screw M 6.4 x 25 mm	x3
C		Cam Lock Ø12 mm	x20	L		Wedge	x16
D		Wood Dowel Ø8 x 30 mm	x16	M		Screw M 3.5 x 15.5 mm	x16
E		Wood Dowel Ø6 x 30 mm	x8	N		Screw M 4 x 22 mm	x4
F		Allen Key	x1	O		Handle	x4
G		Screw M 6 x 10.5 mm	x24	PM1		Mounting Plate	x4
H		Screw M 3.5 x 13 mm	x24	ST74		Anti Deflection Bar	x1
I		Screw M 8 x 39 mm	x24	RM35A		Drawer Runner	x4

What you need:

Phillips Head Screwdriver

Wait!

Missing parts or hardware? Need assistance?
Contact us before returning your item. We're here to help!
609.256.9000 • cs@modway.com

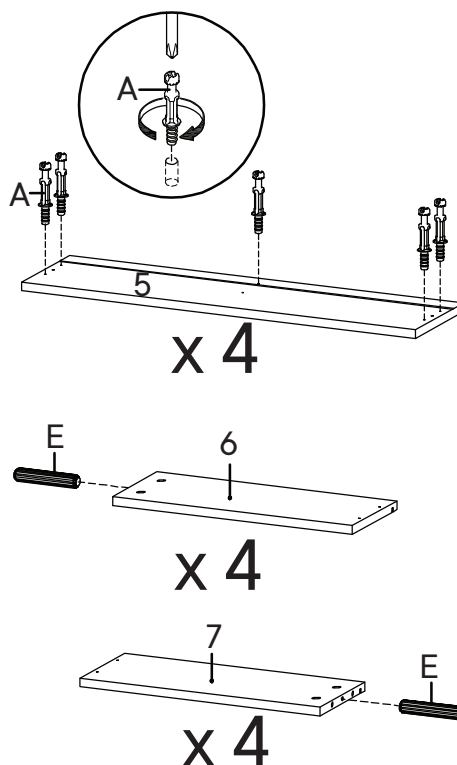
Step 1

HARDWARE

- A** Cam Bolt $\varnothing 6 \times 35$ mm x20
- E** Wood Dowel $\varnothing 6 \times 30$ mm x8

COMPONENTS

- 5** Front Drawer x4
- 6** Side Drawer Left x4
- 7** Side Drawer Right x4



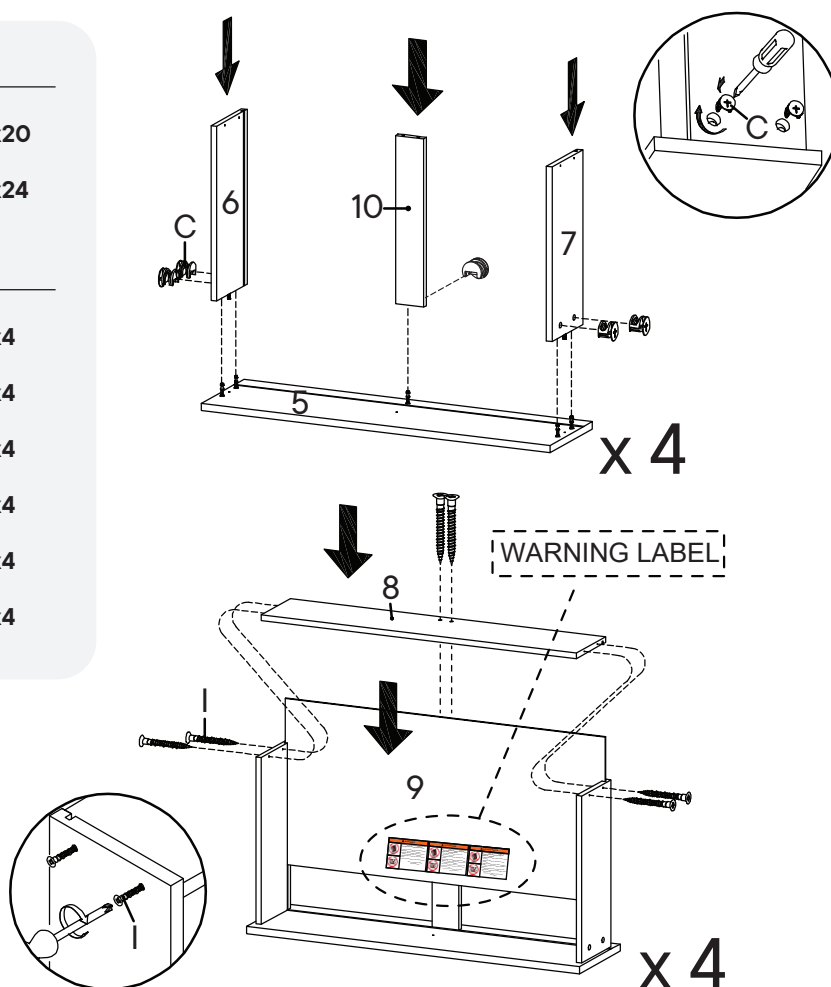
Step 2

HARDWARE

- C** Cam Lock $\varnothing 12$ mm x20
- I** Screw M 8 x 39 mm x24

COMPONENTS

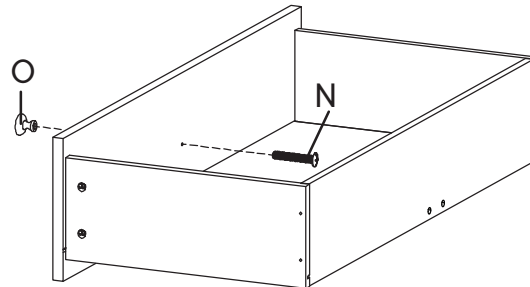
- 5** Front Drawer x4
- 6** Side Drawer Left x4
- 7** Side Drawer Right x4
- 8** Back Drawer x4
- 9** Bottom Drawer x4
- 10** Support Drawer x4



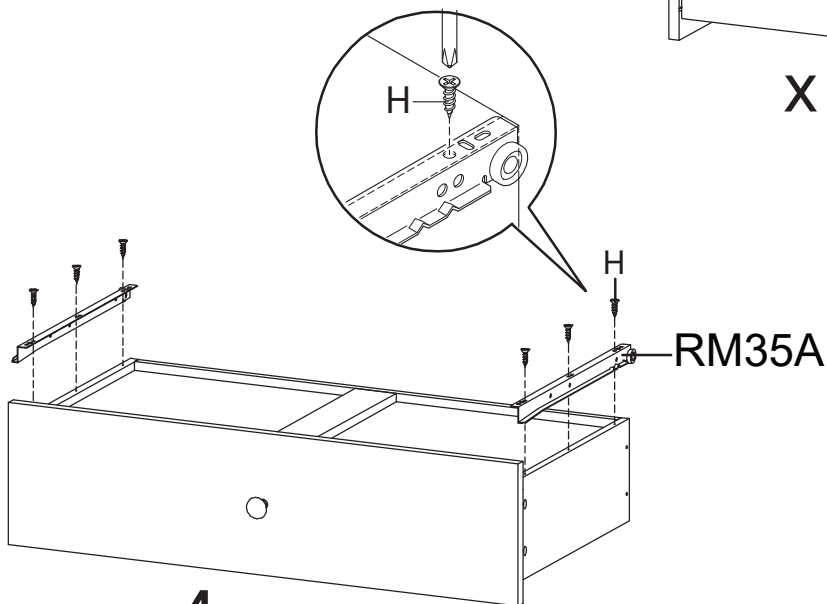
Step 3

HARDWARE

- H** Screw M 3.5 x 13 mm x24
- O** Handle x4
- N** Screw M 4 x 22 mm x4
- RM35A** Drawer Runner x4



x 4

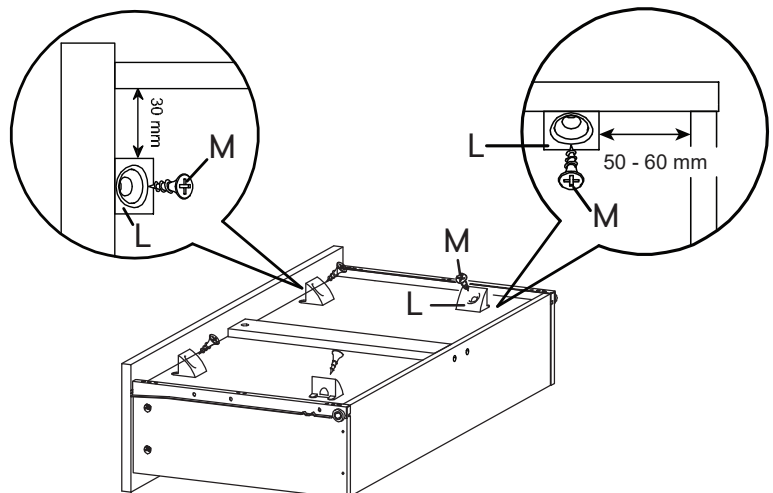


x 4

Step 4

HARDWARE

- L** Wedge x16
- M** Screw 3.5 x 15.5 mm x16



x 4

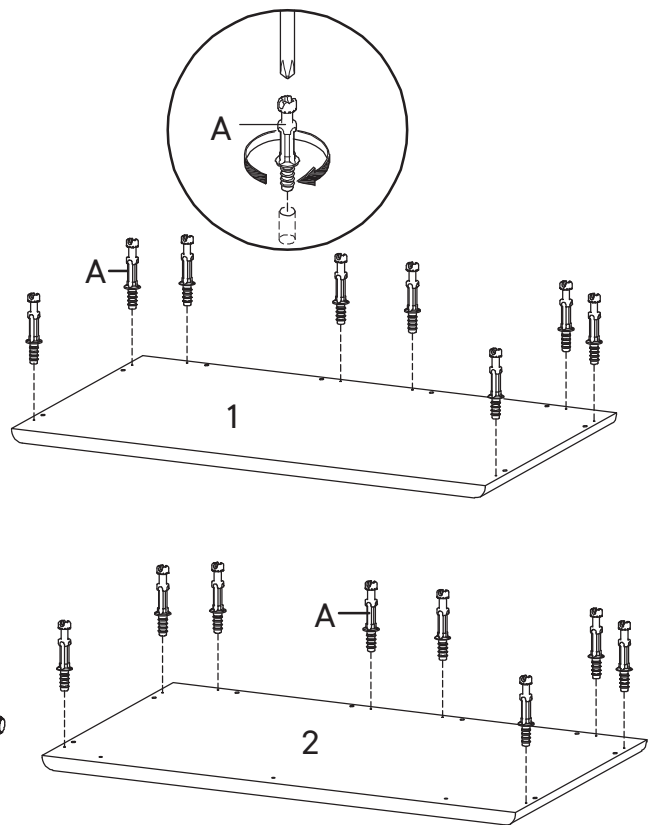
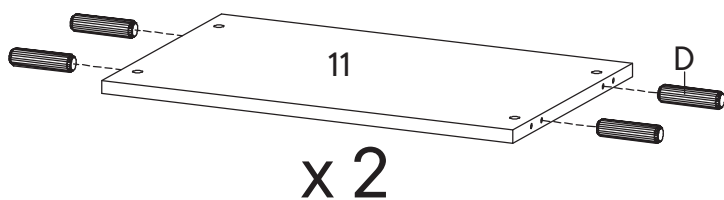
Step 5

HARDWARE

- A** Cam Bolt Ø6 x 35 mm x16
- D** Wood Dowel Ø8 x 30 mm x8

COMPONENTS

- 1** Top Board x1
- 2** Bottom Board x1
- 11** Back Board x2



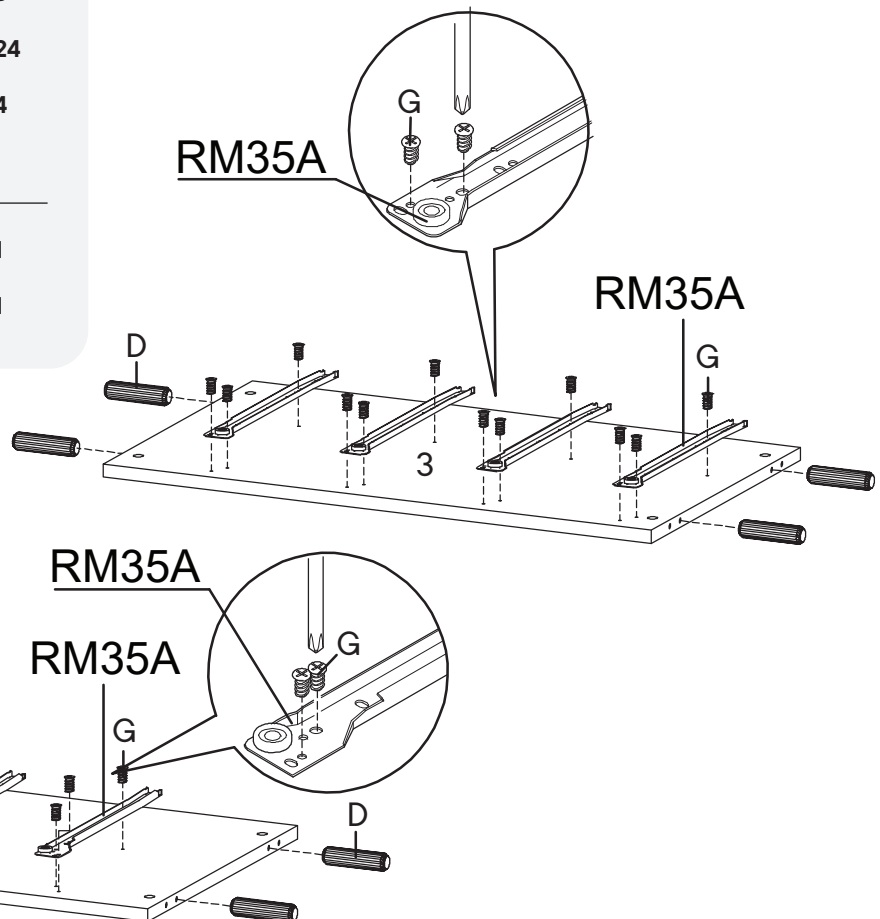
Step 6

HARDWARE

- D** Wood Dowel Ø8 x 30 mm x8
- G** Screw M 6 x 10.5 mm x24
- RM35A** Drawer Runner x4

COMPONENTS

- 3** Side Board Left x1
- 4** Side Board Right x1



Step 7

HARDWARE

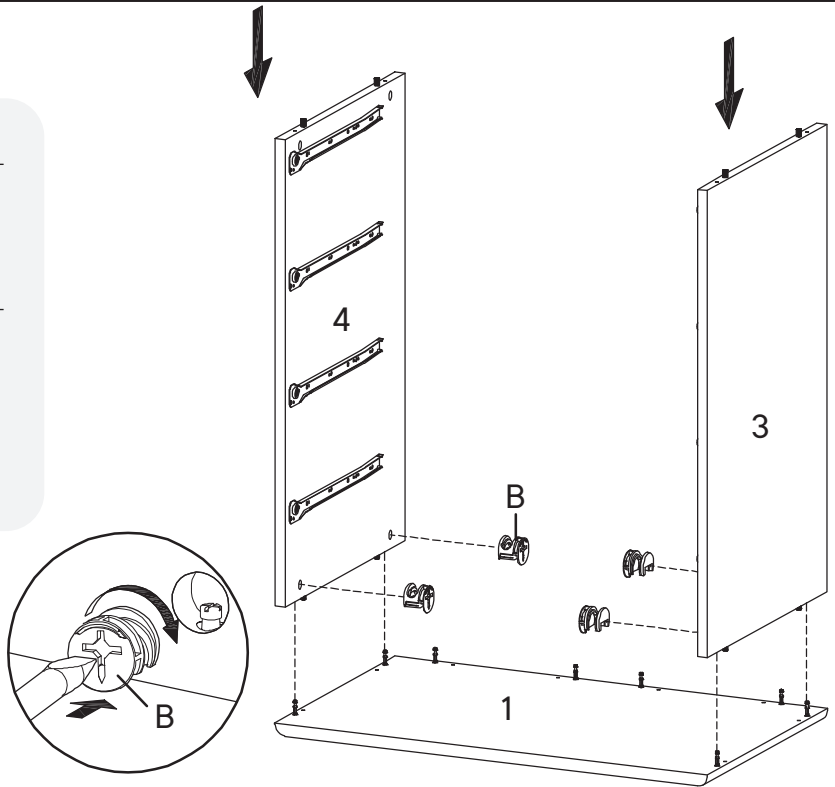
B Cam Lock Ø15 mm x4

COMPONENTS

1 Top Board x1

3 Side Board Left x1

4 Side Board Right x1



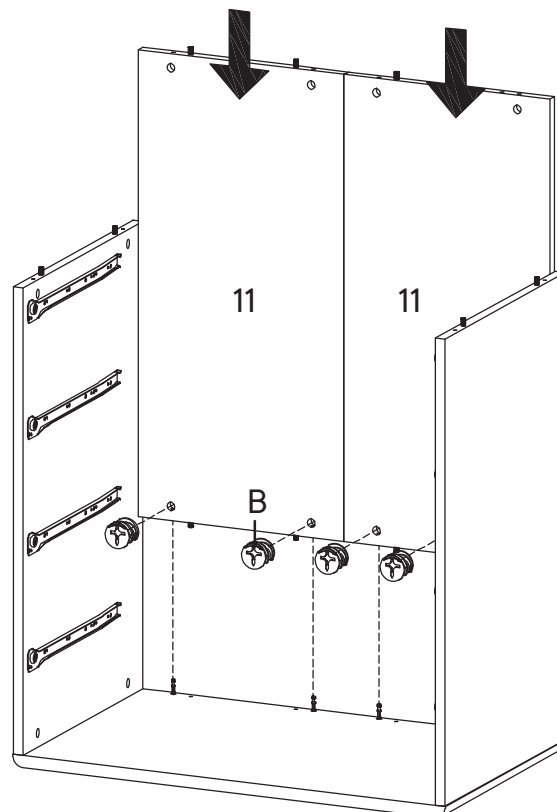
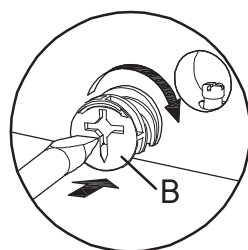
Step 8

HARDWARE

B Cam Lock Ø15 mm x4

COMPONENTS

11 Back Board x2



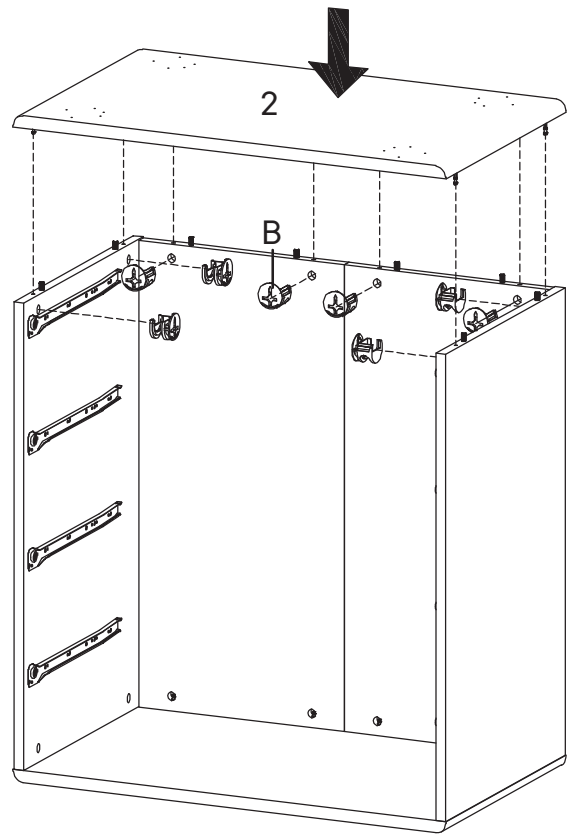
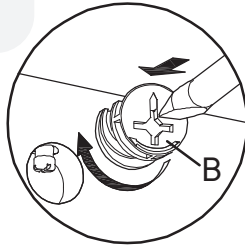
Step 9

HARDWARE

B Cam Lock Ø15 mm x8

COMPONENTS

2 Bottom Board x1

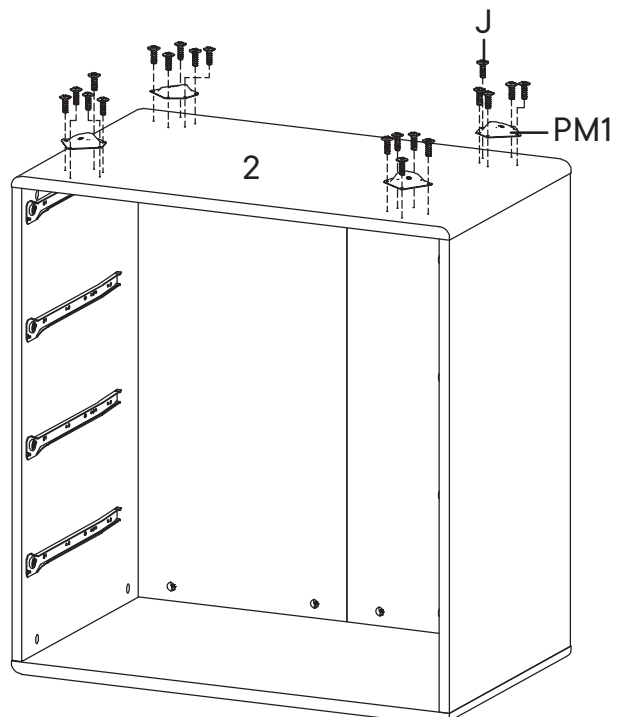
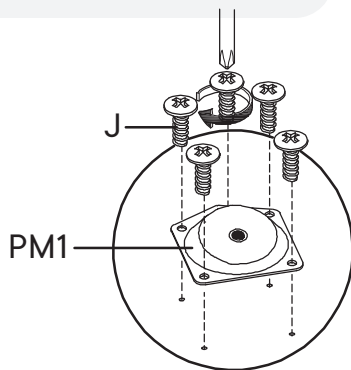


Step 10

HARDWARE

J Screw M 4.5 x 12.5 mm x20

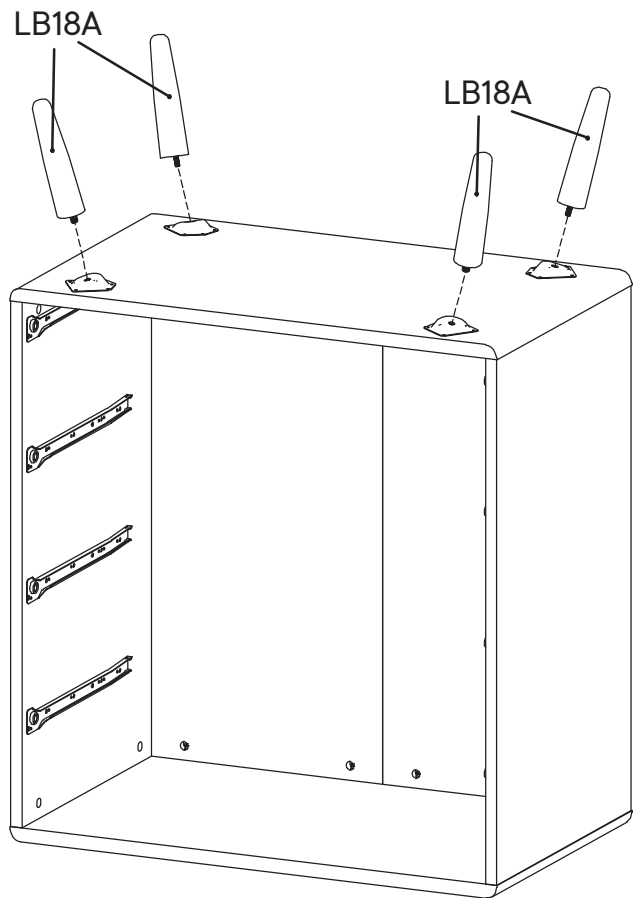
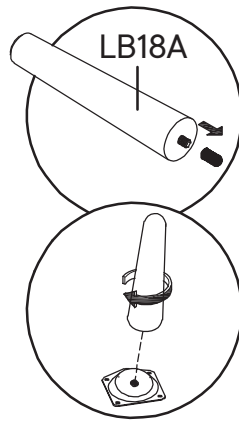
PM1 Mounting Plate x4



Step 11

COMPONENTS

LB18A Leg x4



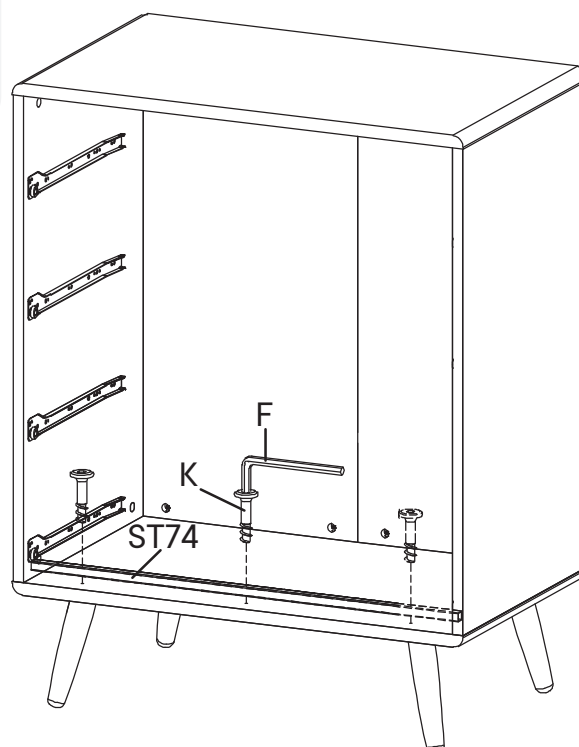
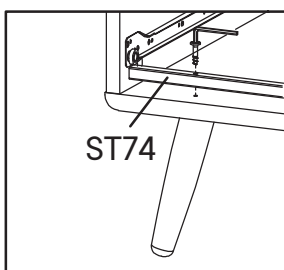
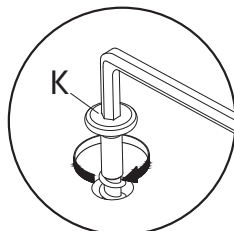
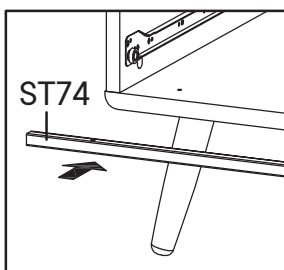
Step 12

HARDWARE

F Allen Key x1

K Screw M 6.4 x 25 mm x3

ST74 Anti Deflection Bar x1

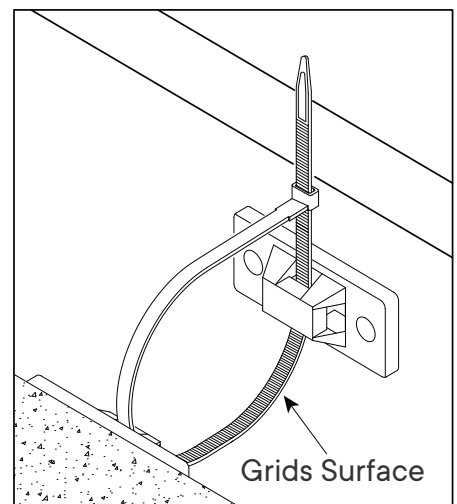
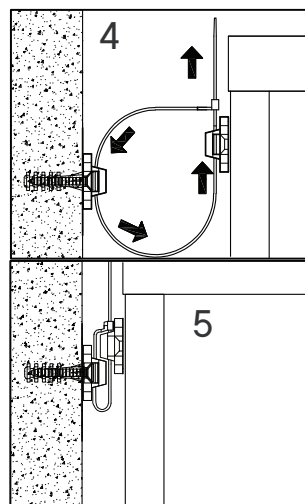
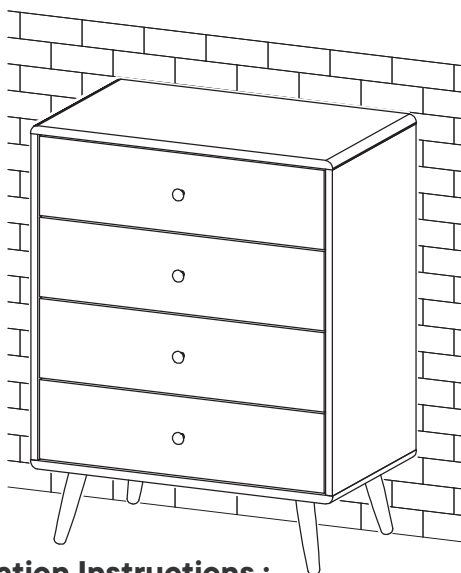
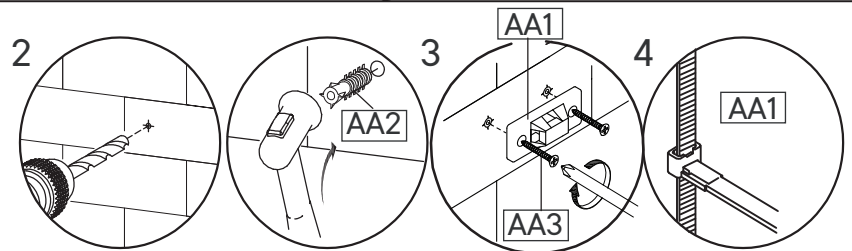
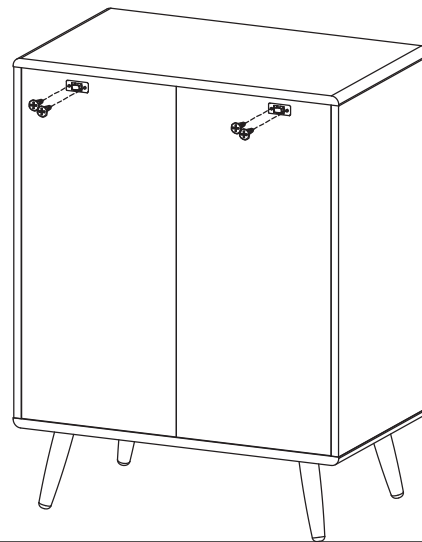
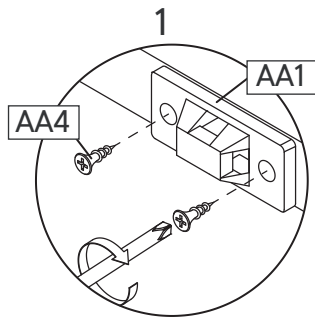
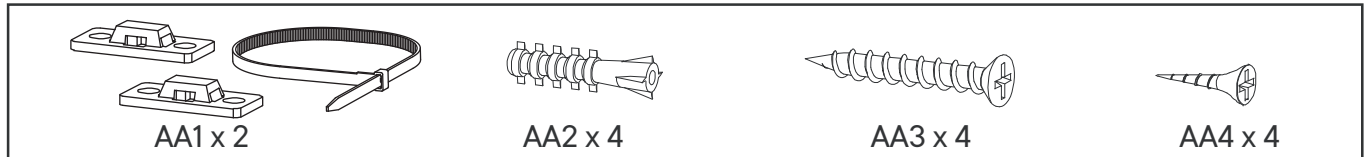


TIPPING RESTRAINTS KIT INSTALLATION GUIDANCE

Different wall materials require unique wall fasteners.

The wall plugs (AA2) and screws (AA3) are designed for fixing to concrete walls only.

Please consult your local hardware store to ensure you are using the correct hardware for you wall type.



Installation Instructions :

1. Attach bracket (AA1) securely to the back top of the furniture using screw (AA4) provided. Allow 8 - 10 cm from each side.
2. Please make a hole for wall plugs position on the wall and minimum 15 mm below bracket secured to the back of unit attach the wall plugs (AA2).
3. Locate the other bracket (AA1) on the wall over wall plugs (AA2). Place furniture into position so both brackets (AA1) are vertically in the line.
4. Lace the end of the restraints strap through the larger hole in each bracket. Ensure the restraints strap with grids surface facing the inner loops. Bring both ends together and slide the flat end through the locking end and draw it through until all slack is removed.
5. Make sure that the strap is securely laced & locked.