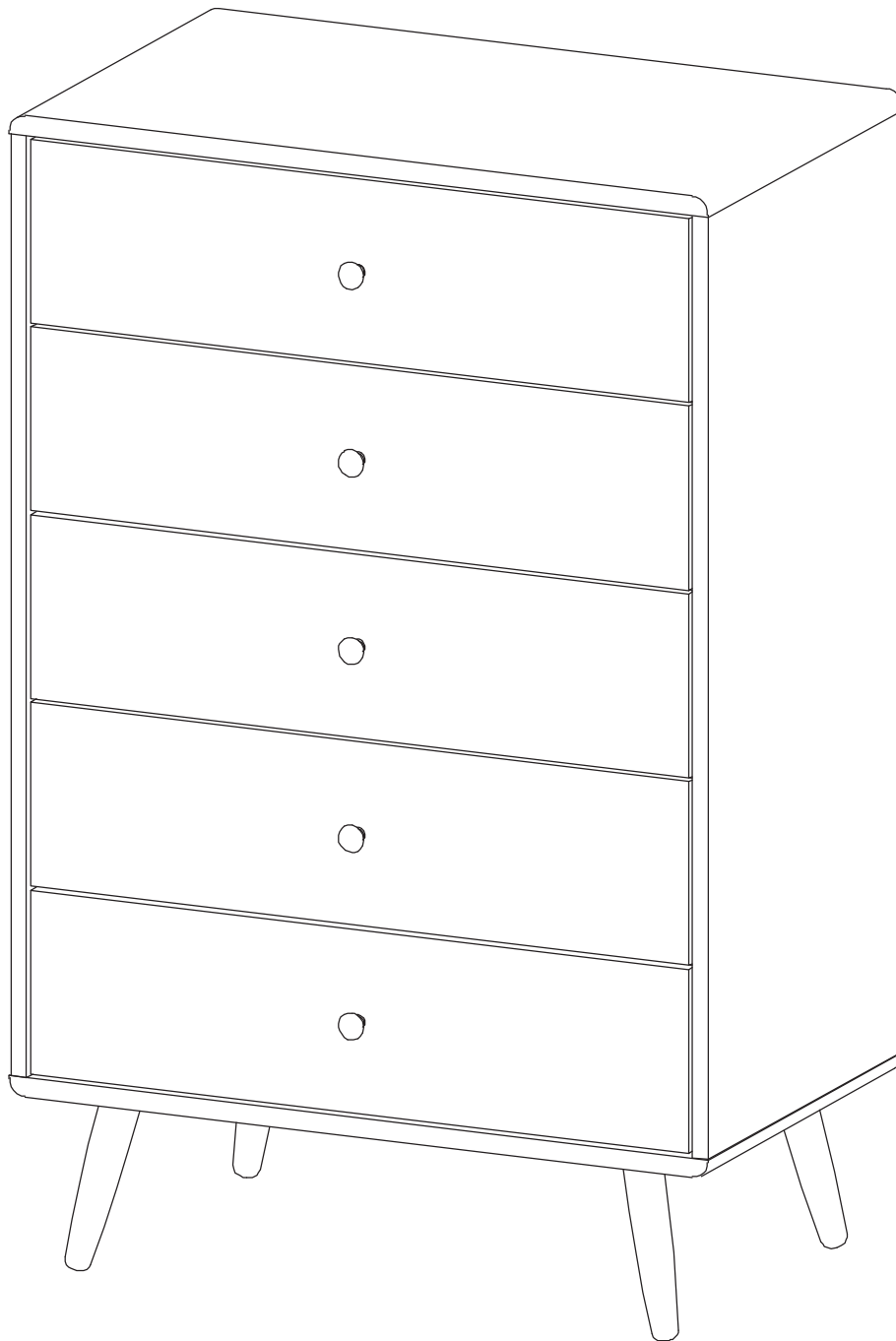


ASSEMBLY INSTRUCTIONS

MOD-7020

V0.09.28.21



Questions? Contact us!

609.256.9000 • cs@modway.com
www.modway.com

*modway

Let's get started!

*modway



Read through all of the instructions before starting



Care instructions are listed in the last step of this manual



Approx. 120 minutes assembly time



Make sure you have all parts and components before discarding any packing materials



2 people recommended for assembly

Only use hand tools to assemble this item. Do not use power tools. Do not tighten bolts or screws completely until all hardware is lined up and inserted into the holes.

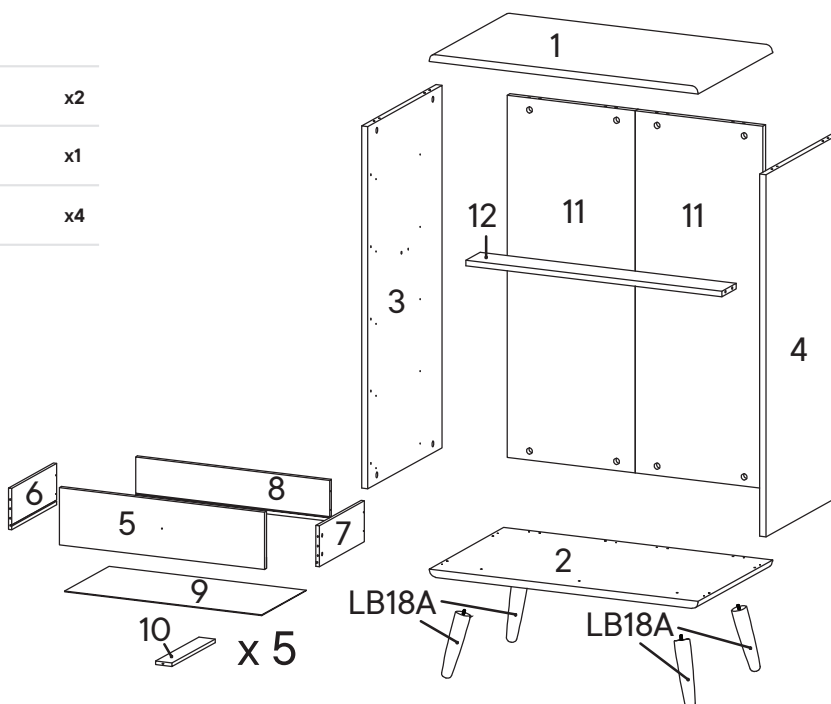
Do not over-tighten screws and bolts to avoid stripping the hardware or cracking the item.

Assemble your item on a flat, carpeted area, with plenty of space to work. This will prevent damage and scratches to your floors or the item while you're assembling the product.

Keep all components and packaging out of reach of children or animals to avoid risk of choking or suffocation.

Furniture components:

1	Top Board	x1	11	Back Board	x2
2	Bottom Board	x1	12	Support Board	x1
3	Side Board Left	x1	LB18A	Leg	x4
4	Side Board Right	x1			
5	Front Drawer	x5			
6	Side Drawer Left	x5			
7	Side Drawer Right	x5			
8	Back Drawer	x5			
9	Bottom Drawer	x5			
10	Support Drawer	x5			



Provided hardware:

A		Cam Bolt Ø6 x 35 mm	x43	J		Screw M 4.5 x 12.5 mm	x20
B		Cam Lock Ø15 mm	x18	K		Screw M 6.4 x 25 mm	x3
C		Cam Lock Ø12 mm	x25	L		Wedge	x20
D		Wood Dowel Ø8 x 30 mm	x18	M		Screw M 3.5 x 15.5 mm	x20
E		Wood Dowel Ø6 x 30 mm	x10	N		Screw M 4 x 22 mm	x5
F		Allen Key	x1	O		Handle	x5
G		Screw M 6 x 10.5 mm	x30	PM1		Mounting Plate	x4
H		Screw M 3.5 x 13 mm	x30	ST74		Anti Deflection Bar	x1
I		Screw M 8 x 39 mm	x30	RM35A		Drawer Runner	x5

What you need:

Phillips Head Screwdriver

Wait!

Missing parts or hardware? Need assistance?
Contact us before returning your item. We're here to help!
609.256.9000 • cs@modway.com

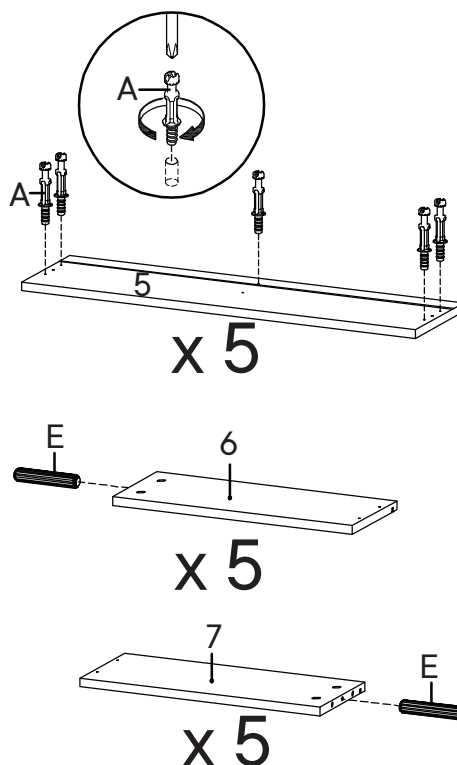
Step 1

HARDWARE

- A** Cam Bolt Ø6 x 35 mm x25
- E** Wood Dowel Ø6 x 30 mm x10

COMPONENTS

- 5** Front Drawer x5
- 6** Side Drawer Left x5
- 7** Side Drawer Right x5



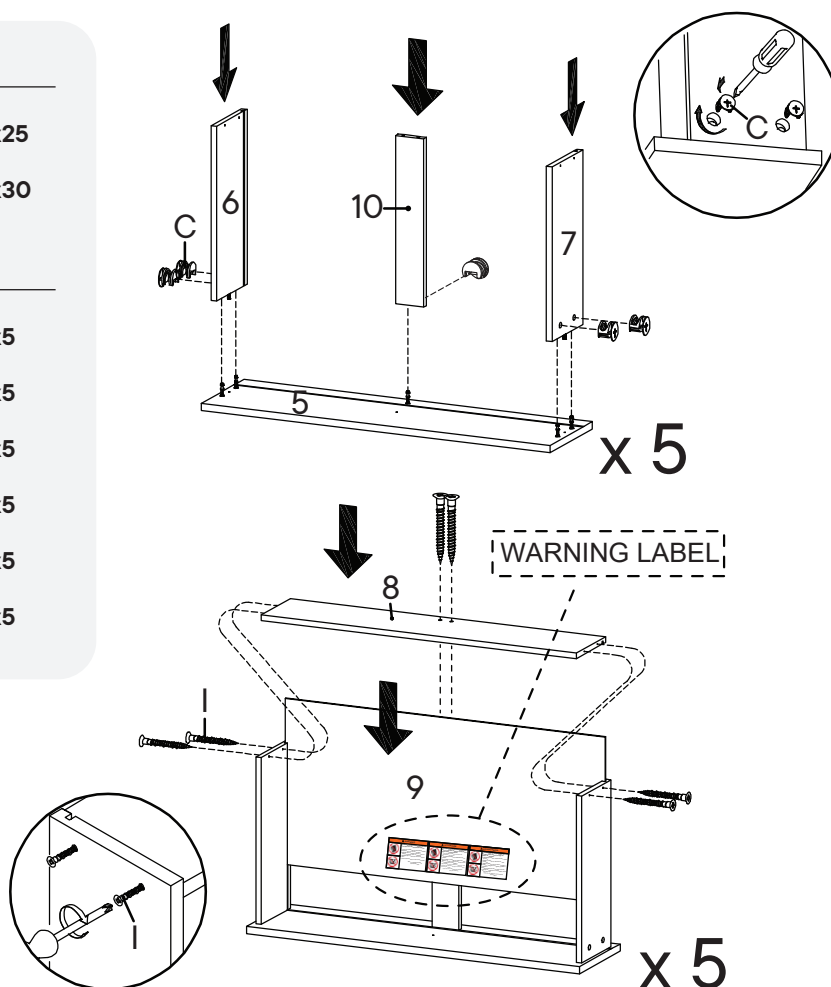
Step 2

HARDWARE

- C** Cam Lock Ø12 mm x25
- I** Screw M 8 x 39 mm x30

COMPONENTS

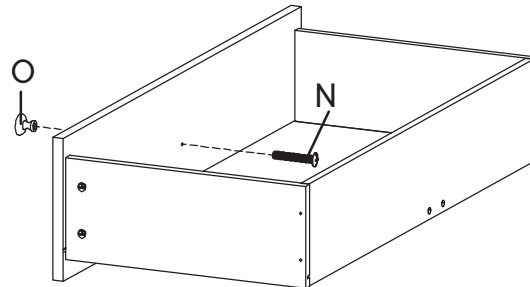
- 5** Front Drawer x5
- 6** Side Drawer Left x5
- 7** Side Drawer Right x5
- 8** Back Drawer x5
- 9** Bottom Drawer x5
- 10** Support Drawer x5



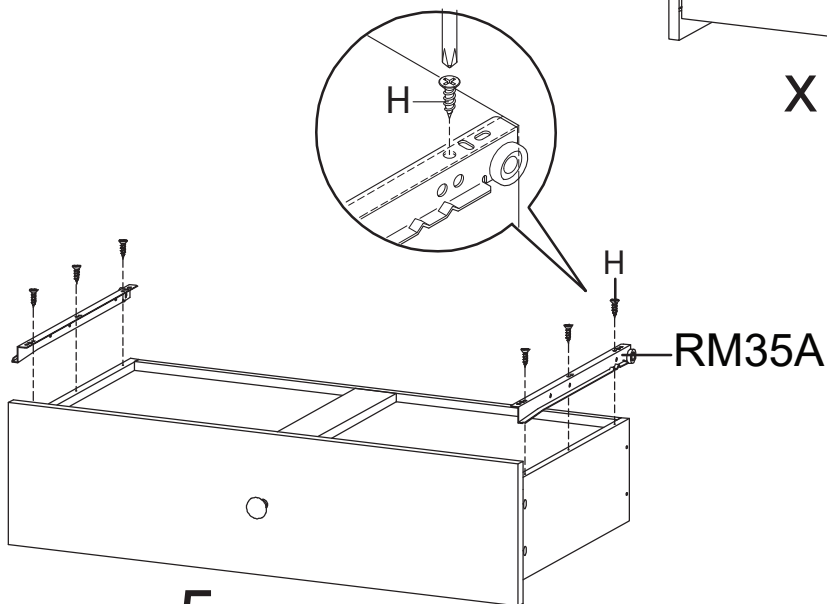
Step 3

HARDWARE

- H** Screw M 3.5 x 13 mm x30
- O** Handle x5
- N** Screw M 4 x 22 mm x5
- RM35A** Drawer Runner x5



x 5

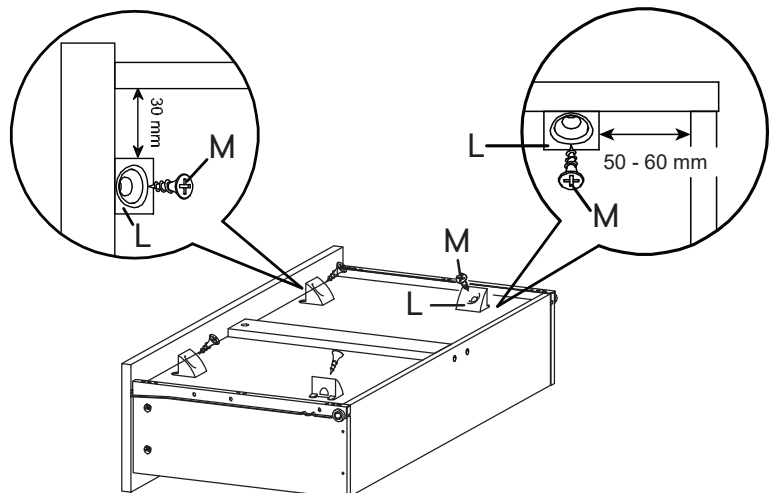


x 5

Step 4

HARDWARE

- L** Wedge x20
- M** Screw 3.5 x 15.5 mm x20



x 5

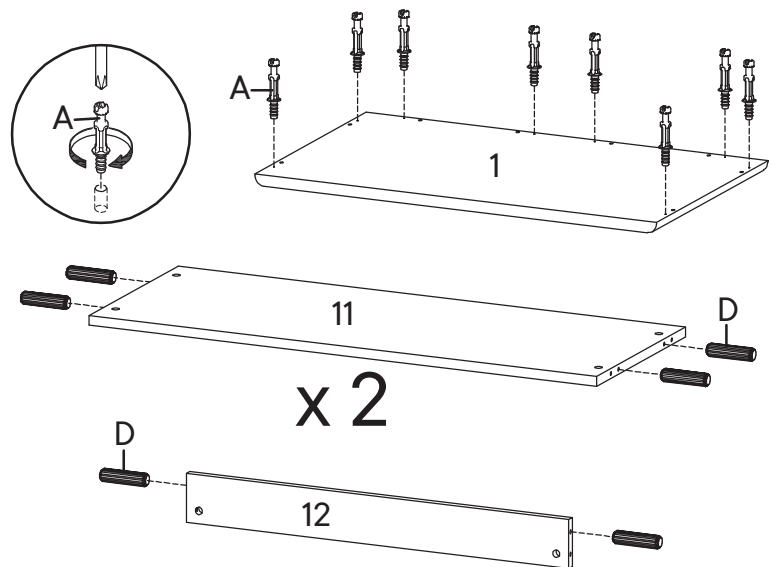
Step 5

HARDWARE

- A** Cam Bolt $\varnothing 6 \times 35$ mm x8
- D** Wood Dowel $\varnothing 8 \times 30$ mm x10

COMPONENTS

- 1** Top Board x1
- 11** Back Board x2
- 12** Support Board x1



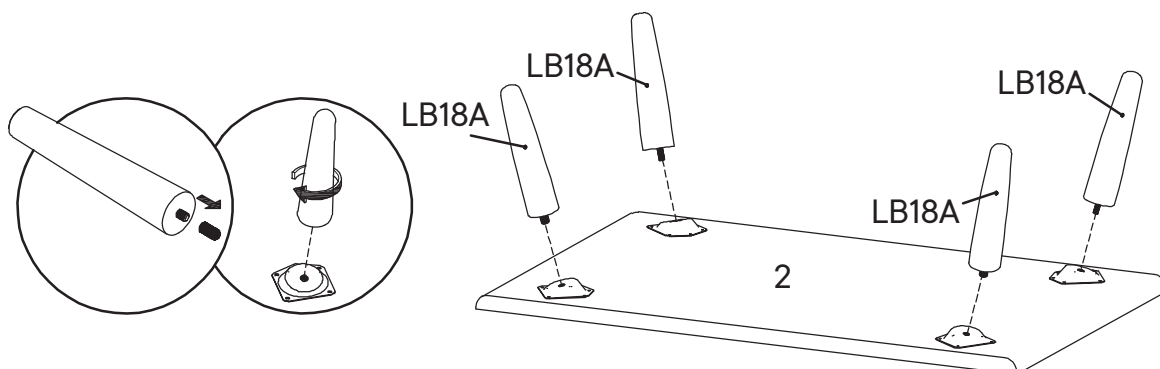
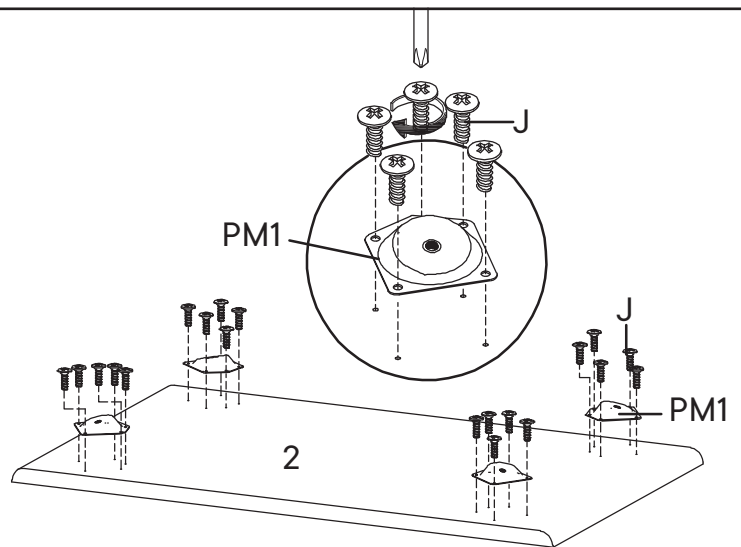
Step 6

HARDWARE

- J** Screw M 4.5 x 12.5 mm x20
- PM1** Mounting Plate x4

COMPONENTS

- 2** Bottom Board x1
- LB18A** Leg x4



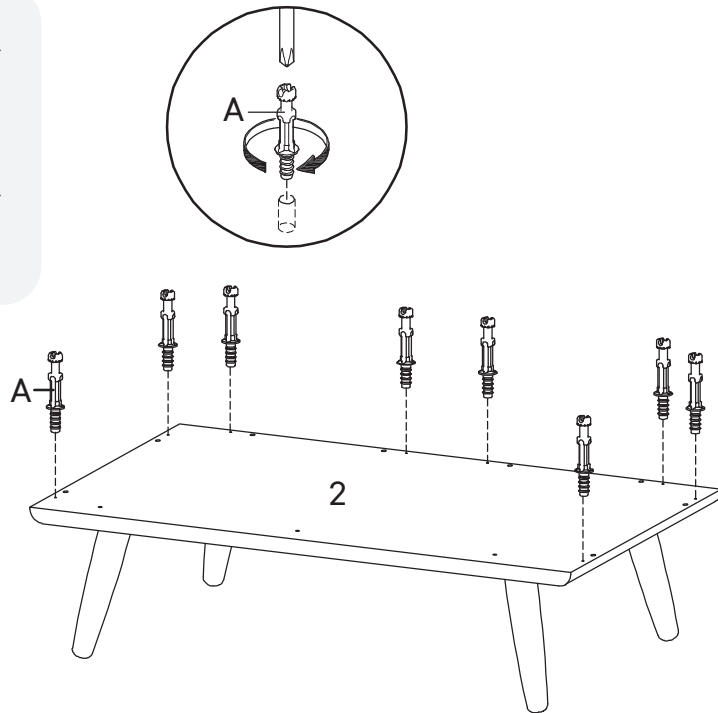
Step 7

HARDWARE

A Cam Bolt $\varnothing 6 \times 35$ mm x8

COMPONENTS

2 Bottom Board x1



Step 8

HARDWARE

A Cam Bolt $\varnothing 6 \times 35$ mm x2

D Wood Dowel $\varnothing 8 \times 30$ mm x8

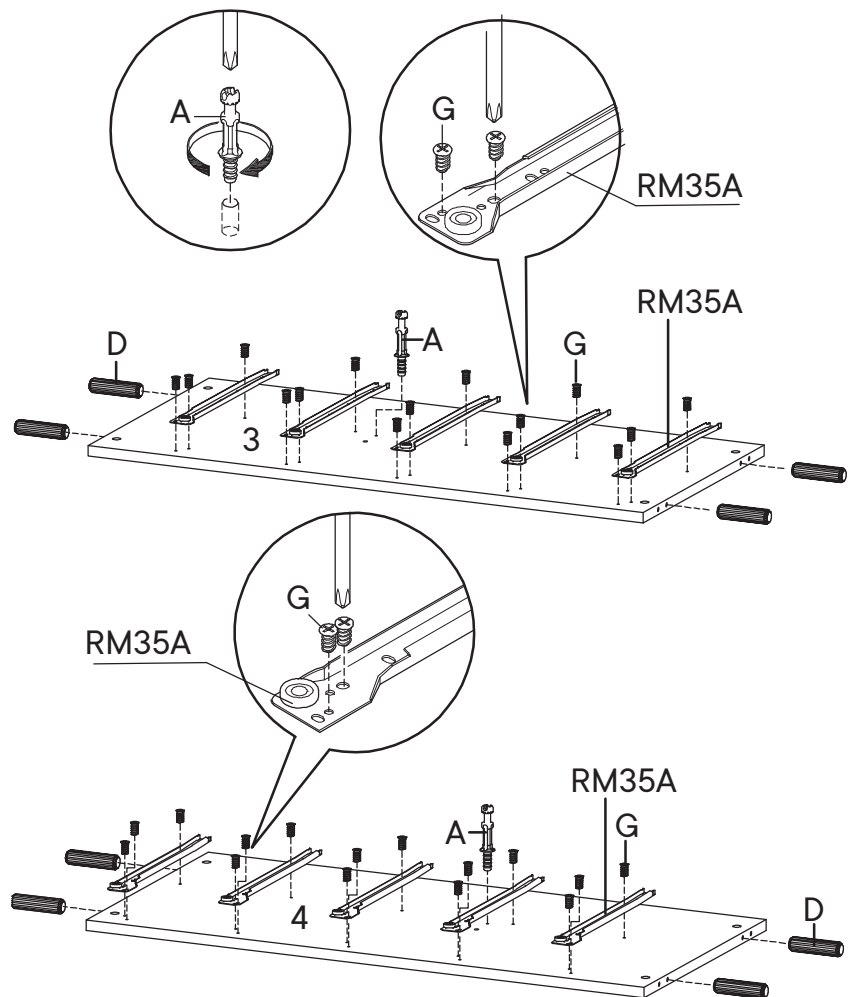
G Screw M 6 x 10.5 mm x30

RM35A Drawer Runner x5

COMPONENTS

3 Side Board Left x1

4 Side Board Right x1



Step 9

HARDWARE

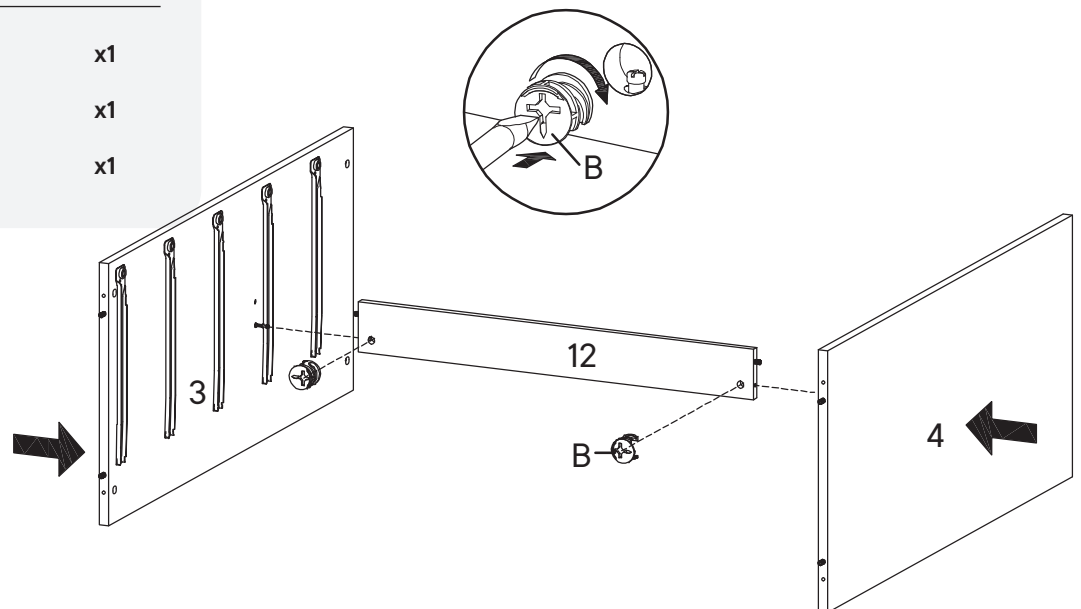
B Cam Lock Ø15 mm x2

COMPONENTS

3 Side Board Left x1

4 Side Board Right x1

12 Support Board x1



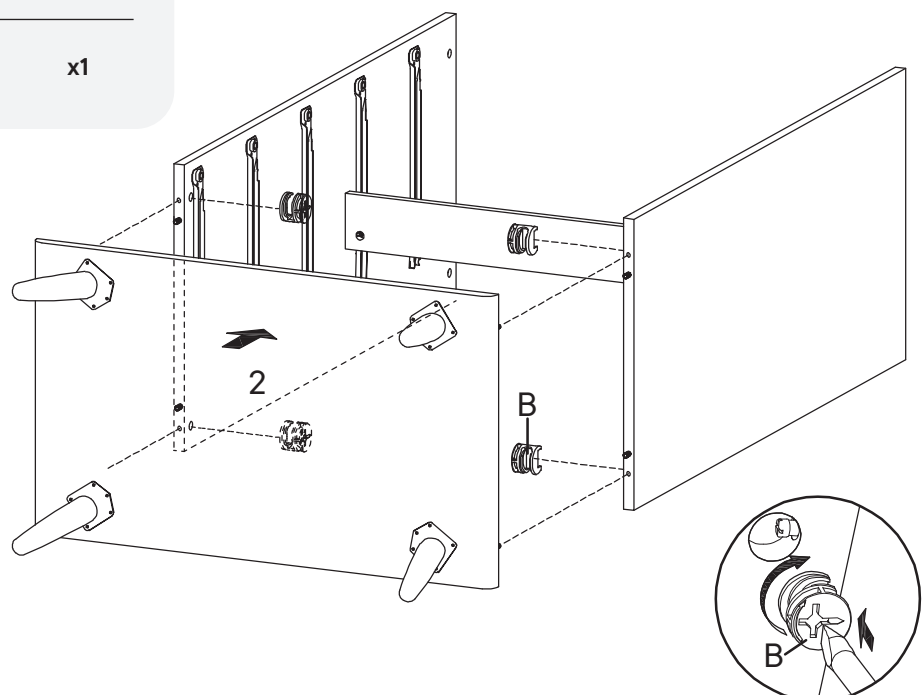
Step 10

HARDWARE

B Cam Lock Ø15 mm x4

COMPONENTS

2 Bottom Board x1



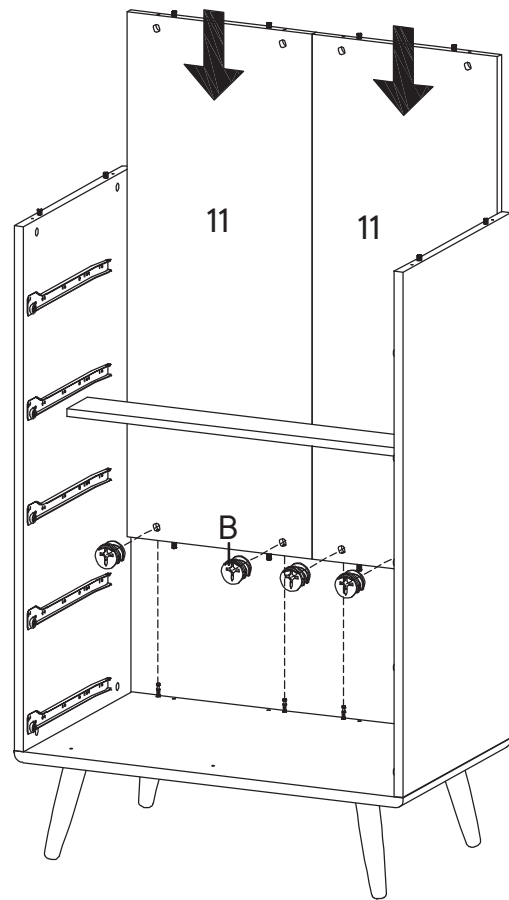
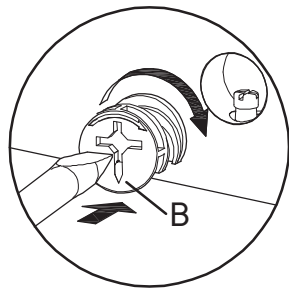
Step 11

HARDWARE

B Cam Lock $\varnothing 15$ mm x4

COMPONENTS

11 Back Board x2



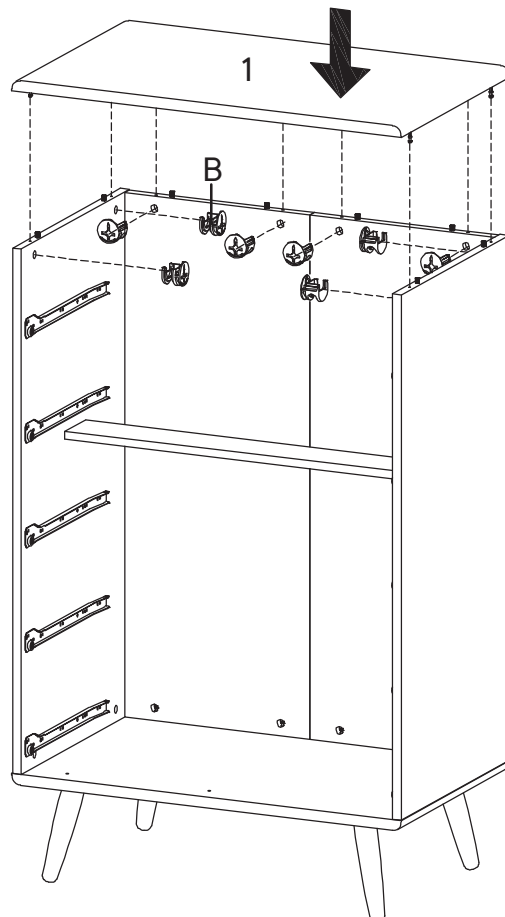
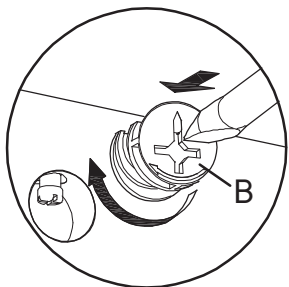
Step 12

HARDWARE

B Cam Lock $\varnothing 15$ mm x8

COMPONENTS

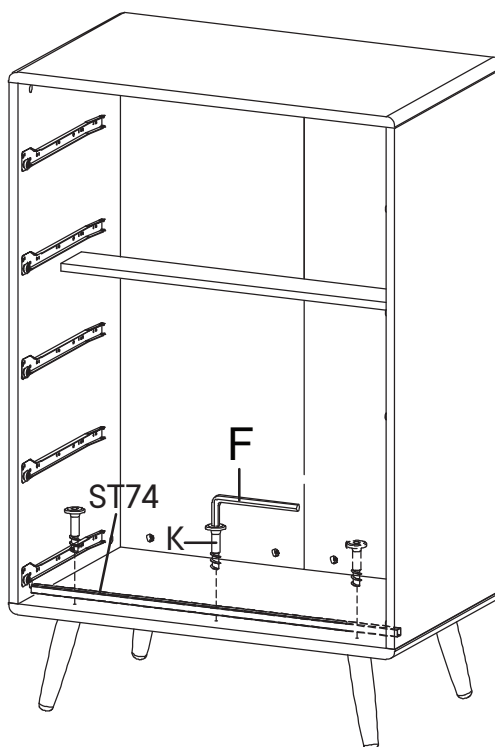
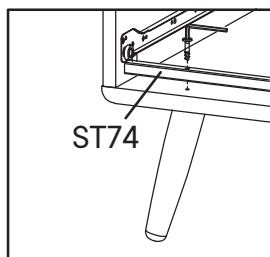
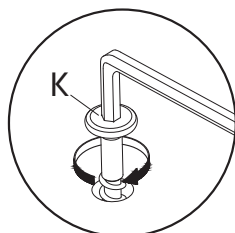
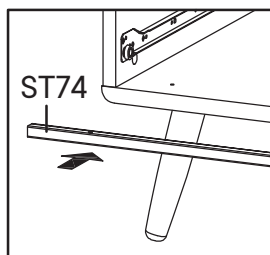
1 Top Board x1



Step 13

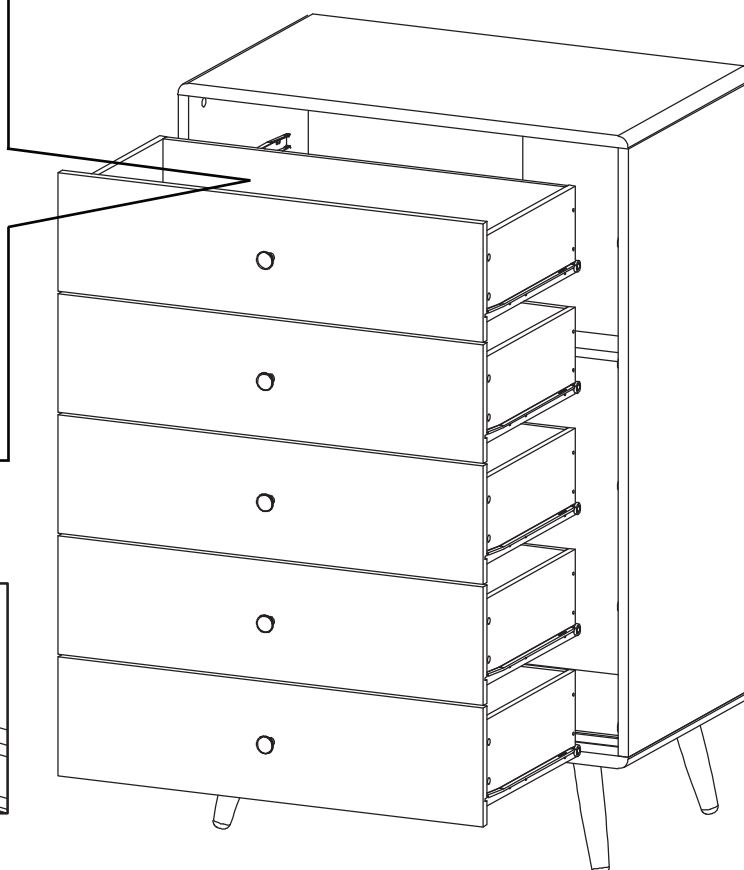
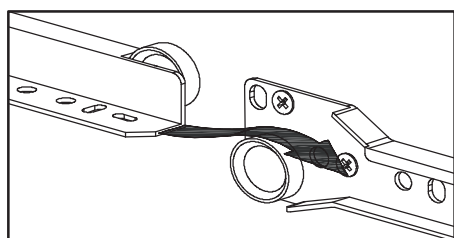
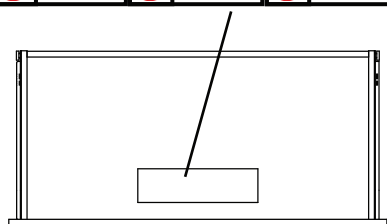
HARDWARE

- F** Allen Key x1
- K** Screw M 6.4 x 25 mm x3
- ST74** Anti Deflection Bar x1



Step 14

Drawer with warning labels on top



Great job!

Chest Of Drawers assembly is complete.

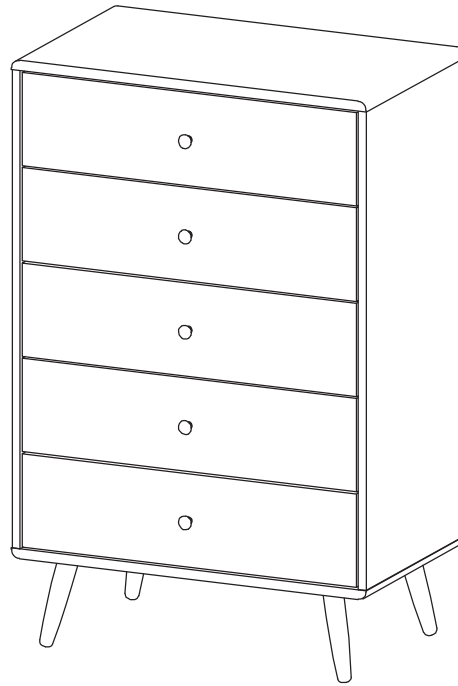
♥ CARING FOR YOUR ITEM

Indoor use only.

Not contract grade.

Clean using a non-abrasive cloth and a mild cleaner.

Never use harsh chemicals, as they could damage the finish or integrity of the item.



CONNECT WITH US!   

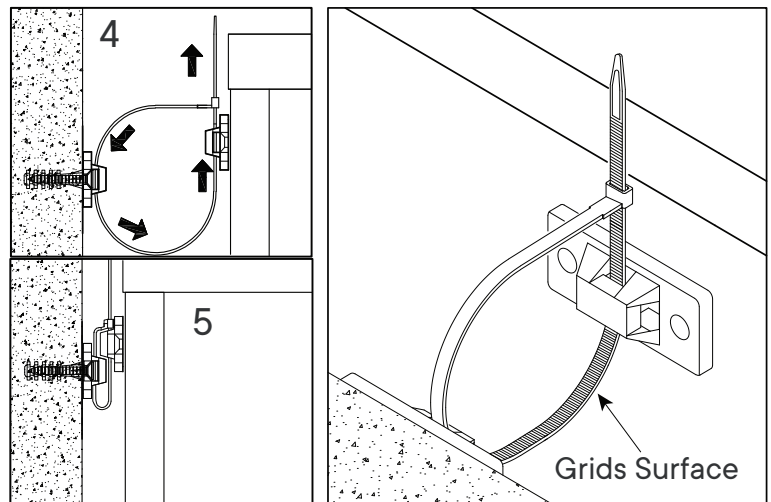
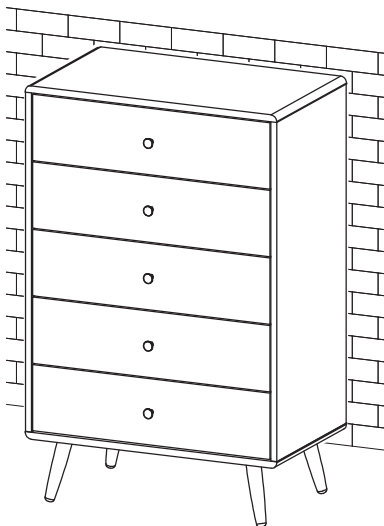
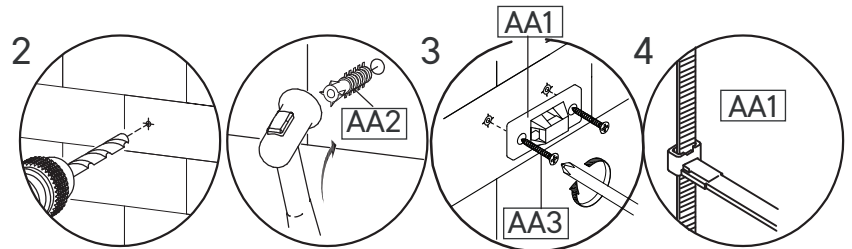
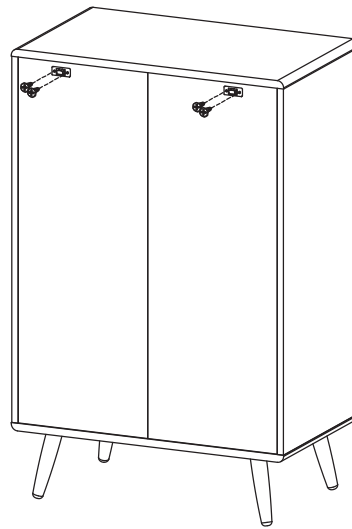
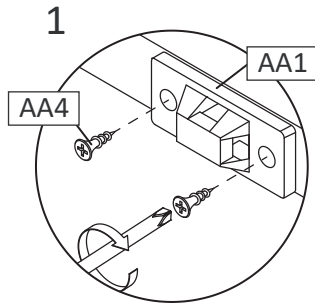
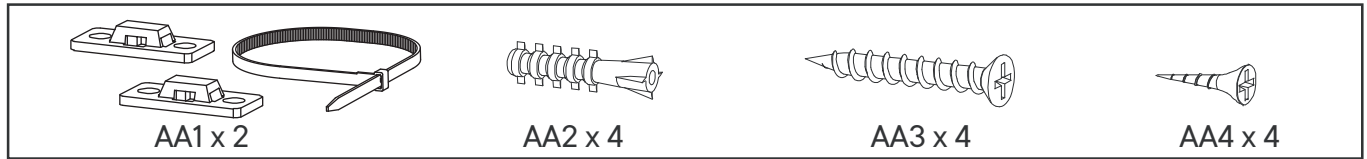
Tag us [@modway_furniture](#) and [#modway](#) for a chance to be featured.

TIPPING RESTRAINTS KIT INSTALLATION GUIDANCE

Different wall materials require unique wall fasteners.

The wall plugs (AA2) and screws (AA3) are designed for fixing to concrete walls only.

Please consult your local hardware store to ensure you are using the correct hardware for you wall type.



Installation Instructions :

1. Attach bracket (AA1) securely to the back top of the furniture using screw (AA4) provided. Allow 8 - 10 cm from each side.
2. Please make a hole for wall plugs position on the wall and minimum 15 mm below bracket secured to the back of unit attach the wall plugs (AA2).
3. Locate the other bracket (AA1) on the wall over wall plugs (AA2). Place furniture into position so both brackets (AA1) are vertically in the line.
4. Lace the end of the restrains strap through the larger hole in each bracket. Ensure the restrains strap with grids surface facing the inner loops. Bring both ends together and slide the flat end through the locking end and draw it through until all slack is removed.
5. Make sure that the strap is securely laced & locked.