

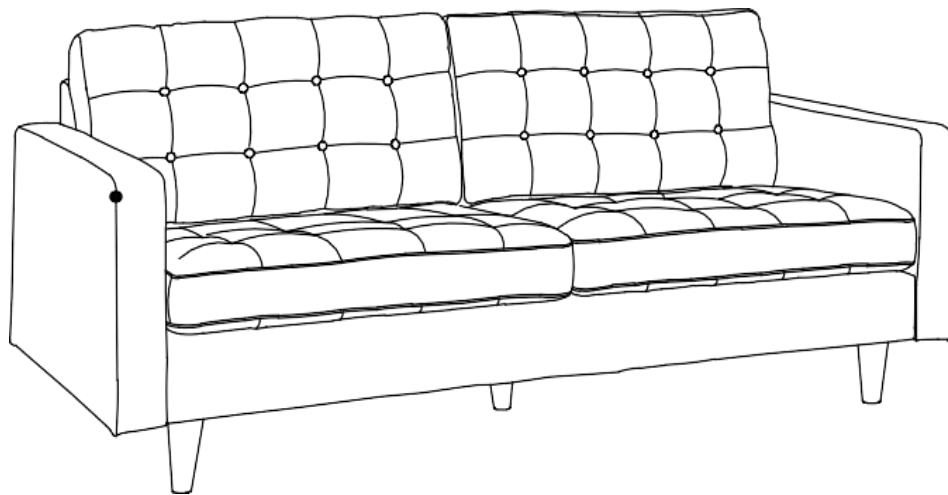
EEI-1010/1011 SOFA



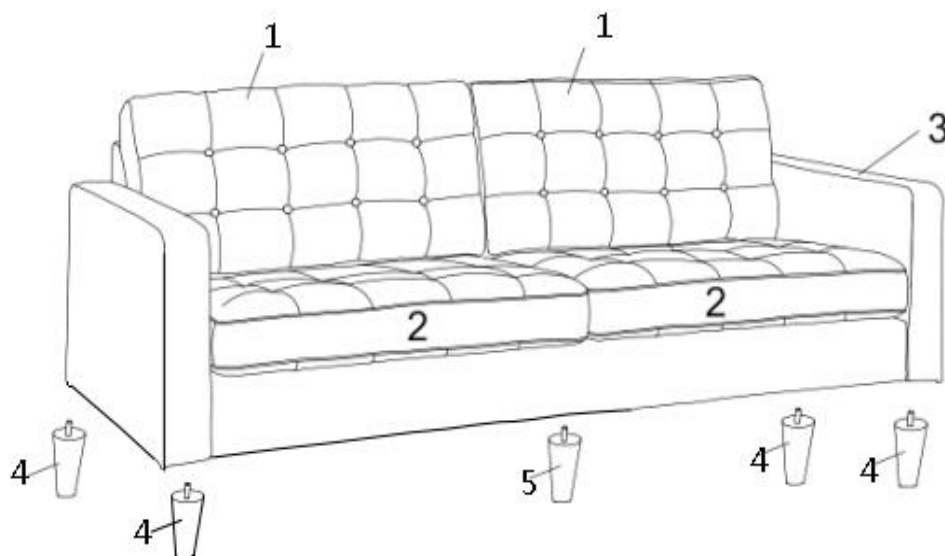
Thank you for purchasing the **MODWAY SOFA!**

Before you start, here are some helpful advice:

1. We suggest you spend a short time reading through this leaflet and then follow the simple step-by step instructions
2. Owing to the size and weight of the sofa, we recommend that it is assembled by two adults on a carpeted or padded area, in the room that it is intended for. Approximate time: 30 minutes.
3. Please do not use any tools other than those provided or recommended in these instructions.
4. Please do not throw away any of the packaging or instructions until you have checked all the components and hardware and the furniture is fully assembled.
5. Assemble all components loosely until advised to tighten. Depending on use, it may be necessary to tighten the component from time to time, so please save the tools that have been provided.
6. Please keep all pieces out of reach of children.



Components:



- | | | |
|--------------------|---|-----------------|
| 1. Back Cushion x2 | 2. Seat Cushion x2 | 3. Sofa Body x1 |
| 4. Corner Leg x4 | 5. Middle Leg (Labeled on the leg and without glide) x1 | |

EEI-1010/1011 SOFA

STEP 1:

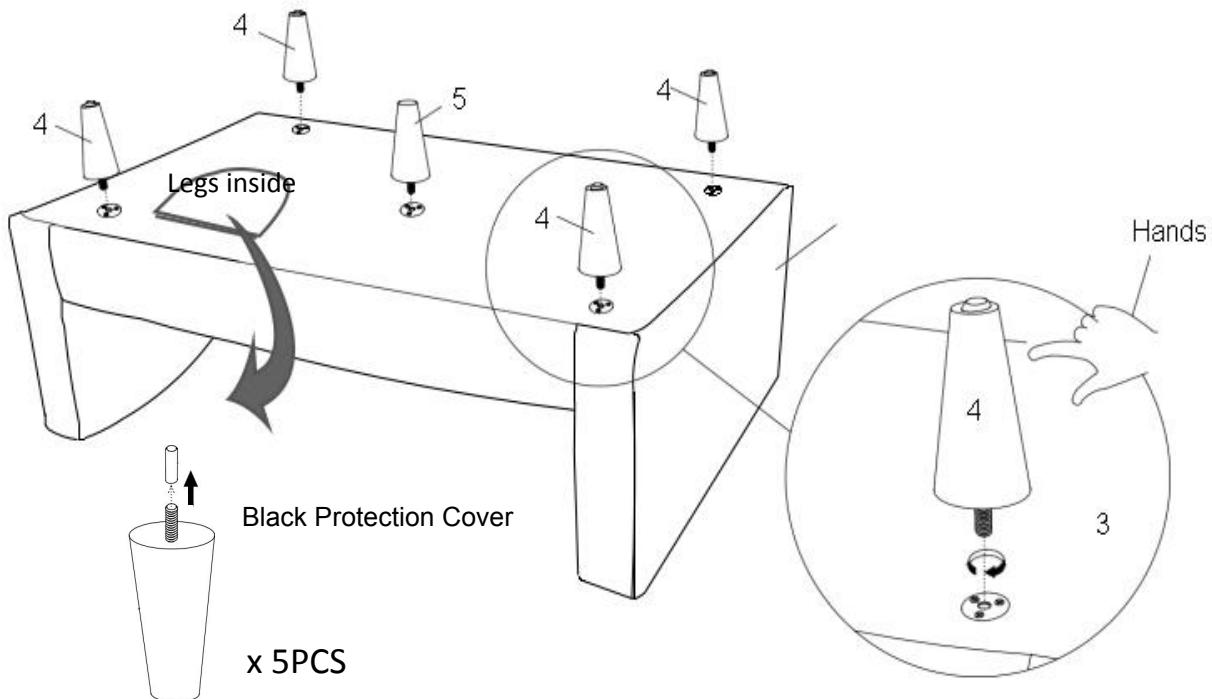
Please put the **Sofa Body (3)** without **Back Cushion (1)** and **Seat Cushion (2)** upside down on a carpeted or padded area by two adults to make the round metal plate on each corner and middle fully visible.

Open the Zipper on the bottom of **Sofa Body (3)** as shown, take out the packages of 4 pieces of **Corner Legs (4)** and 1 piece of **Middle Leg (5)**, then close the Zipper on the bottom of **Sofa Body (3)**.

Take off the Black Protection Cover on the **Corner Legs (4)** and **Middle Leg (5)**.

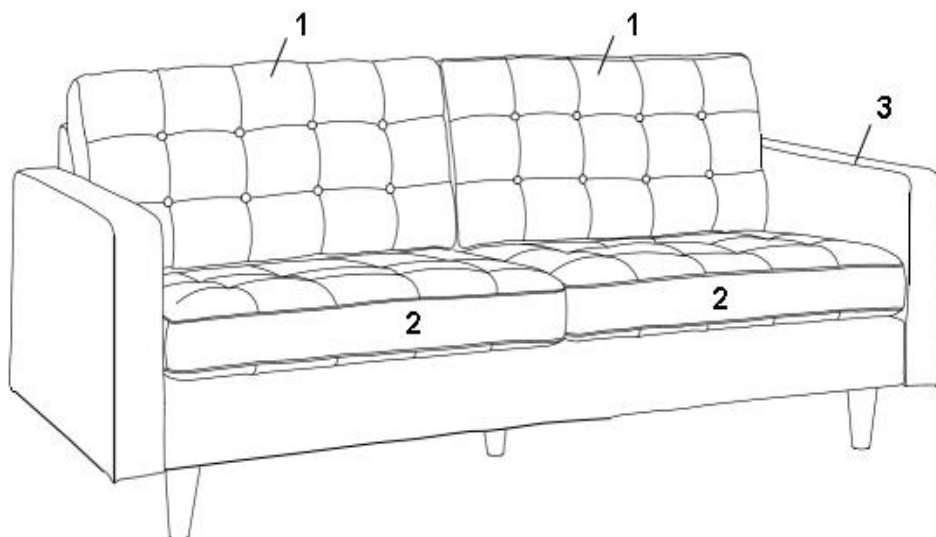
Please insert the **Middle Leg (5)** into the hole on the round metal plate in the middle. Use hands to tighten the **Middle Leg (5)** clockwise until secure. Please insert 1 piece of **Corner Leg (4)** into the hole on the round metal plate in the corner. Use hands to tighten the **Corner Leg (4)** clockwise until secure.

Repeat the same steps for other 3 pieces of **Corner Legs (4)**.



STEP 2:

Carefully turn over the **Sofa Body (3)** and put on the **Back Cushions (1)** and **Seat Cushions (2)**.



Assembly is complete. The sofa is ready to enjoy now!