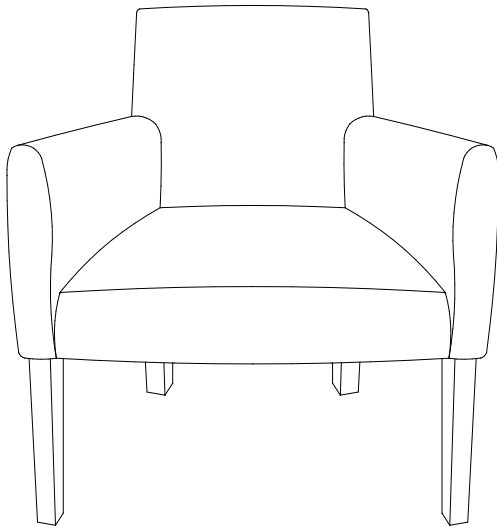


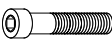
Thank you for purchasing the **MODWAY CHAIR!**


Before you start, here are some helpful advice:

1. We suggest you spend a short time reading through this leaflet and then follow the simple step-by-step instructions.
2. Owing to the size and weight of the Chair, we recommend that it is assembled by two adults, on a carpeted or padded area, in the room that it is intended for. Approximate assembly time: 30 minutes.
3. Please do not use any tools other than those provided or recommended in these instructions.
4. Please do not throw away any of the packaging or the instruction until you have checked all the components and hardware and the furniture is fully assembled. Please ensure that the packaging is disposed of in a safe and environmentally friendly way.
5. Assemble all components loosely until advised to tighten. Depending on use, it may be necessary to tighten the components from time to time, so please save the tools that have been provided.
6. Please keep all pieces out of reach of children.



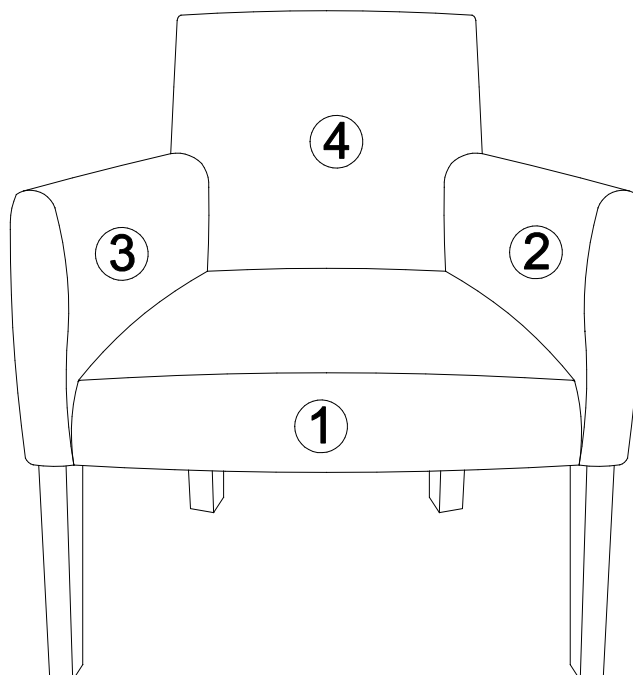
Hardware:

A.  Bolt M8x65mm x8

B.  Flat Washer x6

C.  Allen Wrench x1

Components:



1. Seat x1

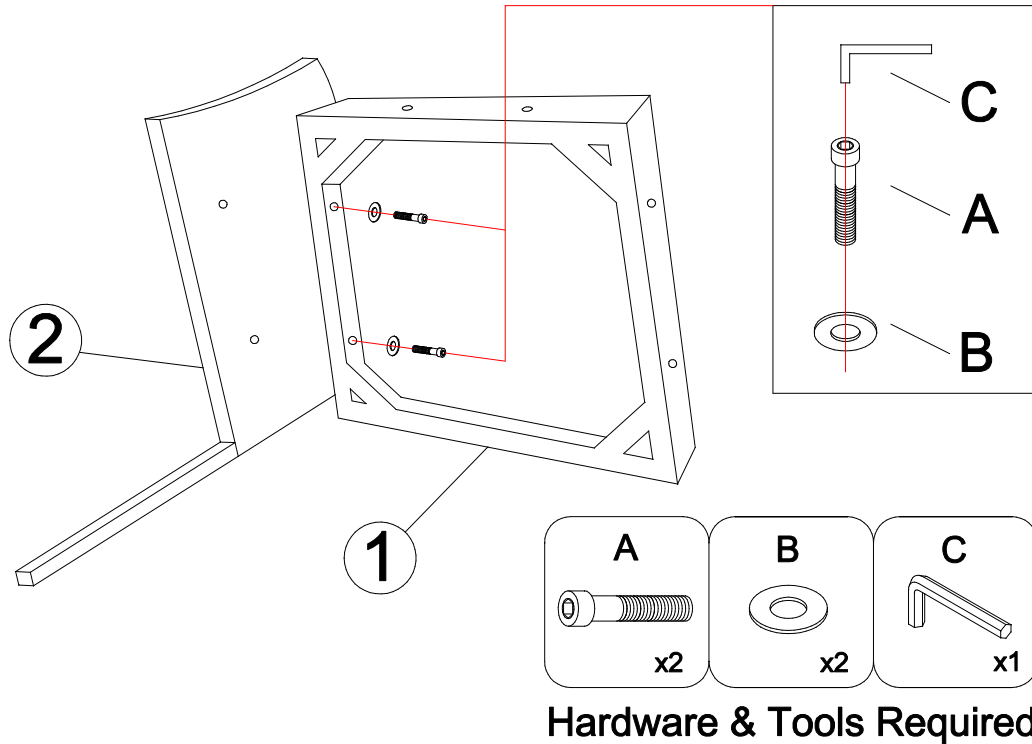
2. Right Armrest x1

3. Left Armrest x1

4. Back x1

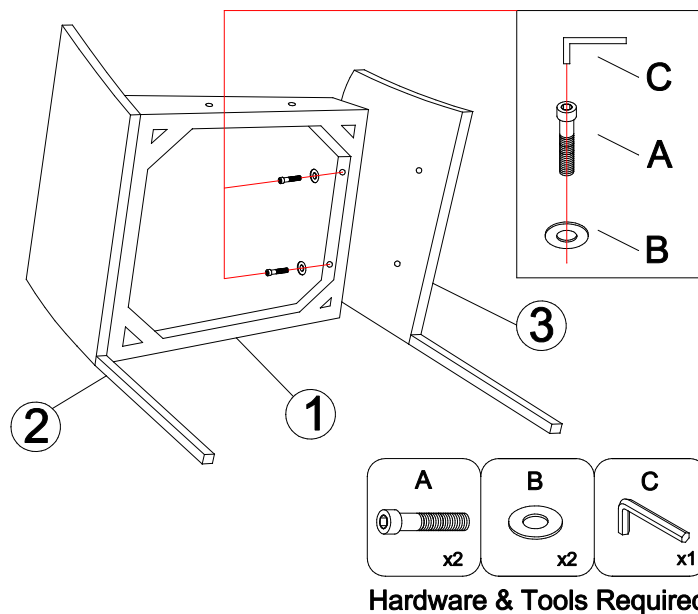
STEP 1:

1. Please put **Seat (1)** stand upright down on a carpeted or padded surface as shown.
3. Attach the **Left Armrest (2)** to the left of the **Seat (1)** by using 2 pieces of **Bolts (A)** with 2 pieces of **Flat Washers (B)** and use **Allen Wrench (C)** to tighten **Bolts (A)** clockwise as shown.
Don't fully tight **Bolts (A)** at this step.



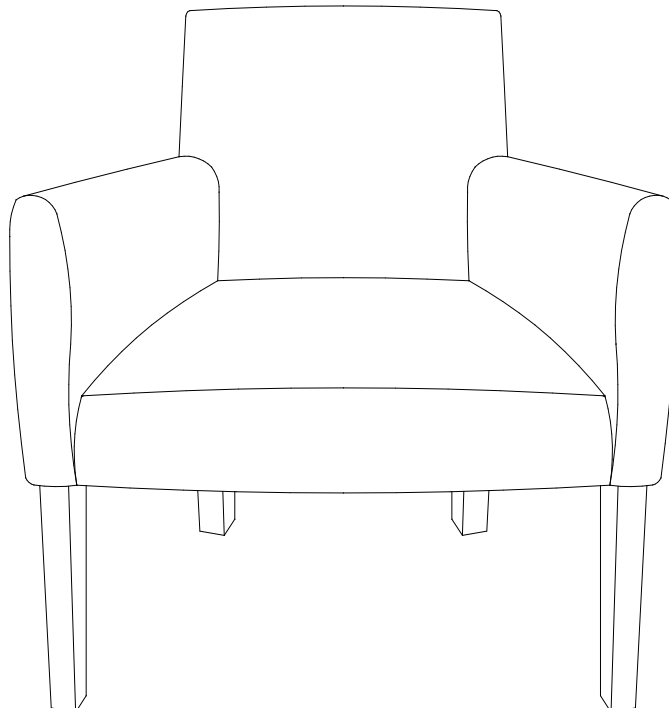
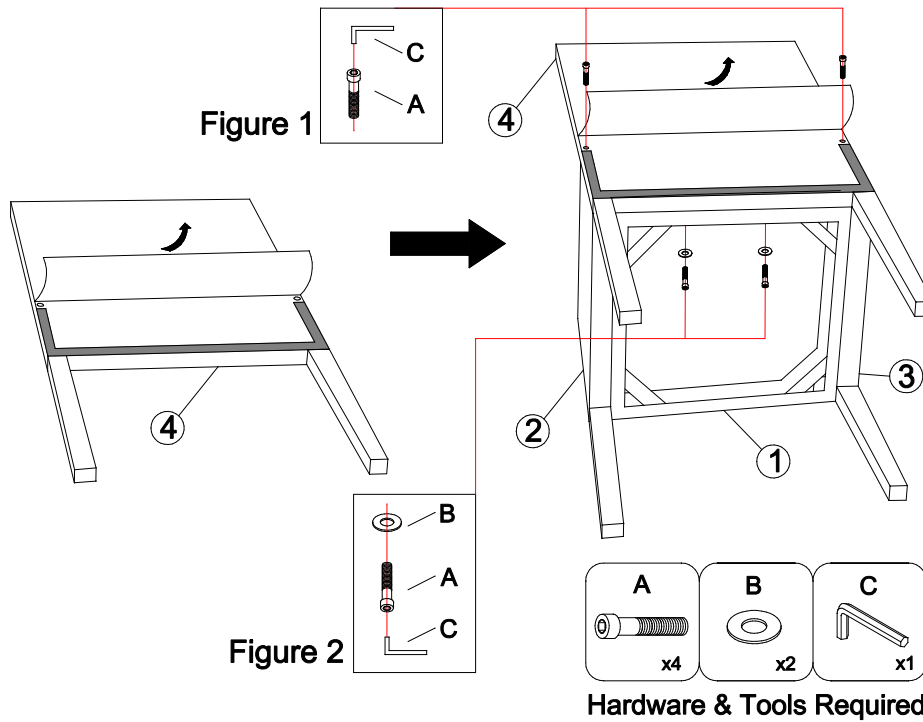
STEP 2:

- Attach the **Right Armrest (3)** to the right of the **Seat (1)** by using 2 pieces of **Bolts (A)** with 2 pieces of **Flat Washers (B)** and use **Allen Wrench (C)** to tighten **Bolts (A)** clockwise as shown.
Don't fully tight **Bolts (A)** at this step.



STEP 3:

1. Open the HOOK & LOOP on the fabric cover of the **Back (4)** as shown.
2. Attach the **Back (4)** to the back of the **Seat (1)** by using 2 pieces of **Bolts (A)** with 2 pieces of **Flat Washers (B)** and use **Allen Wrench (C)** to tighten **Bolts (A)** clockwise as shown.
Don't fully tight **Bolts (A)**.
3. Insert 2 pieces of **Bolts (A)** and 2 pieces of **Flat Washer (B)** to the bottom of **Seat (1)** as shown and use **Allen Wrench (C)** to tighten **Bolts (A)** clockwise as shown. Don't fully tight **Bolts (A)**.
4. When all parts are fixed, please fully tighten all **Bolts (A)** and close the HOOK & LOOP on the fabric cover of the **Back (4)**.



Assembly is complete. Your Chair is ready to enjoy now!