

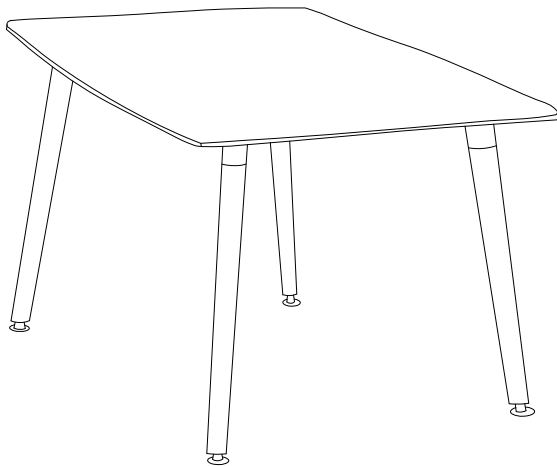
# EEI-1056/1094 TABLE



Thank you for purchasing the **MODWAY TABLE!**

Before you start, here are some helpful advice:

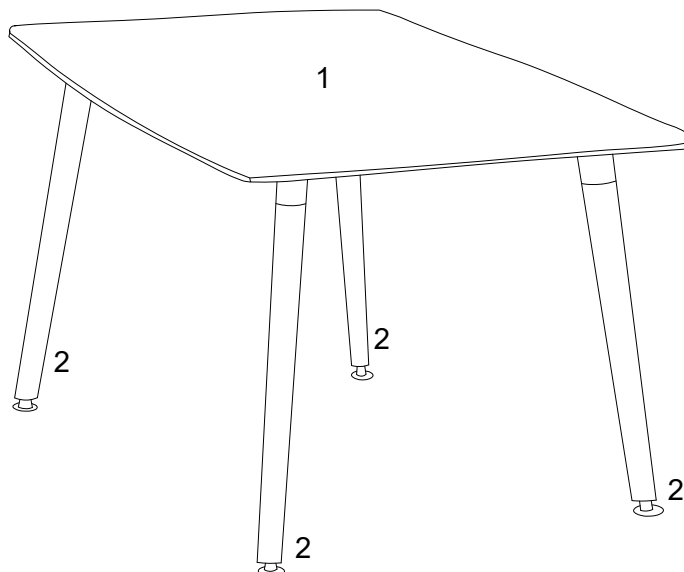
1. We suggest you spend a short time reading through this leaflet and then follow the simple step by step instructions.
2. Owing to the size and weight of the table, we recommend that it is assembled by two adults, on a carpeted or padded area, in the room that it is intended for. Approx assembly time: 30 minutes.
3. Please do not use any tools other than those provided or recommended in these instructions.
4. Please do not throw away any of the packaging or the instruction until you have checked all the components and hardware and the furniture is fully assembled. Please ensure that the packaging is disposed of in a safe environmentally friendly way.
5. Assemble all components loosely until advised to tighten. Depending on use, it may be necessary to tighten the components from time to time, so please save the tools that have been provided.
6. Please keep all fitting out of reach of children.



## Hardware:

|   |  |                  |     |
|---|--|------------------|-----|
| A |  | Bolt M6x17.5mm   | x16 |
| B |  | Spring Washer M6 | x16 |
| C |  | Flat Washer M6   | x16 |
| D |  | Allen Wrench M4  | x1  |

## Component:



1 Table Top x1

2 Table Leg x4

# EEI-1056/1094 TABLE

## STEP 1:

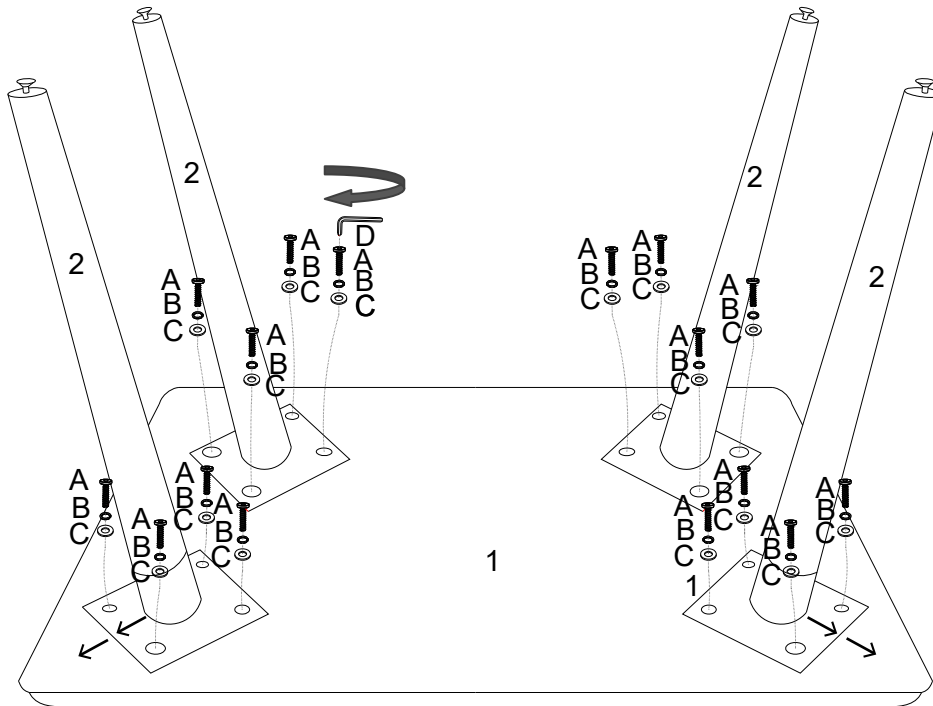
Please put the **Table Top (1)** upside down on a carpeted or padded area.





Position 1 piece of **Table Leg (2)** to the bottom of **Table Top (1)** as shown.

Insert 4 pieces of **Bolt (A)** with 4 pieces of **Spring Washer (B)**, 4 pieces of **Flat Washer (C)** into the hole of **Table Leg (2)** through the hole of the bottom of **Table Top (1)**.

Repeat the same steps for the remaining **Table Legs (2)**.

Use **Allen Wrench (D)** to tighten **Bolt (A)** clockwise until secure.



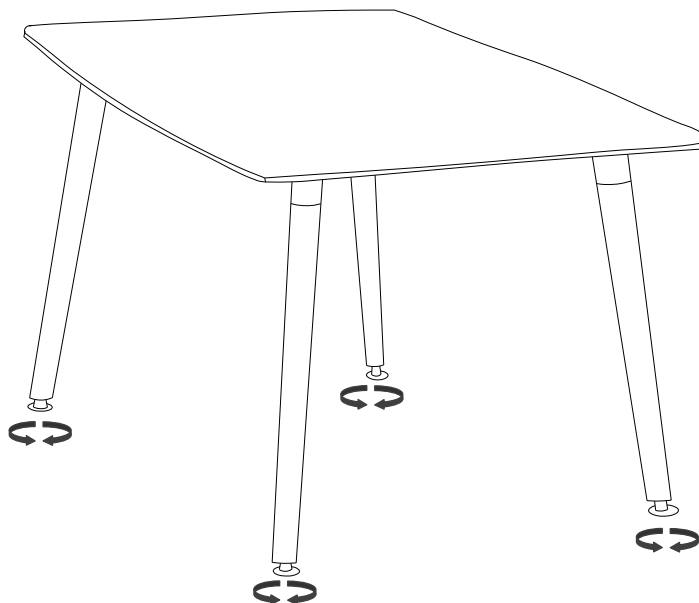
|   |   |   |   |
|---|---|---|---|
|  |  |  |  |
| Ax16  | Bx16  | Cx16  | Dx1   |

Hardware & Tool required

## STEP 2:

Carefully turn over the assembled table.

If leveling is necessary, turn the leveler clockwise to down and counterclockwise to raise.



Assembly is complete. Your table is ready to be used now!