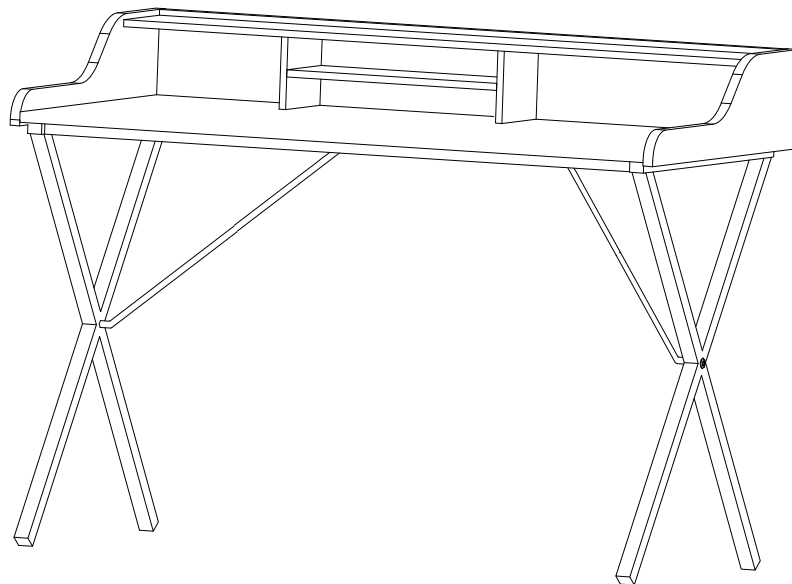


Thank you for purchasing the **MODWAY DESK!**

Before you start, here is some helpful advice:


1. We suggest you spend a short time reading through this leaflet and then follow the simple step by step instructions.
2. Owing to the size and weight of the desk, we recommend that it is assembled by two adults, on a carpeted or padded area, in the room that it is intended for. Approximate assembly time: 45 minutes.
3. Please do not use any tools other than those provided or recommended in these instructions.
4. Please do not throw away any of the packaging or instructions until you have checked all the components and hardware and the furniture is fully assembled.
5. Assemble all components loosely until advised to tighten. Depending on use, it may be necessary to tighten the components from time to time, so please save the tools that have been provided.
6. Please keep all pieces out of reach of small children.



Hardware:

a  Cam x10

c  Dowel x16

e  Bolt M6x35 x6

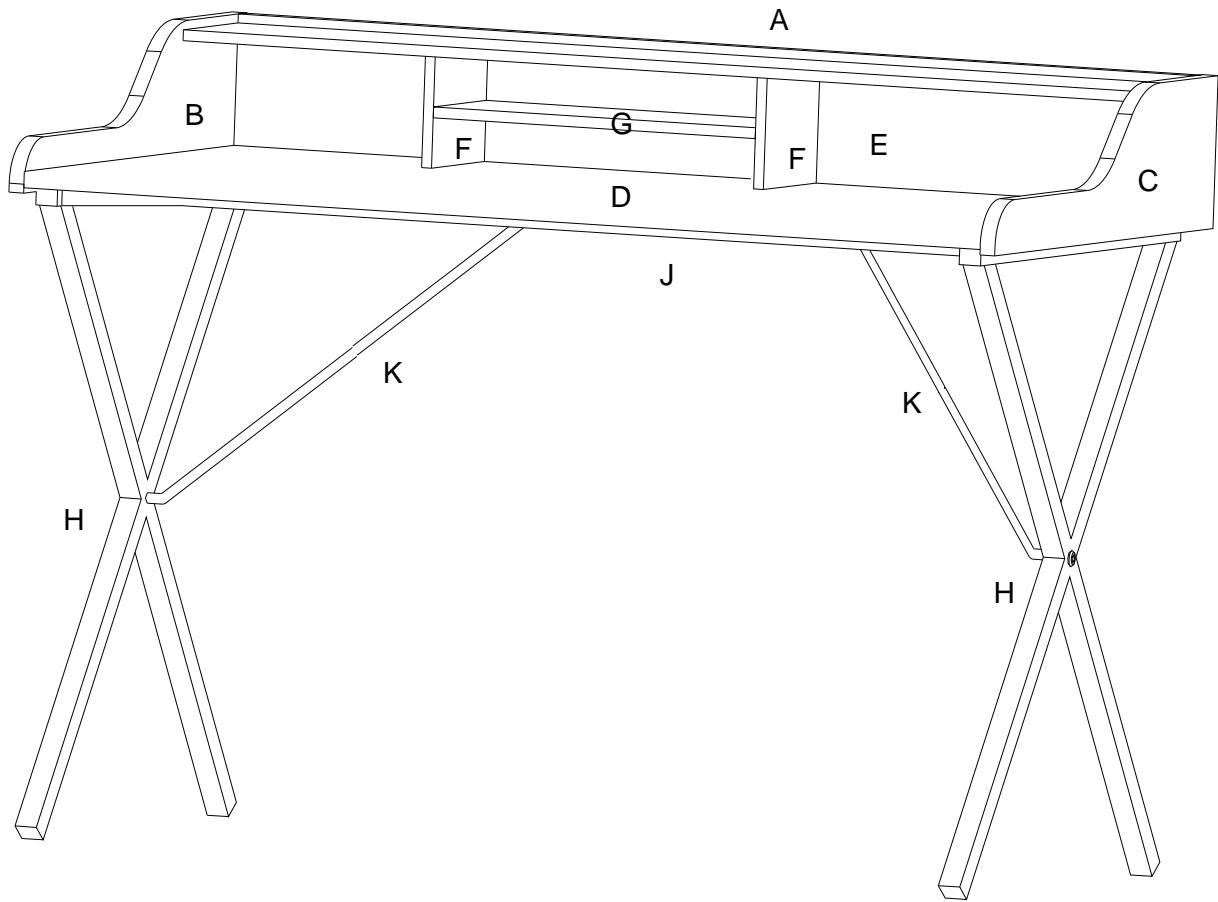
g  Screw M6x35 x6

b  Cam Post x10

d  Bolt M6x12mm x2

f  Bolt M6x40mm x2

h  Allen Wrench x1

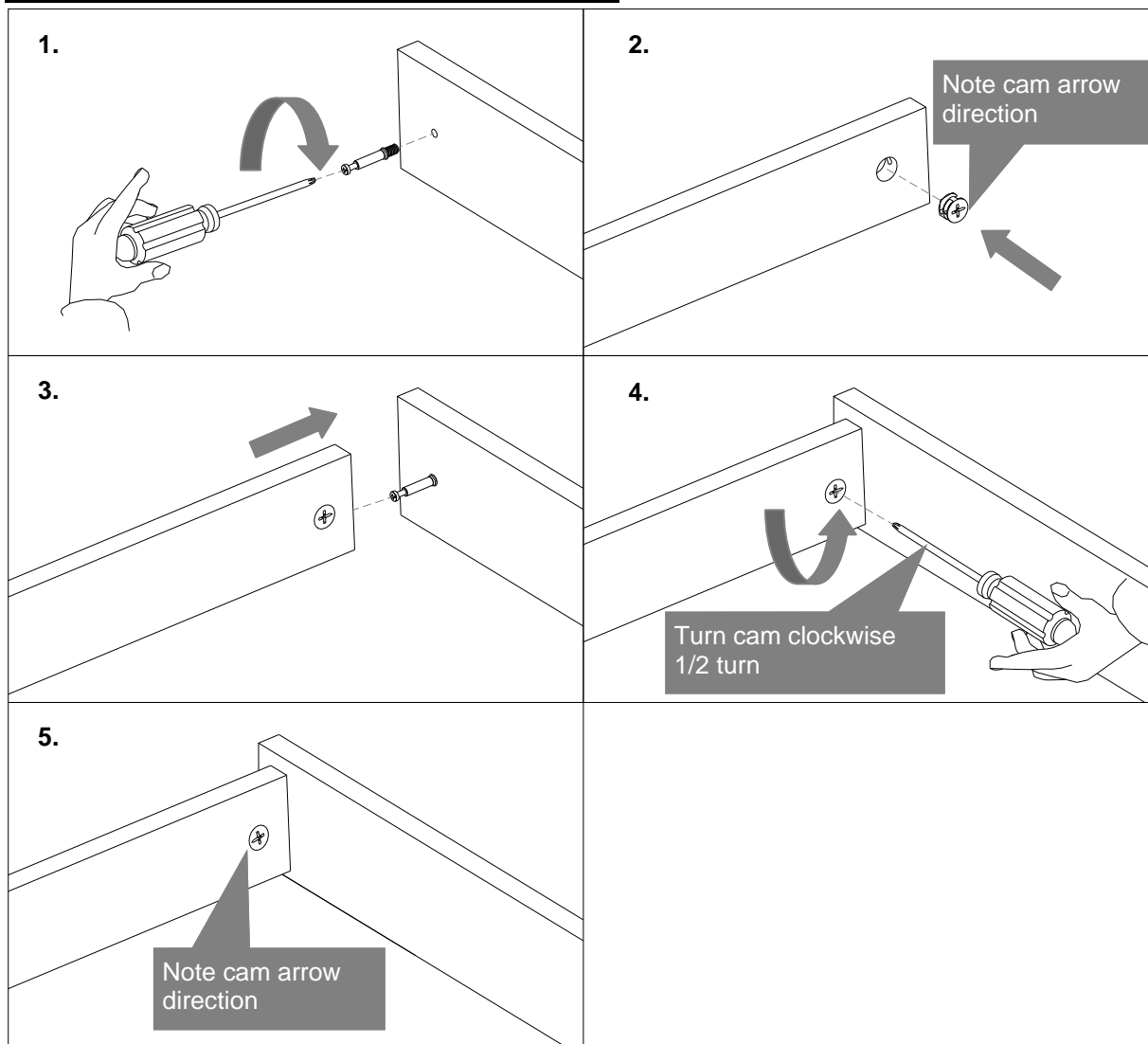


Component:

A	Top Panel	x1
C	Right Side Panel	x1
E	Back Panel	x1
G	Shelf	x1
J	Center Rail	x1

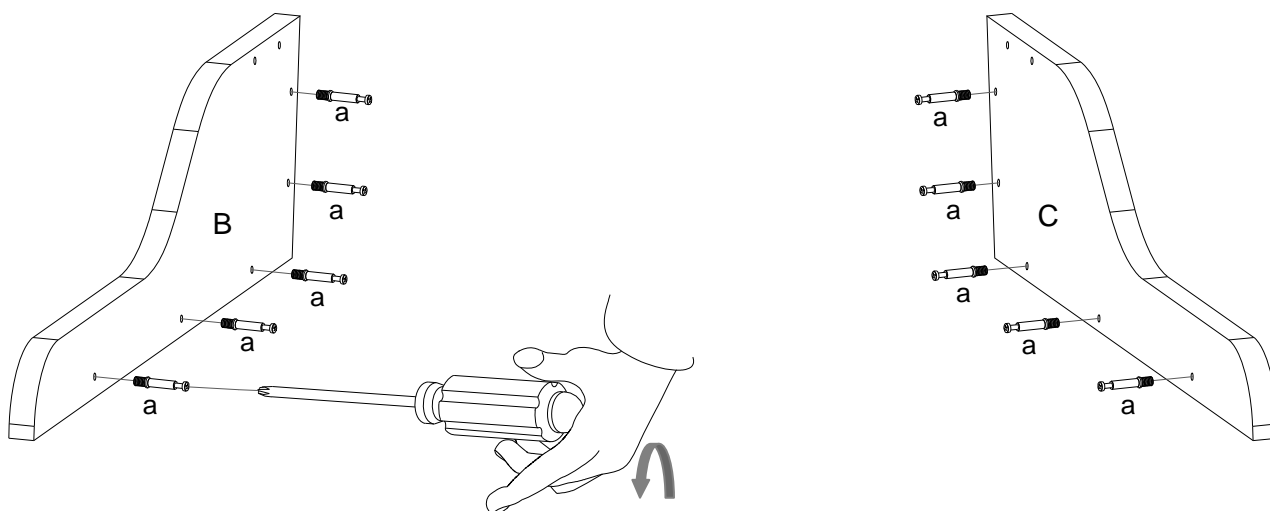
B	Left Side Panel	x1
D	Bottom Panel	x1
F	Divide Panel	x2
H	Leg	x2
K	Support Rail	x1

HOW TO USE CAN AND CAM POST HARDWARE



STEP 1:

Insert 5pcs **Cam Posts (a)** into the corresponding holes on the **Left Side Panel (B)** as shown.
Repeat the same steps for the **Right Side Panel (C)**.

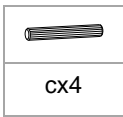
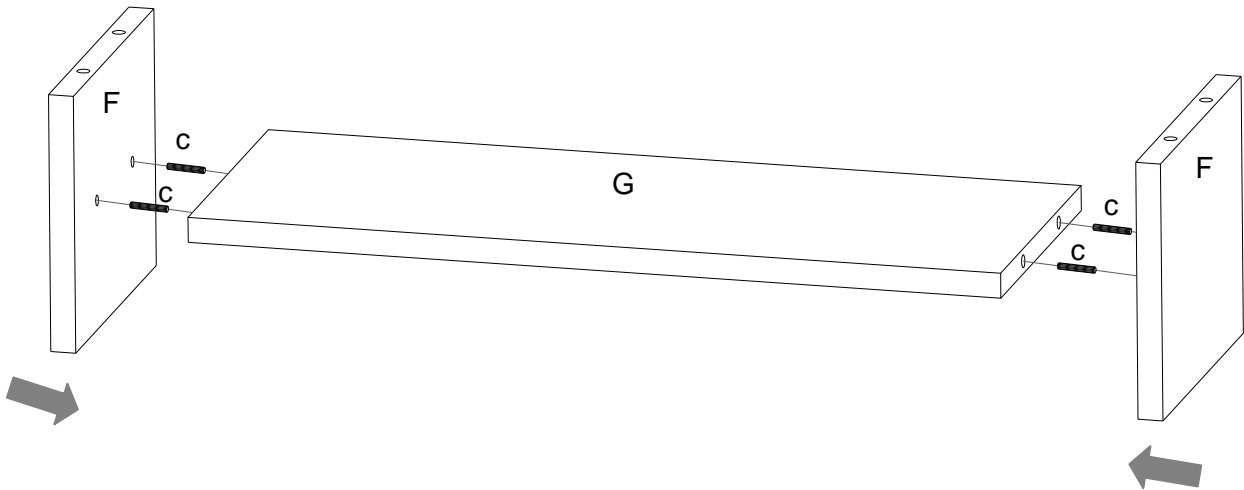


ax10	Phillips Head Screwdriver (not included)

Hardware & Tools required

STEP 2:

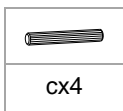
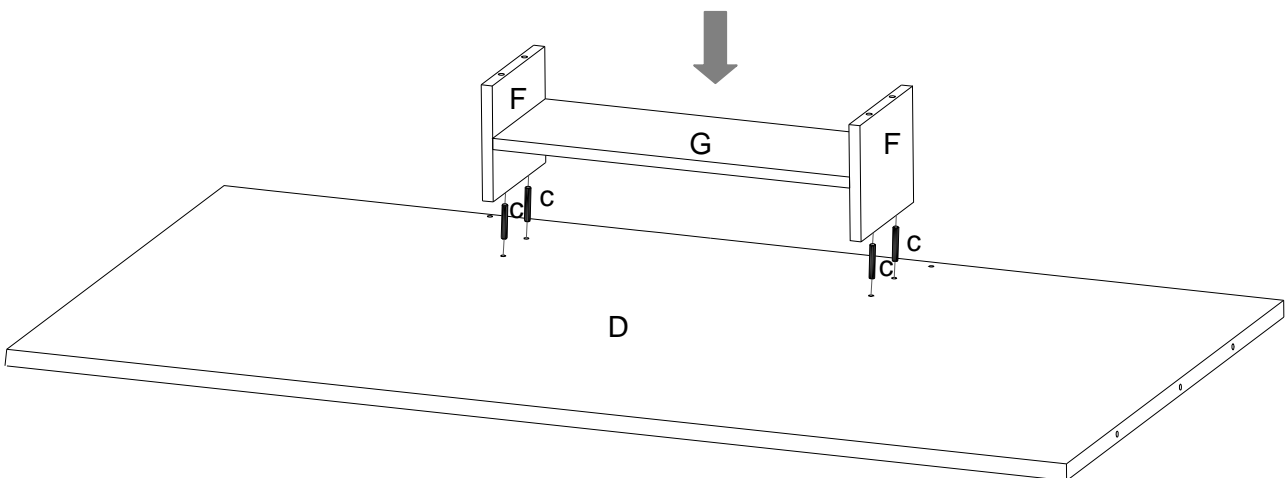
Place the **Divide Panels (F)** to the **Shelf (G)**.
Connect them by using 4pcs **Dowel (c)** as shown.



Hardware & Tools required

STEP 3:

Place the assembled **Divide Panels (F)** to the **Bottom Panel (D)**.
Connect them by using 4pcs **Dowel (c)** as shown.



Hardware & Tools required

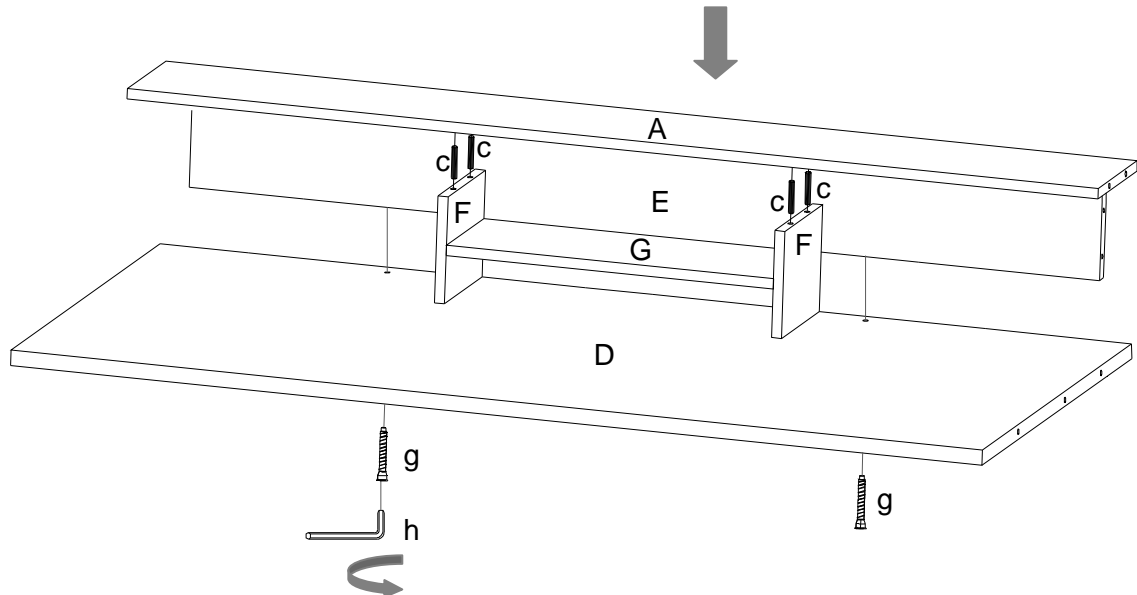
STEP 4:

Attach the **Back Panel (E)** to the **Bottom Panel (D)** by using 2pcs **Screw (g)** as shown

Use **Allen Wrench (h)** to tighten the **Screws (g)** clockwise until secure.

Place the **Top Panel (A)** to the Assembled **Divide Panels (F)**.

Attach them by 4pcs **Dowel (c)** as shown.



cx4	gx2	hx1

Hardware & Tools required

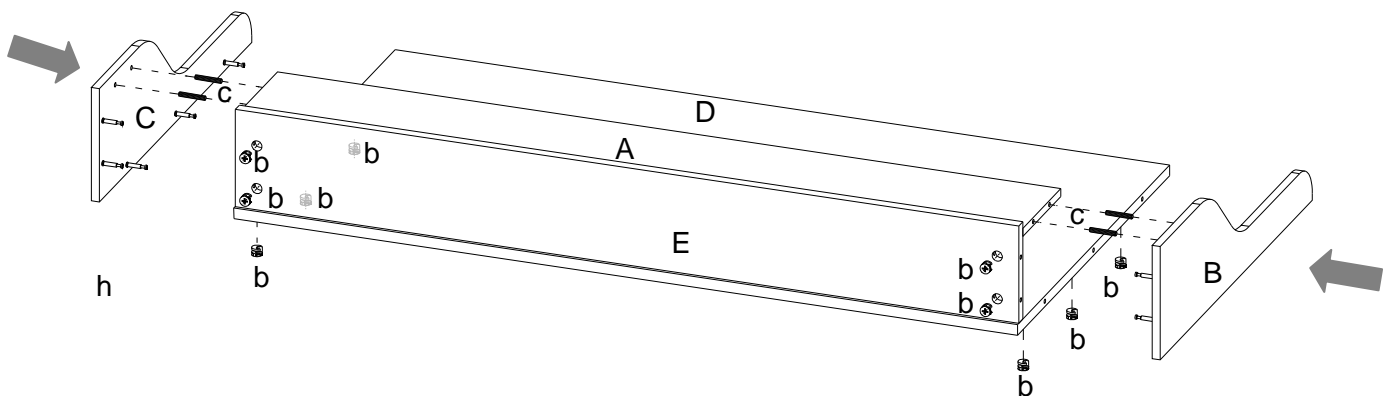
STEP 5:

Place the **Left Side Panel (B)** and **Right Side Panel (C)** to the assembled **Bottom Panel (D)** and **Back Panel (E)**.

Attach them by using 4pcs **Dowel (c)** as shown.

Insert 10pcs **Cam (b)** into the corresponding holes on the **Back Panel (E)** and **Bottom Panel (D)**.

Use Phillips Head Screwdriver (not included) to tight all the **Cams (b)**.



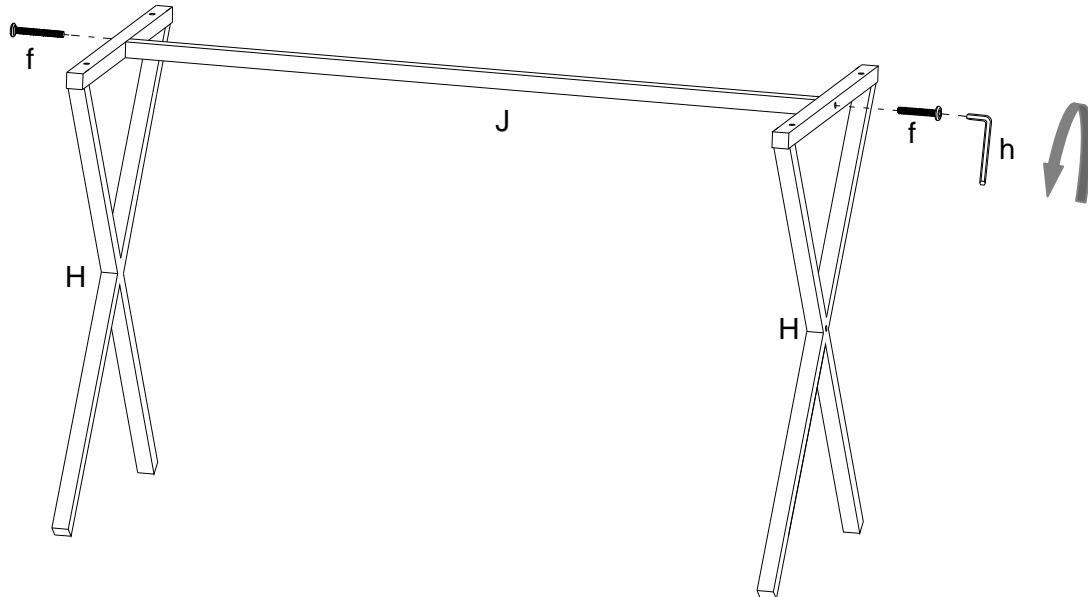
bx10	cx4	Phillips Head Screwdriver (not included)



Hardware & Tools required

STEP 6:

Attach the 2pcs Leg (H) to the Center Rail (J) by using Bolts (f) as shown.

Tighten Bolts (f) by using Allen Wrench (h). Do not full tighten.



	
fx2	hx1

Hardware & Tools required

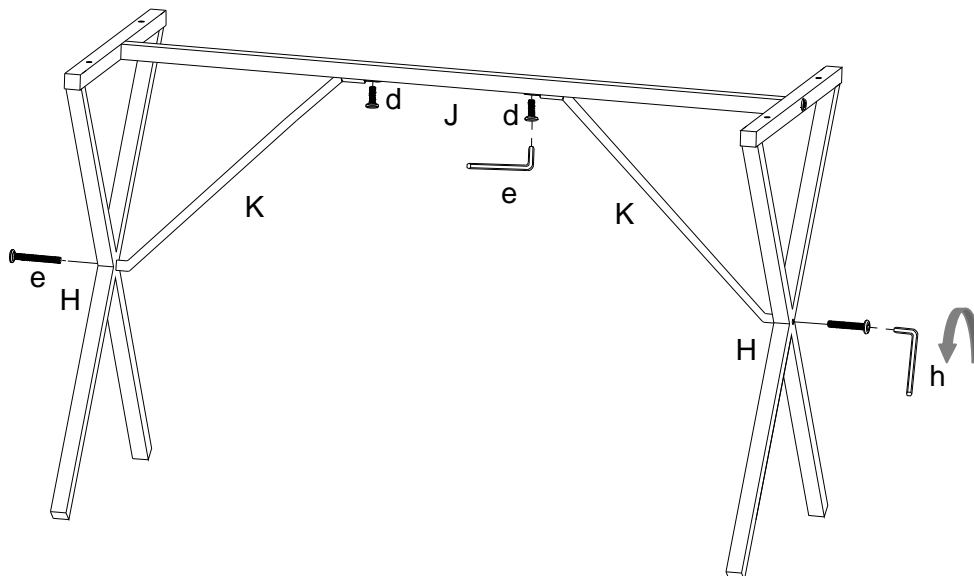
STEP 7:

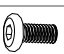


Attach the 1pc Support Rail (K) to the assembled Center Rail (J) by using 1pc Bolt (d).

Attach the 1pc Support Rail (K) to the assembled Legs (H) by using 1pc Bolt (e).

Use Allen Wrench (h) to tighten the Bolts (d&e) clockwise until secure.

Repeat the same step for the other Support Rail (J).

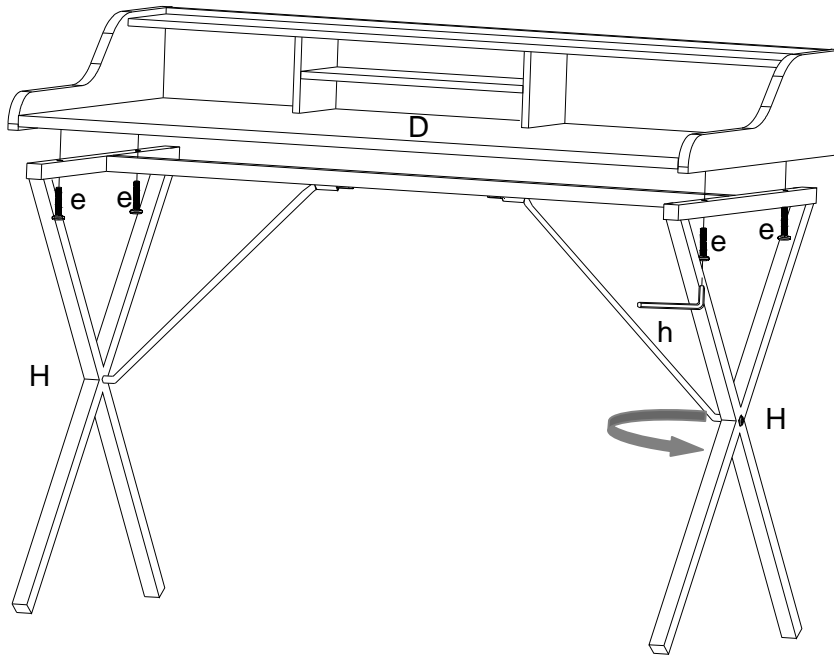




		
dx2	ex2	hx1

Hardware & Tools required

STEP 8:

Place the Assembled **Bottom Panel (D)** to the assembled **Legs (H)** as shown.
Attach them by using 4pcs **Bolt (e)** as shown.
Use **Allen Wrench (h)** to full tight the **Bolts (e)**.

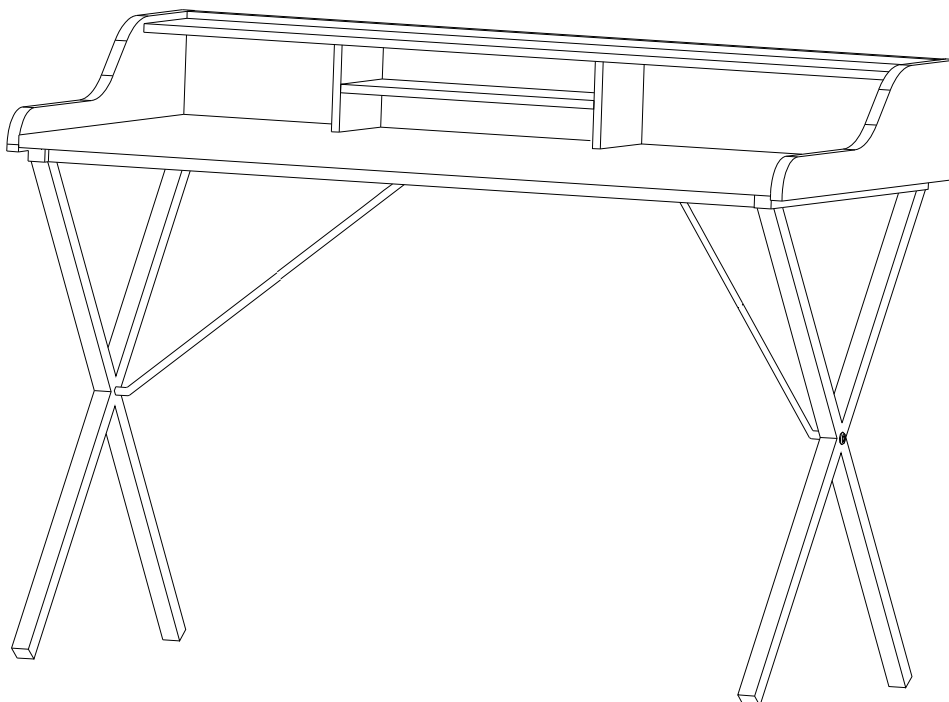


	
ex4	hx1

Hardware & Tools required

STEP 9:

Place the desk to your desired position.



Assembly is completed. The desk is ready to enjoy now!