

EEI-1804 Lounge Chair



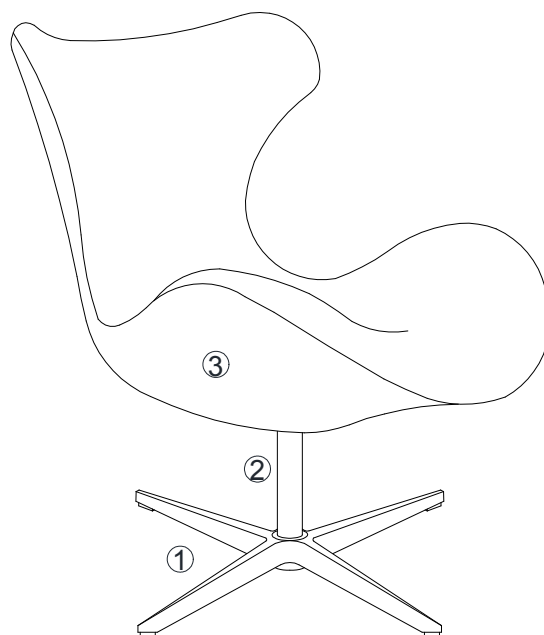
Thank you for purchasing the **MODWAY LOUNGE CHAIR**.

Before you start, here is some helpful advice:

1. We suggest you spend a short time reading through this leaflet and then follow the simple step-by-step instructions.
2. Owing to the size and weight of the chair, we recommend that it is assembled by two adults, on a carpeted or padded area, in the room that it is intended for. Approximate assembly time: 15 minutes.
3. Please do not use any tools other than those provided or recommended in these instructions.
4. Please do not throw away any of the packaging or the instruction until you have checked all the components and hardware and the furniture is fully assembled. Please ensure that the packaging is disposed of in a safe and environmentally friendly way.
5. Assemble all components loosely until advised to tighten. Depending on use, it may be necessary to tighten the components from time to time, so please save the tools that have been provided.
6. Please keep all fitting out of reach of children.



Component:

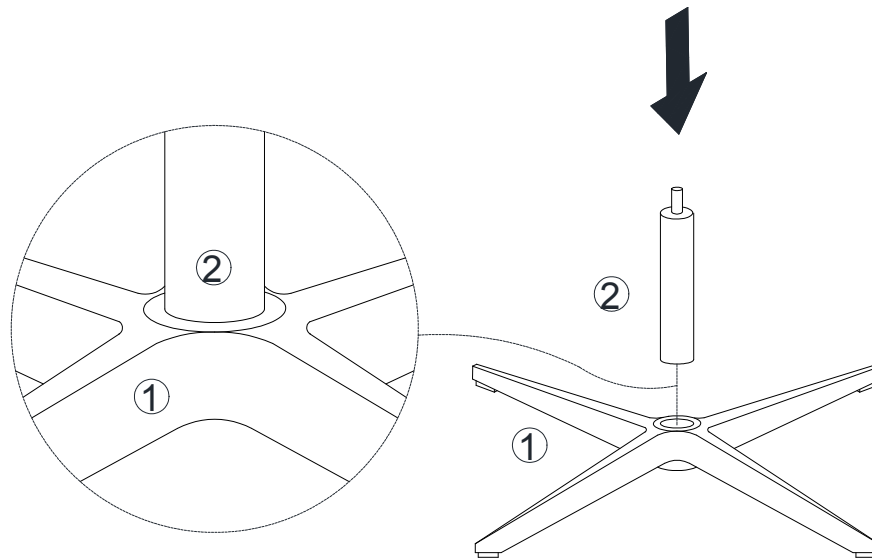


- 1 Base x1 2 Cylinder Column x1 3 Seat with Control Mechanism x1

EEI-1804 Lounge Chair

STEP 1:

Insert the **Cylinder Column (2)** into the **Base (1)** as shown.



STEP 2:

Insert **Seat with Control Mechanism (3)** into the **Cylinder Column (2)** as shown.

Assembly is completed. Your chair is ready to be used now!

