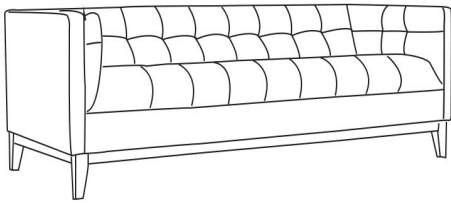


# EEI-2134/2135 CHAIR/SOFA

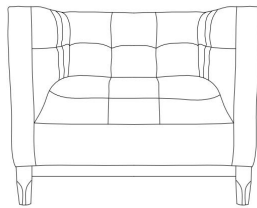
Thank you for purchasing the **MODWAY CHAIR/ SOFA!**

Before you start, here are some helpful advice:

1. We suggest you spend a short time reading through this leaflet and then follow the simple step-by step instructions.
2. Owing to the size and weight of the sofa, we recommend that it is assembled by two adults on a carpeted or padded area, in the room that it is intended for. Approximate time: 30 minutes.
3. Please do not use any tools other than those provided or recommended in these instructions.
4. Please do not throw away any of the packaging or instructions until you have checked all the components and hardware and the furniture is fully assembled.
5. Assemble all components loosely until advised to tighten. Depending on use, it may be necessary to tighten the component from time to time,so please save the tools that have been provided.
6. Please keep all pieces out of reach of children.






EEI-2135 SOFA

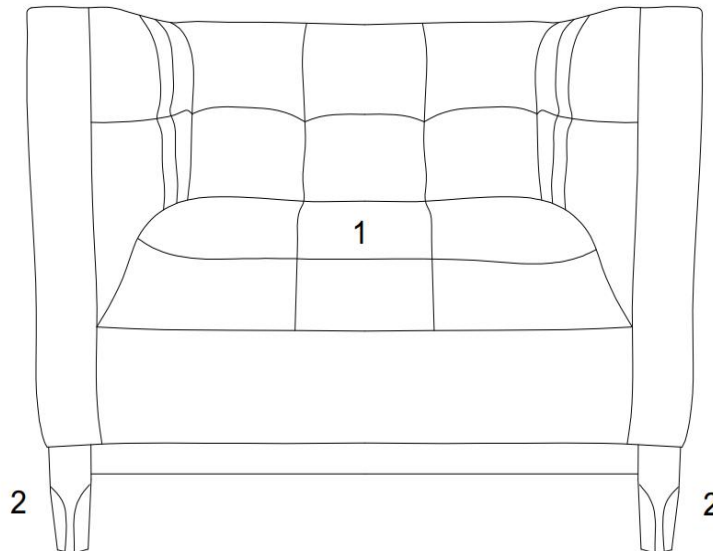


EEI-2134 CHAIR

### Hardware:

- |   |  |                    |
|---|--|--------------------|
| A |    | Bolt (M8*H70mm) x8 |
| B |   | Flat Washer x8     |
| C |  | Allen Wrench x1    |

### Components:



1. Chair Body x1

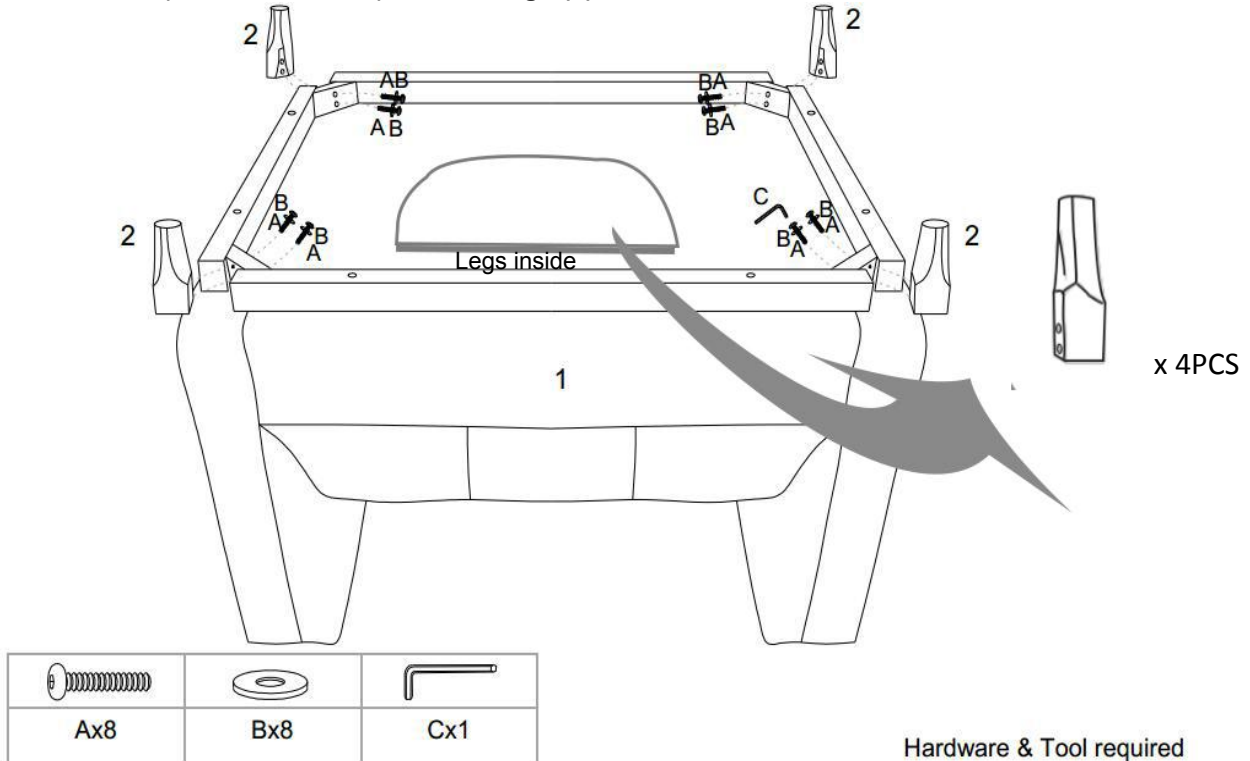
2. Leg x4

# EEI-2134/2135 CHAIR/SOFA

## STEP 1:

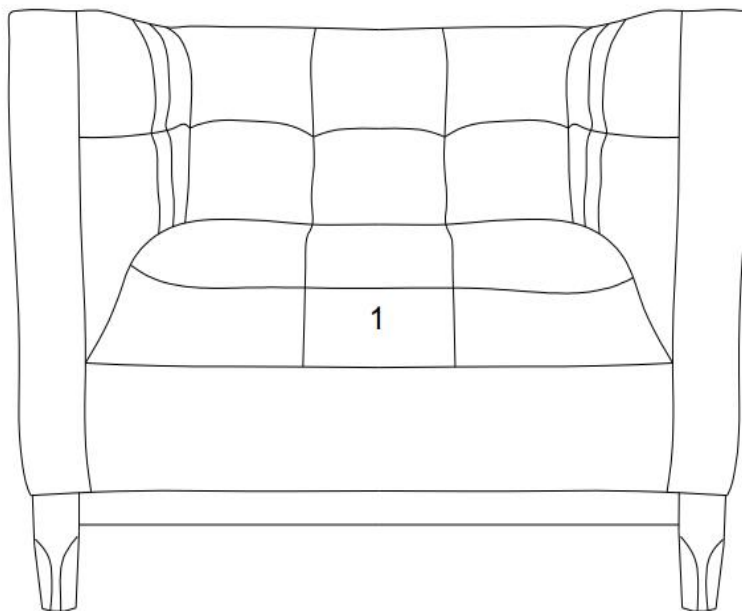
Please put the **Chair Body (1)** upside down on a carpeted or padded area by two adults to make the corners fully visible. Open the Zipper on the **Chair Body (1)** as shown, take out the packages of 4 pieces of **Legs (2)**, then close the Zipper on the bottom of **Chair Body (1)**.

Attach 1 piece of **Leg (2)** into the bottom of **Chair Body (1)** by using 2 pieces of **Bolts (A)** with 2 pieces of **Flat Washer (B)** through the holes as shown. Use **Allen Wrench (C)** to tighten the **Bolts (A)** clockwise until secure. Repeat the same steps for the other 3 pieces of **Legs (2)**.



## STEP 2:

Carefully turn over the **Chair Body (1)**.



Assembly is complete. The Chair is ready to enjoy now!