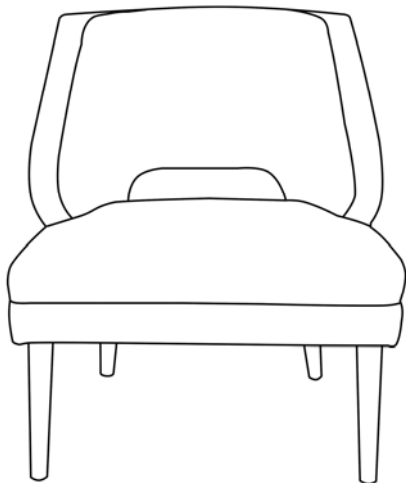






Thank you for purchasing the **MODWAY CHAIR!**

Before you start, here is some helpful advice:

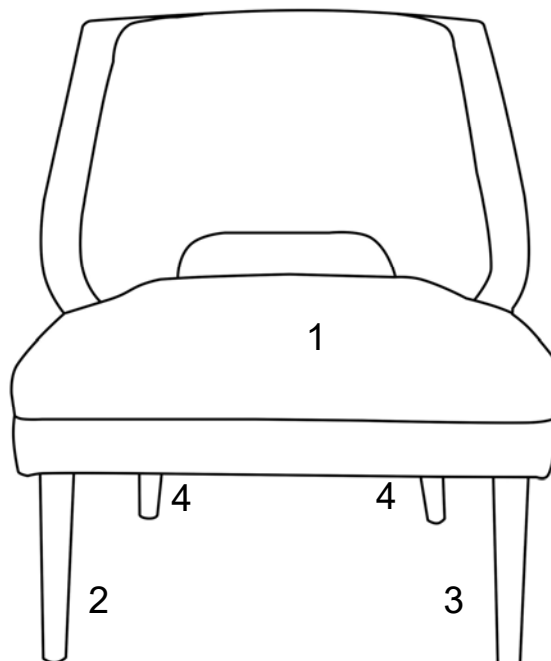
1. We suggest you spend a short time reading through this leaflet and then follow the simple step by step instructions.
2. Owing to the size and weight of the chair, we recommend that it is assembled by two adults, on a carpeted or padded area, in the room that it is intended for. Approximate assembly time: 30 minutes.
3. Please do not use any tools other than those provided or recommended in these instructions.
4. Please do not throw away any of the packaging or instructions until you have checked all the components and hardware and the furniture is fully assembled.
5. Assemble all components loosely until advised to tighten. Depending on use, it may be necessary to tighten the components from time to time, so please save the tools that have been provided.
6. Please keep all pieces out of reach of small children.



Hardware:

A		Bolt	x 8
B		Spring Washer	x 8
C		Flat Washer	x 8
D		Allen Wrench	x 1

Component:



1	Chair Body	x1	2	Left Front Leg	x1	3	Right Front Leg	x1	4	Back Leg	x2
---	------------	----	---	----------------	----	---	-----------------	----	---	----------	----

STEP 1:

Please find the package of **Legs (2&3&4)** and hardware on the top of the seat.

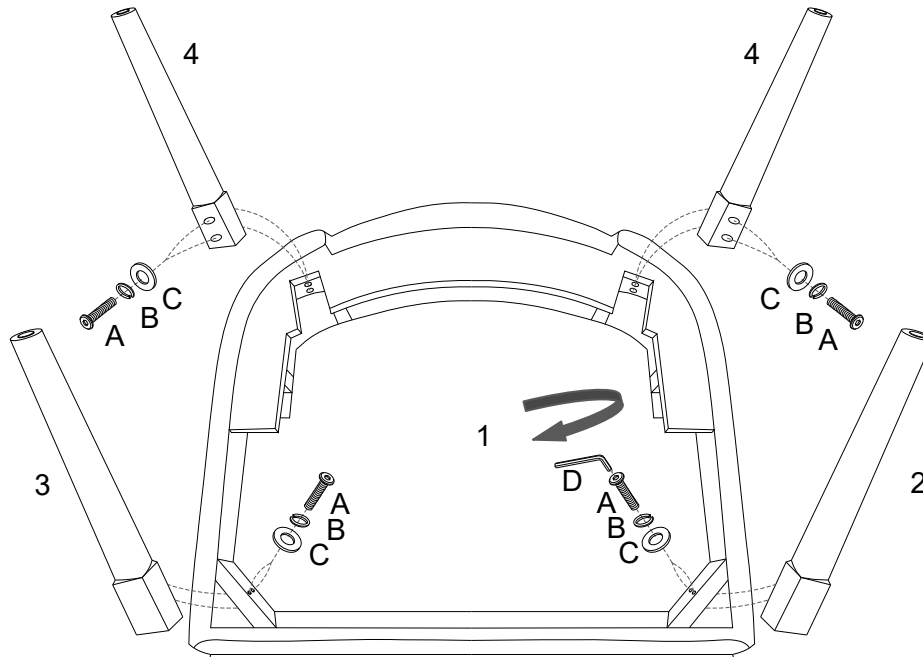
Then put the **Chair Body (1)** upside down on a carpeted or padded area by two adults to make the corners fully visible . Position the **Left Front Legs (2)** at the right lower corner on the bottom of **Chair Body (1)** as shown.



Insert 2 pieces of **Spring Washer (B)** and 2 pieces of **Flat Washer (C)** into 2 pieces of **Bolts (A)**.

Then insert the assembled 2 pieces of **Bolts (A)** into the corner to connect the **Leg (2)**.

Use **Allen Wrench (D)** to tighten the **Bolts (A)** clockwise until secure.

Repeat the same steps for the other 1 piece of **Right Front Leg (3)** and 2 pieces of **Back Legs (3)**.

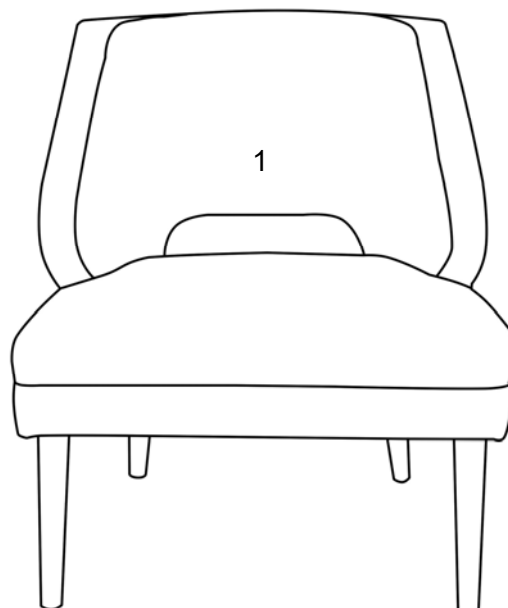


			
Ax8	Bx8	Cx8	Dx1

Hardware & Tool required

STEP 2:

Carefully turn over the assembled **Chair Body (1)** as shown.



Assembly is completed. The chair is ready to enjoy now!