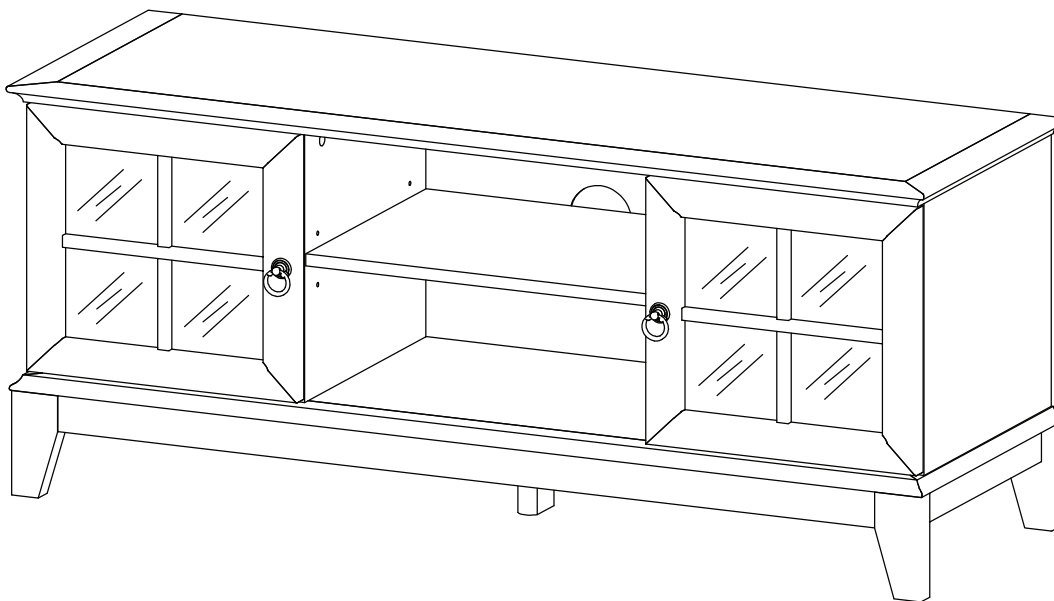


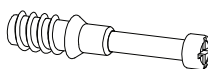
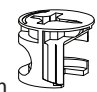
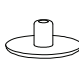
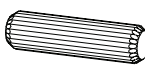
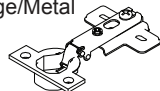



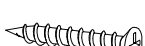






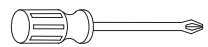
Thank you for purchasing the **MODWAY TV Stand** !

Before you start, here are some helpful advice:

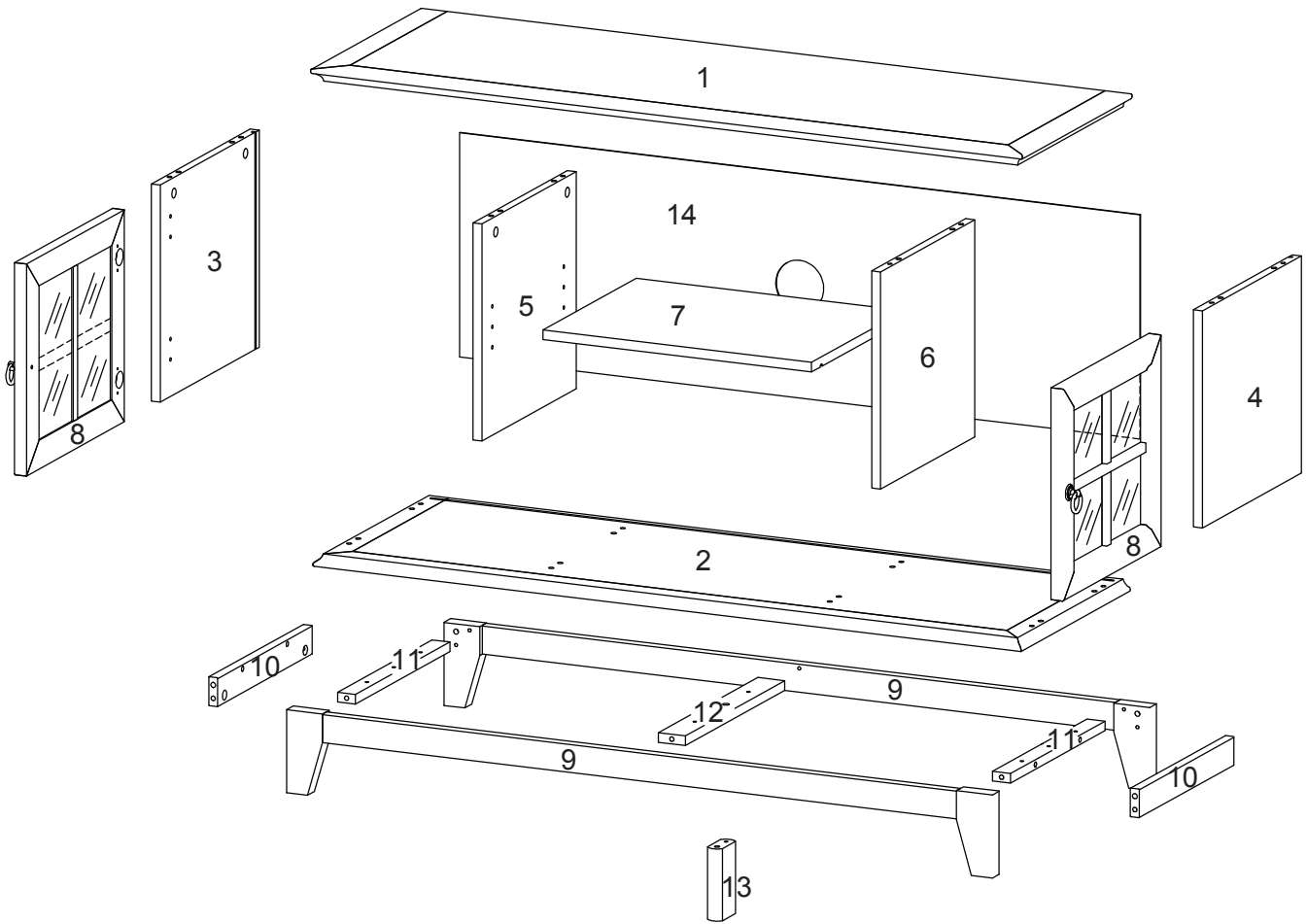
1. We suggest you spend a short time reading through this leaflet and then follow the simple step-by-step instructions.
2. Owing to the size and weight of the Tv Stand, we recommend that it is assembled by two adults, on a carpeted or padded area, in the room that it is intended for. Approximate assembly time: 60 minutes.
3. Please do not use any tools other than those provided or recommended in these instructions.
4. Please do not throw away any of the packaging or instructions until you have checked all the components and hardware and the furniture is fully assembled.
5. Assemble all components loosely until advised to tighten. Depending on use, it may be necessary to tighten the components from time to time, so please save the tools that have been provided.
6. Please keep all pieces out of reach of children.



Hardware :

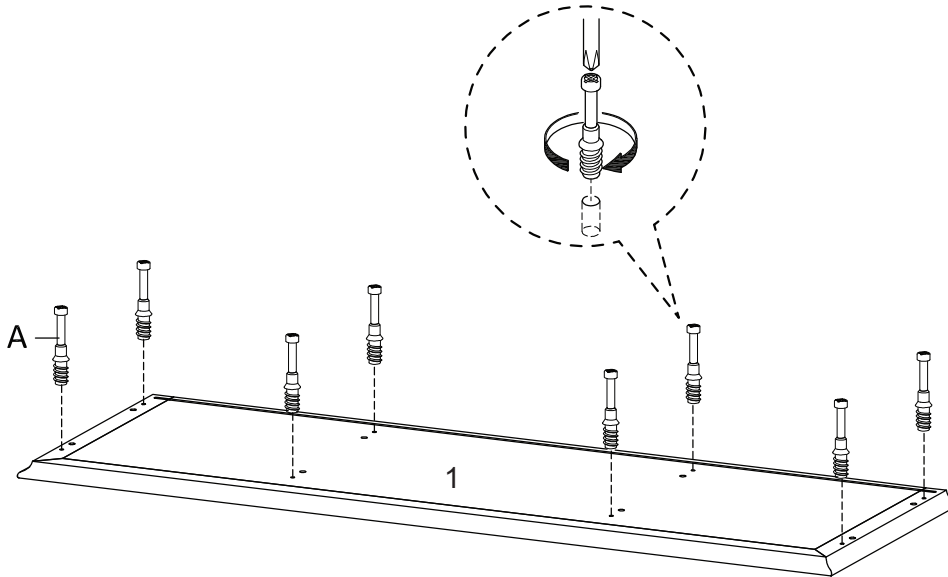
A) Cambolt/Metal  \varnothing 6 x 35 mm x 18	B) CamLock/Metal  \varnothing 15 mm x 18	C) Screw Cup/Plastic  \varnothing 15 mm x 8	D) Dowel/Wood  \varnothing 8 x 30 mm x 25	E) Hinge/Metal  86 x 53 x 19.5 x 4
F) Shelf Pin/Metal  \varnothing 5 x 15 mm x 4	G) Screw/Metal  M 6.5 x 10.5 mm x 8	H) Screw/Metal  M 3.5 x 15.5 mm x 8	I) Screw/Metal  M 3.5 x 25 mm x 8	J) Screw/Metal  M 7 x 50 mm x 9
K) Key/Metal  L 4 x 1	L) Handle&Screw/Metal  x 2	M) Buffer/Rubber  \varnothing 8 mm x 4	N) Wedge/Plastic  9 x 14 x 10 mm x 10	O) Screw/Metal  M 3.5 x 15.5 mm x 10
P) x 1  Screwdriver (Not Include)				

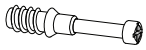
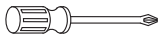
Components:



1	Top Board	x1	2	Bottom Board	x1	3	Side Board Left	x1	4	Side Board Right	x1
5	Centre Board Left	x1	6	Centre Board Right	x1	7	Adjustable Shelf	x1	8	Wooden Door	x2
9	Large Leg	x2	10	Support Board 1	x2	11	Support Board 2	x2	12	Support Board 3	x1
13	Small Leg	x1	14	Back Board	x1						

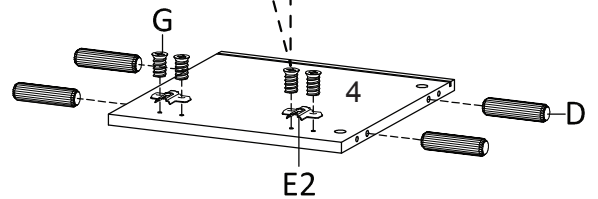
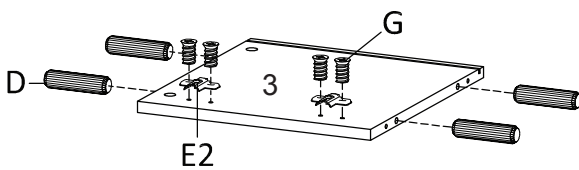
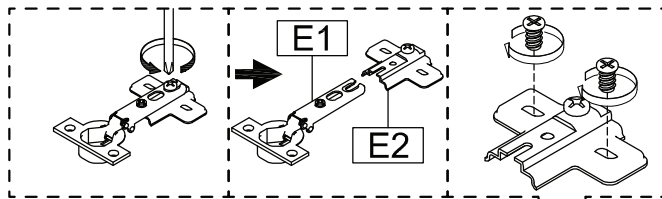
STEP 1:



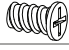
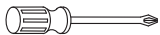


	
Ax8	Px1

Hardware required. Screwdriver not included

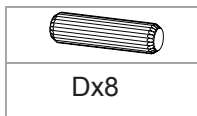
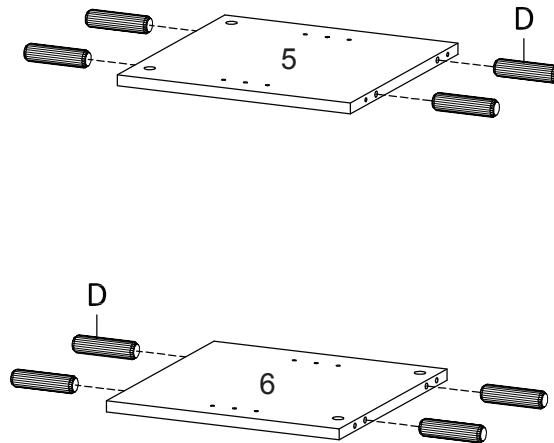
STEP 2:



			
Dx8	Ex4	Gx8	Px1

Hardware required. Screwdriver not included

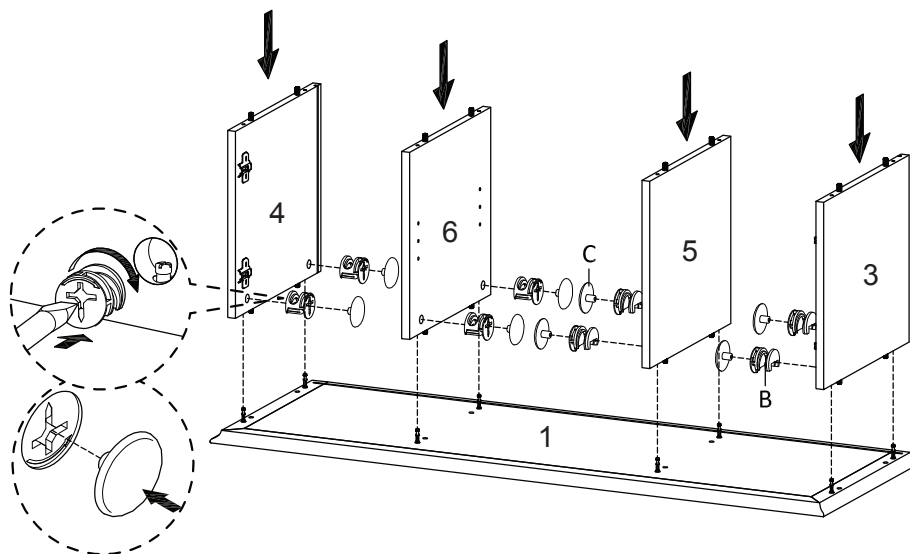
STEP 3:



Dx8

Hardware required

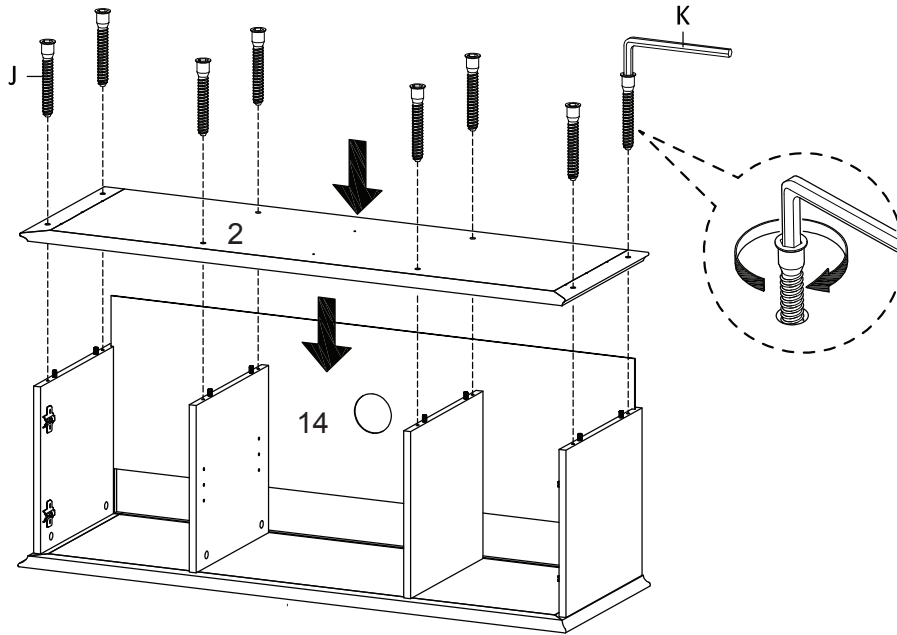
STEP 4:





Bx8	Cx8	Px1

Hardware required. Screwdriver not included

STEP 5:

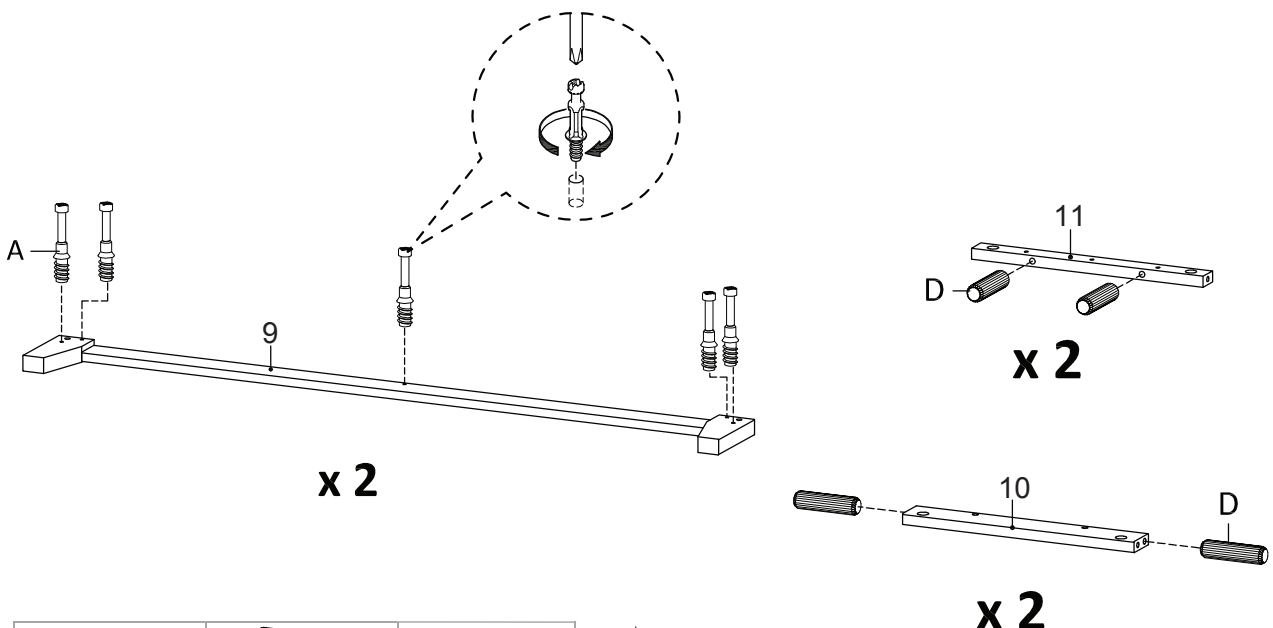





Attention: Insert part 14 (Back Board) first and then part 2 (Bottom Board).

	
Jx8	Kx1

Hardware & Tool required

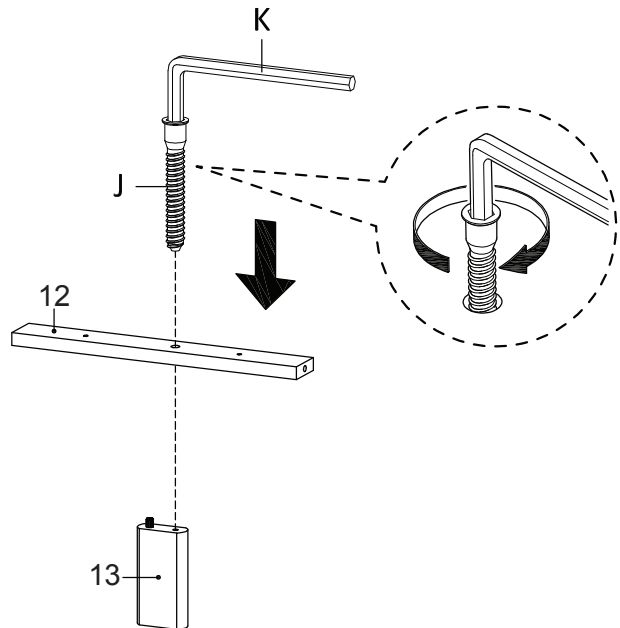
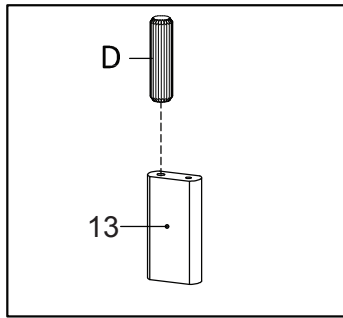
STEP 6:



		
Ax10	Dx8	Px1

Hardware required. Screwdriver not included

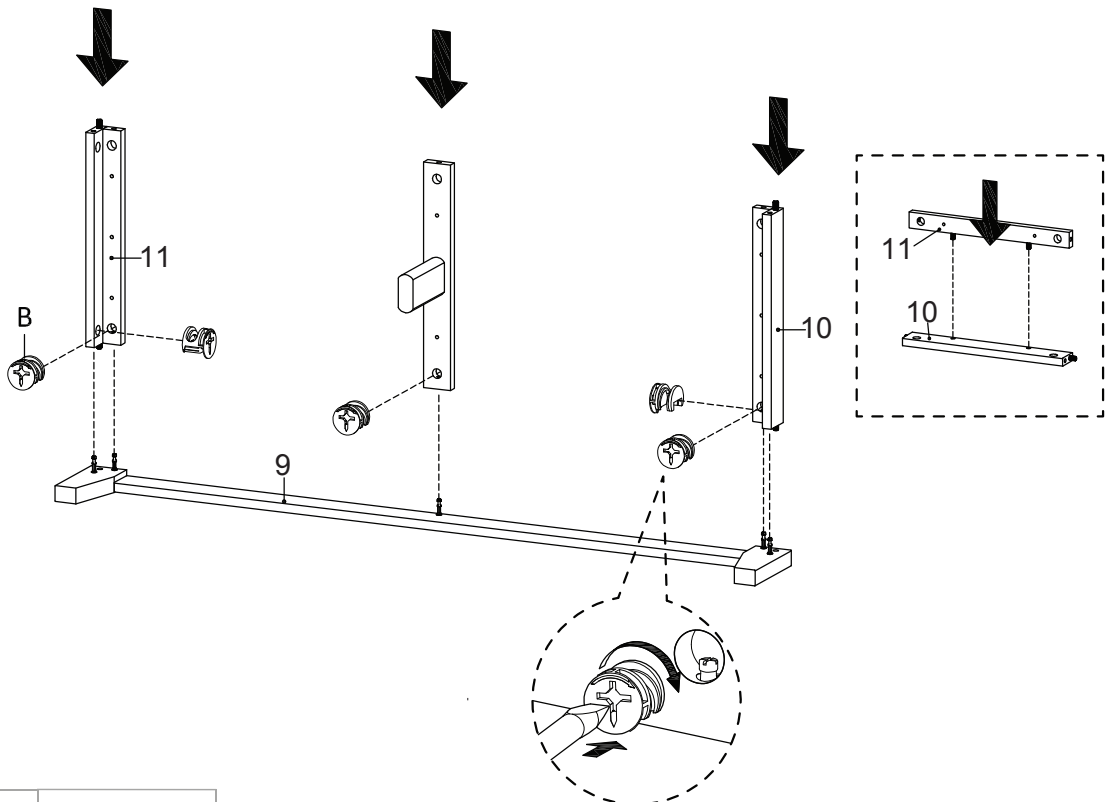
STEP 7:



Dx1	Jx1	K

Hardware & Tool required

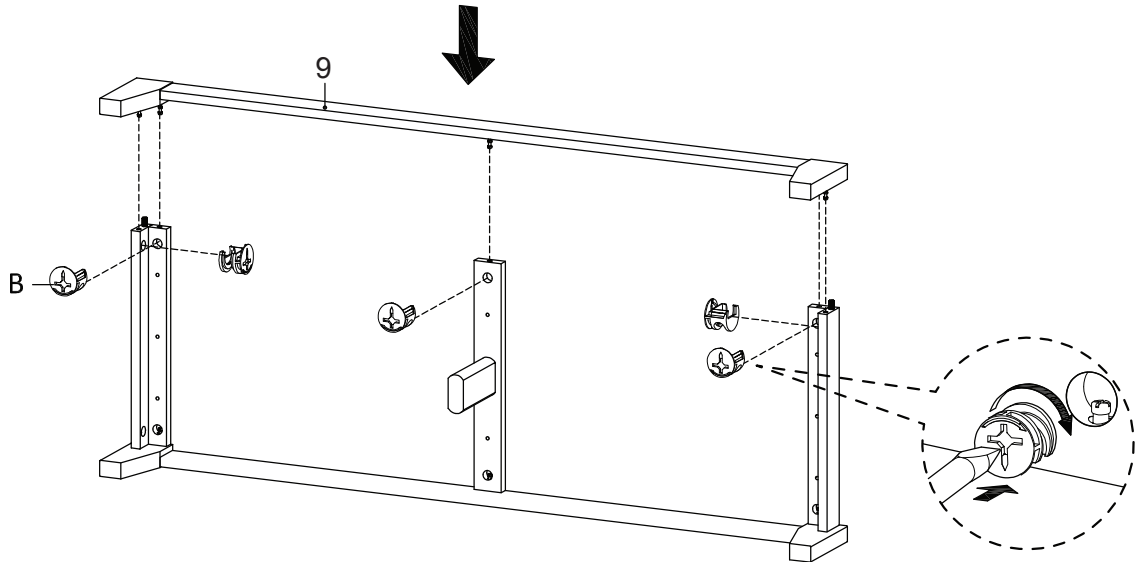
STEP 8:


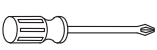


Bx5	Px1

Hardware required. Screwdriver not included

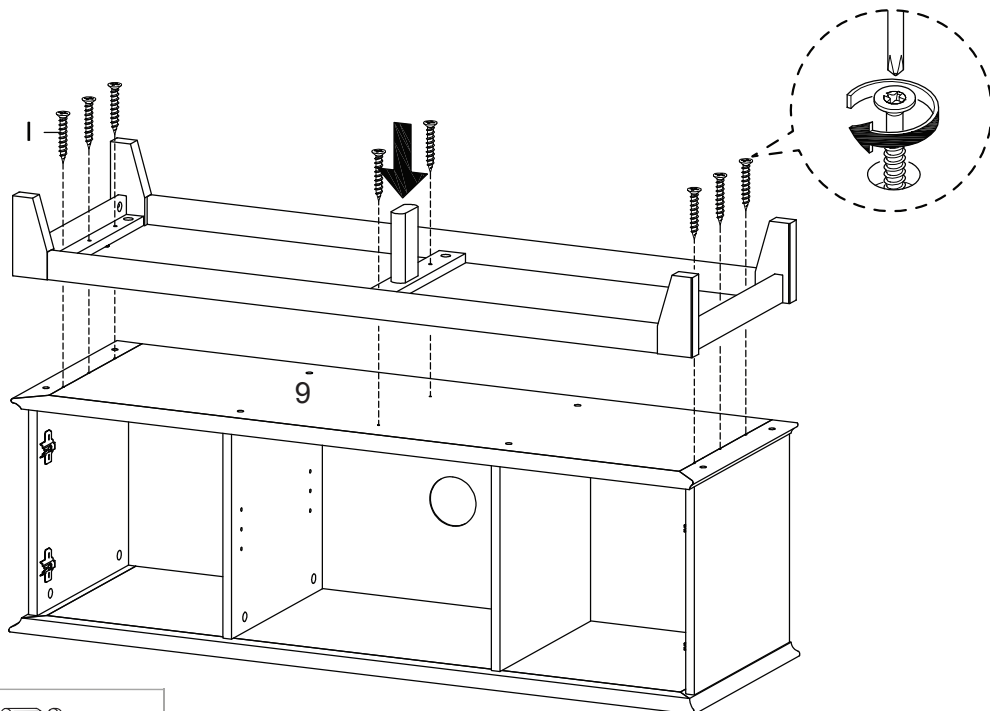
STEP 9:


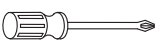


	
Bx5	Px1

Hardware required. Screwdriver not included

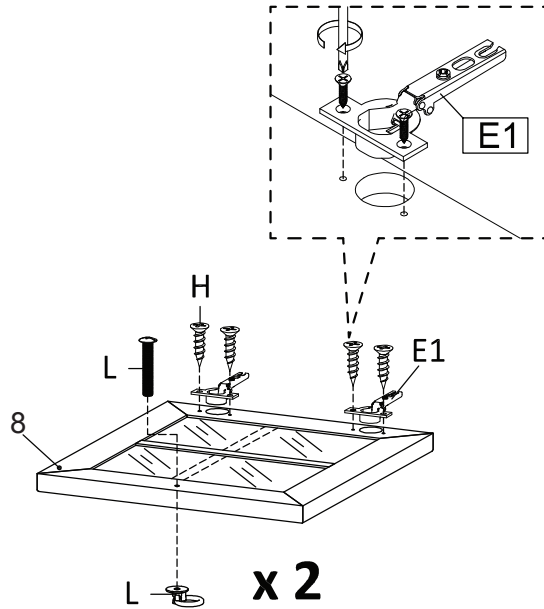
STEP 10:



	
1x8	Px1

Hardware required. Screwdriver not included

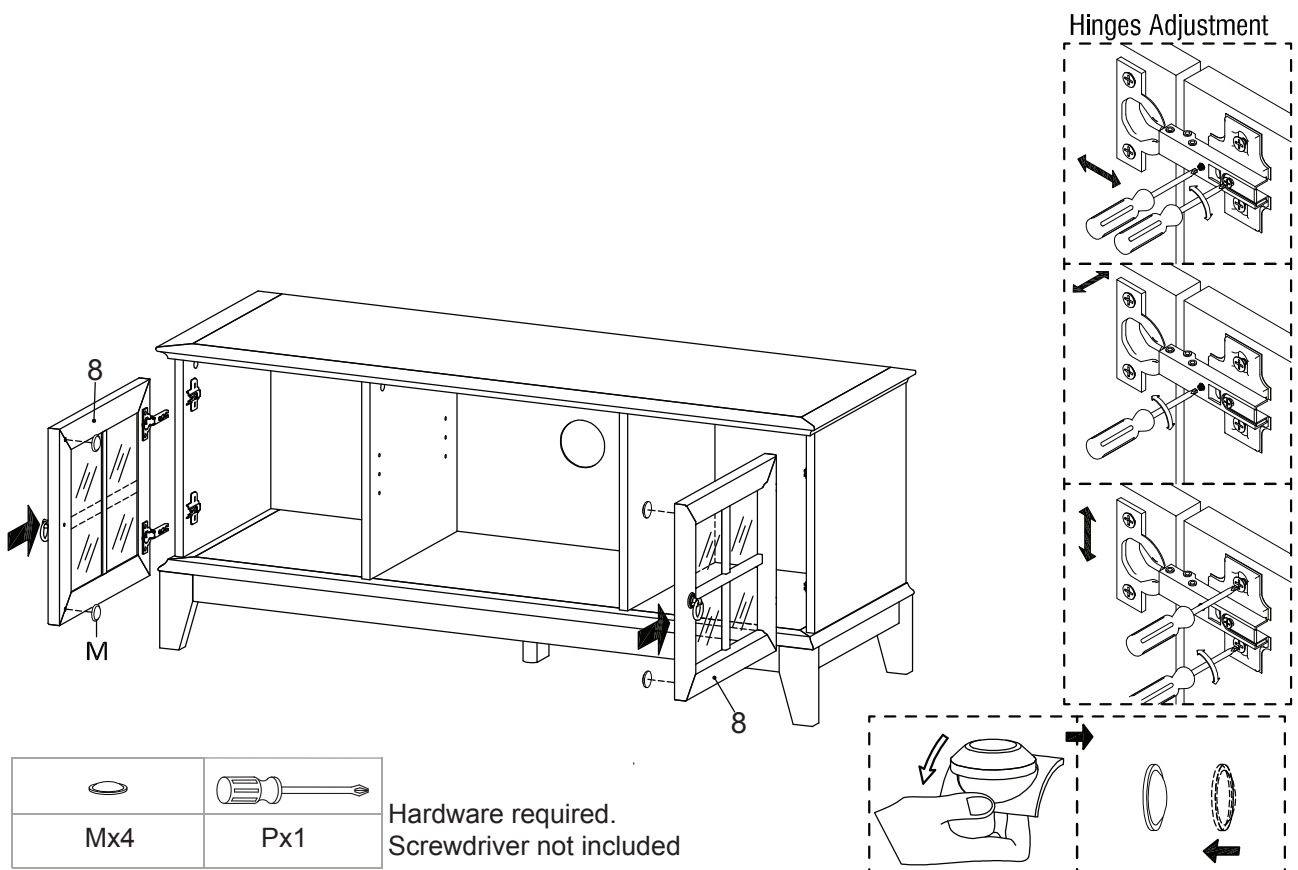
STEP 11:



Ex2	Hx8	Lx2	Px1

Hardware required. Screwdriver not included

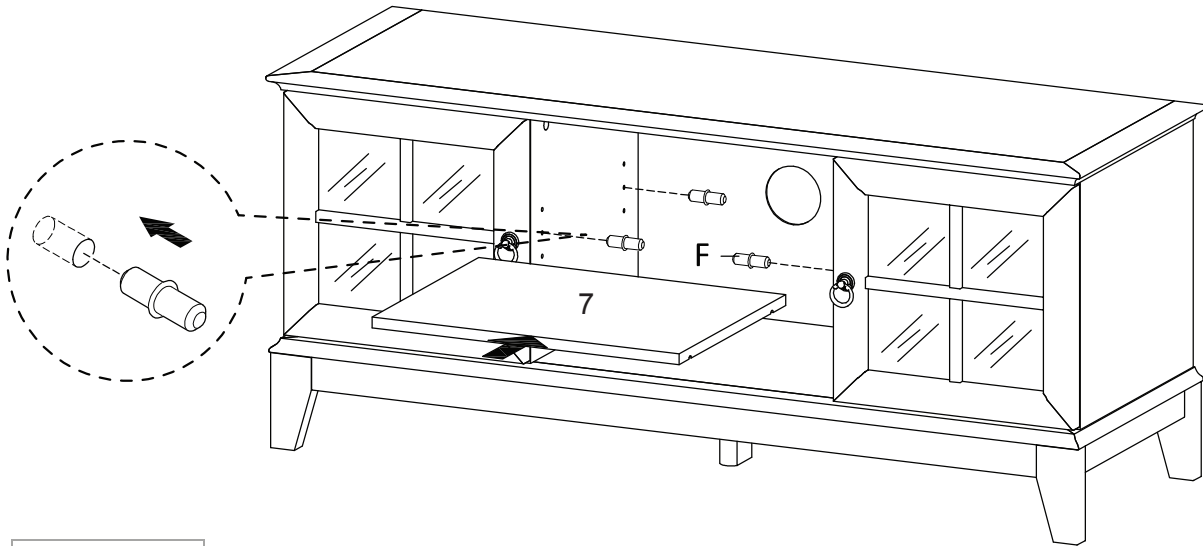
STEP 12:



Mx4	Px1

Hardware required.
Screwdriver not included

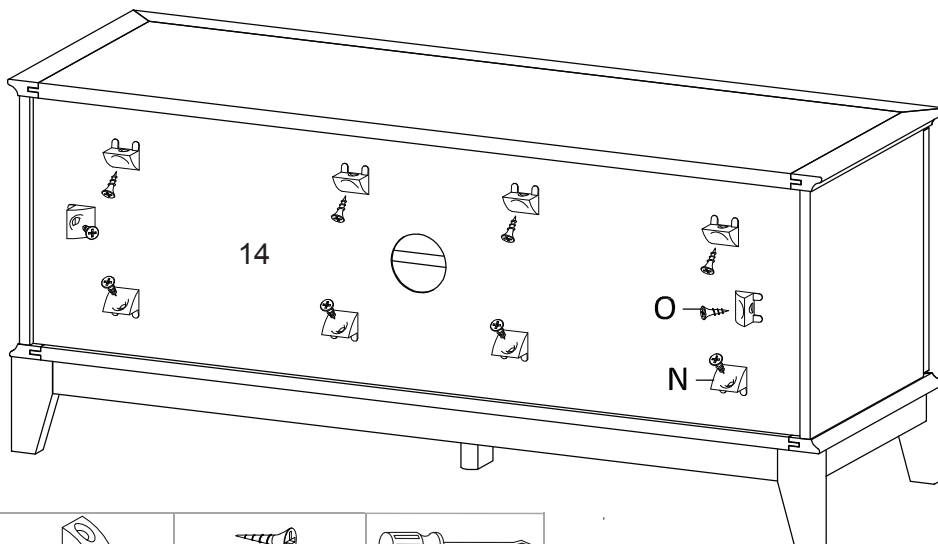
STEP 13:



Fx4

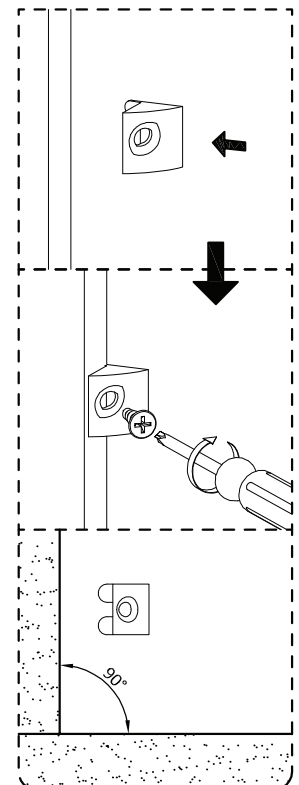
Hardware required

STEP 14:

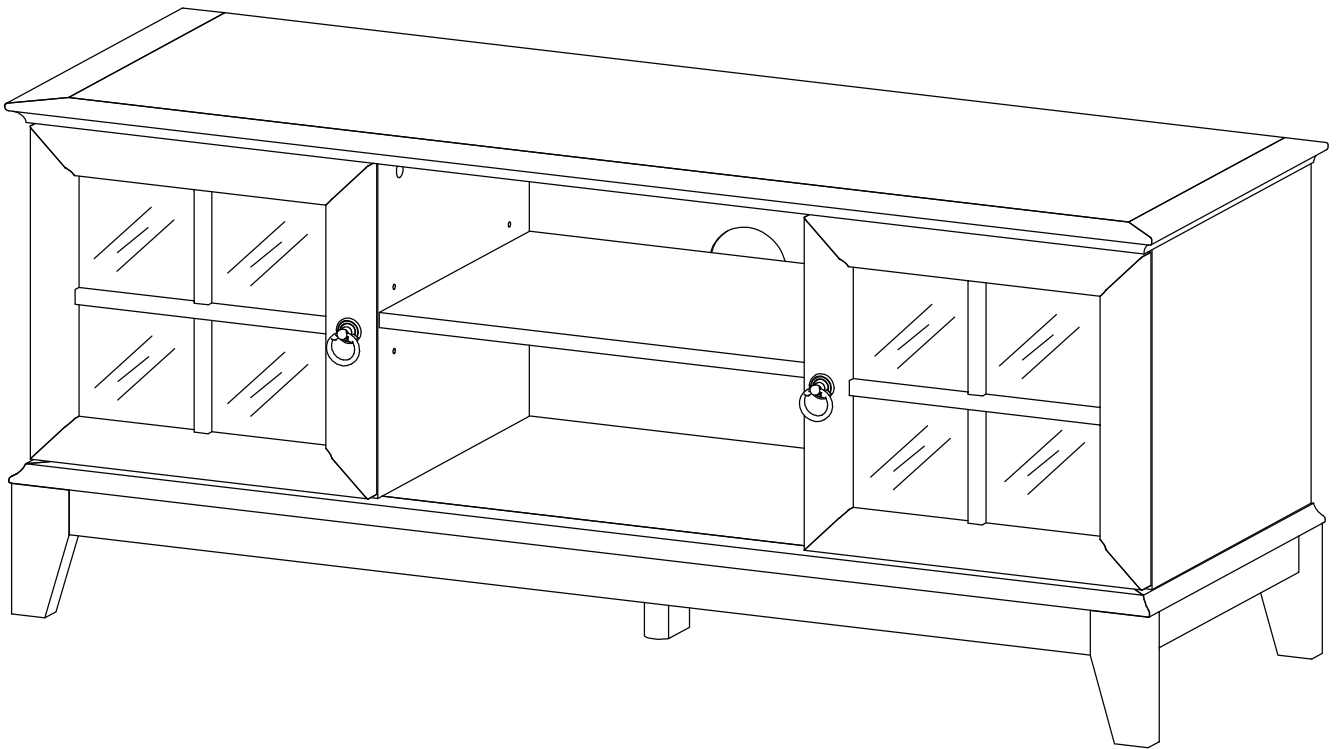


Nx10	Ox10	Px1

Hardware required.
Screwdriver not included



STEP 15:



Assembly is complete. The TV Stand is ready to enjoy now !