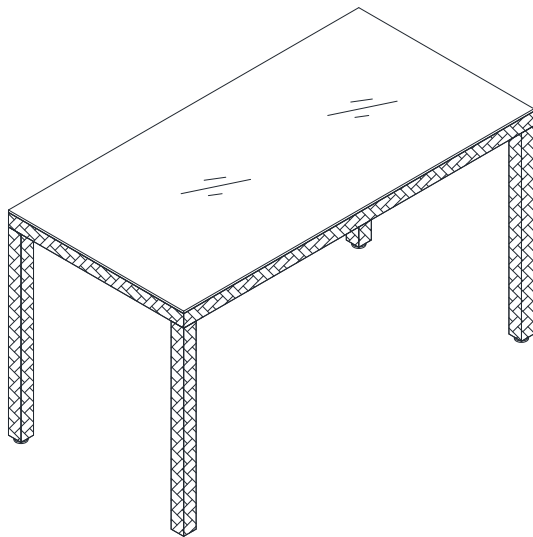


EEI -2921 Dining Table






Thank you for purchasing the MODWAY DINING TABLE !

Before you start, here is some helpful advice:

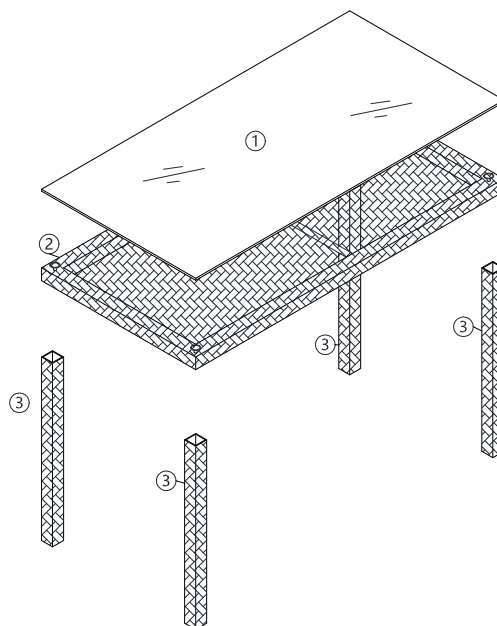
1. We suggest you spend a short time reading through this leaflet and then follow the simple step-by-step instructions.
2. Owing to the size and weight of the table, we recommend that it is assembled by two adults, on a carpeted or padded area, in the room that it is intended for. Approximate assembly time: 30 minutes.
3. Please do not use any tools other than those provided or recommended in these instructions.
4. Please do not throw away any of the packaging or the instruction until you have checked all the components and hardware and the furniture is fully assembled. Please ensure that the packaging is disposed of in a safe and environmentally friendly way.
5. Assemble all components loosely until advised to tighten. Depending on use, it may be necessary to tighten the components from time to time, so please save the tools that have been provided.
6. Please keep all fitting out of reach of children.



Hardware:

- | | | | |
|----|--|------------------|-----|
| A. |  | Bolt M9.5x700mm | x 4 |
| B. |  | Flat Washer M9.5 | x 4 |
| C. |  | Nut M9.5 | x4 |
| D. |  | Wrench M9.5 | x1 |
| E. |  | Tube Plug | x4 |

Component:



1 Glass x1

2 Top Panel x1

3 Leg x4

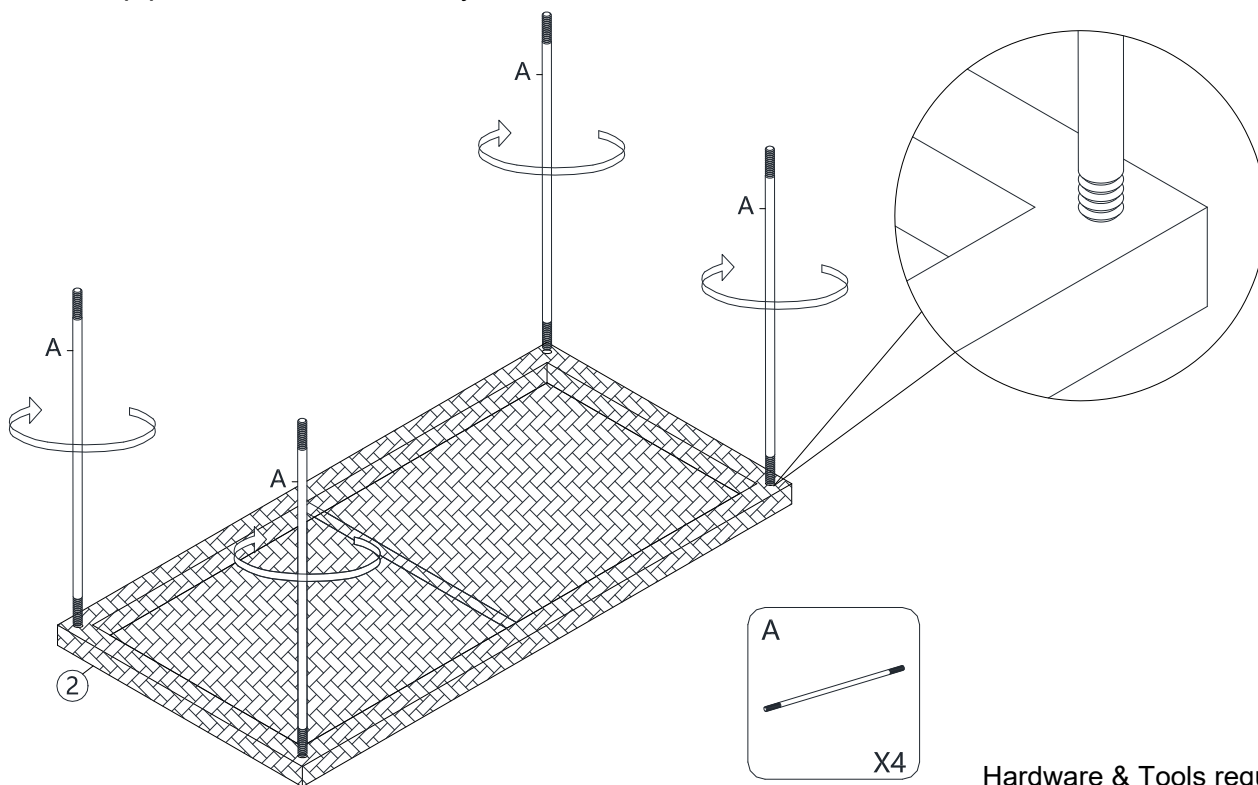
EEI -2921 Dining Table

STEP 1:

Put **Top Panel (2)** on a carpeted or padded surface.

Insert 4 pieces of **Bolts (A)** into the pre-drilled holes on back of **Top Panel (2)**.

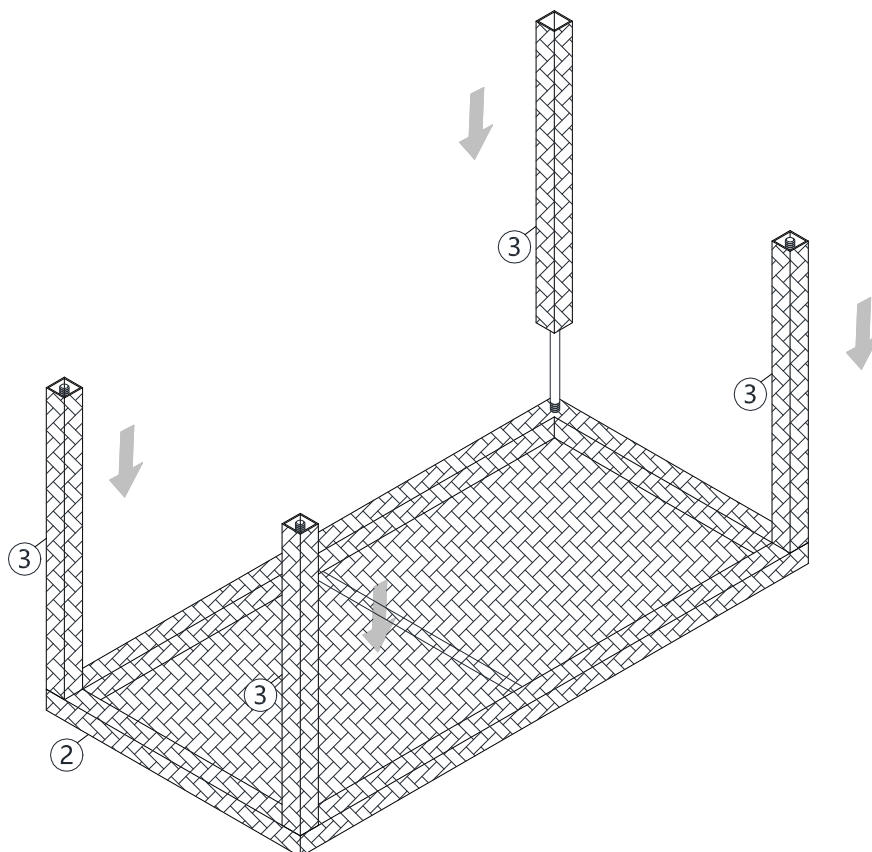
Tighten **Bolts (A)** clockwise until secure by hand.



Hardware & Tools required

STEP 2:

Insert 4 pieces of **Leg (3)** on **Bolts (A)** through the pre-drilled holes on **Leg (3)**.

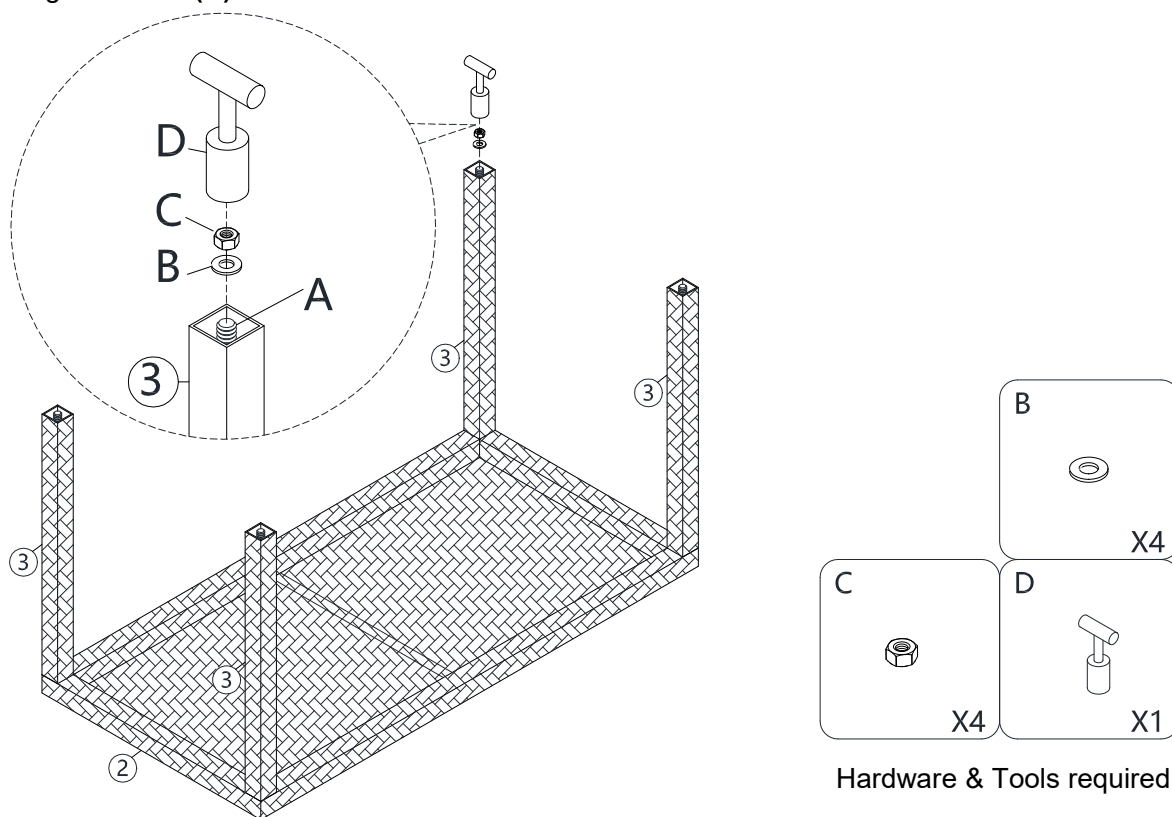


EEI -2921 Dining Table

STEP 3:

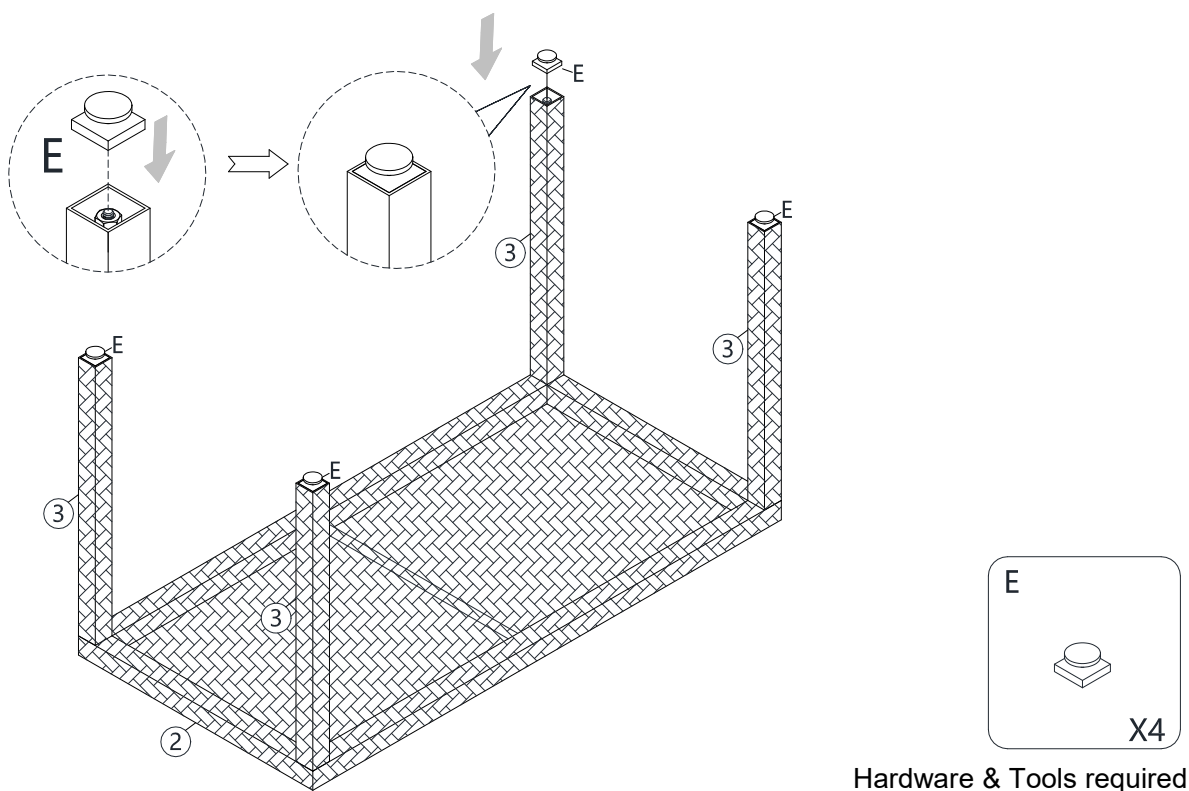
Insert 4 pieces of **Nuts (C)** with 4 pieces of **Flat Washers (B)** into the pre-drilled holes on **Leg (3)** to the end of assembled **Bolts (A)**.

Use **Wrench (D)** to tighten **Nuts (C)** clockwise until secure.



STEP 4:

Insert 4 pieces of **Tube Plug (E)** into the end of pre-drilled holes on **Leg (3)** as shown.

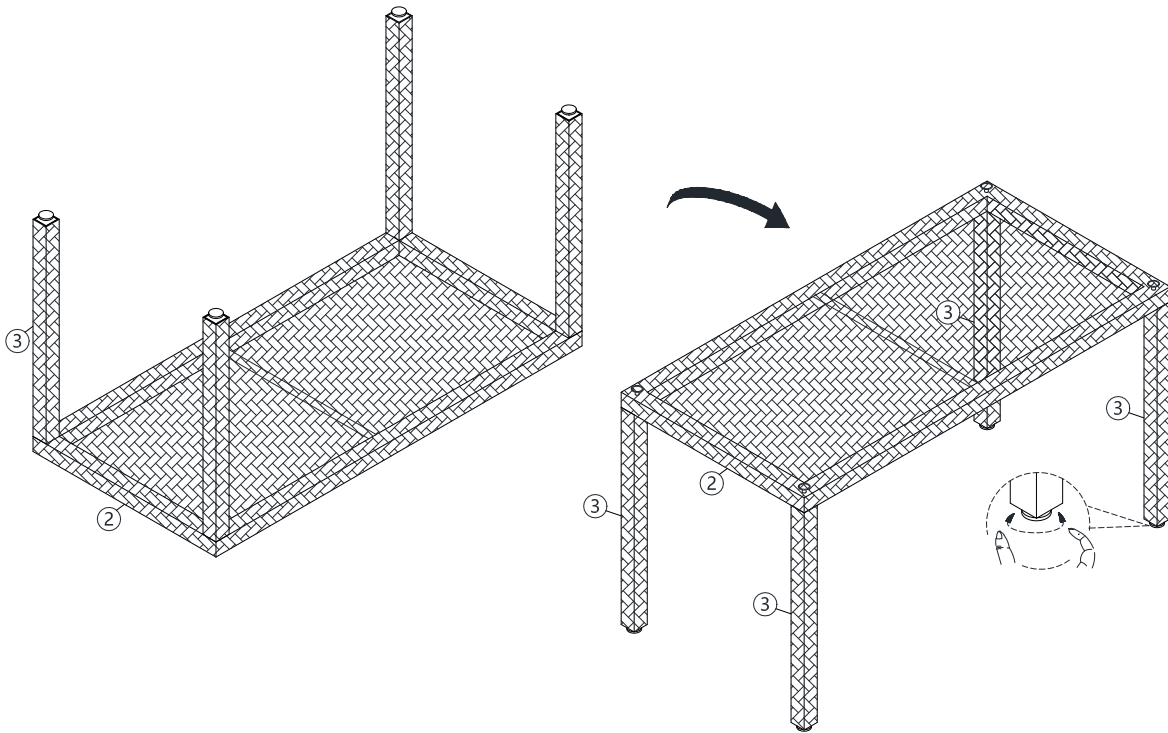


EEI -2921 Dining Table

STEP 5:

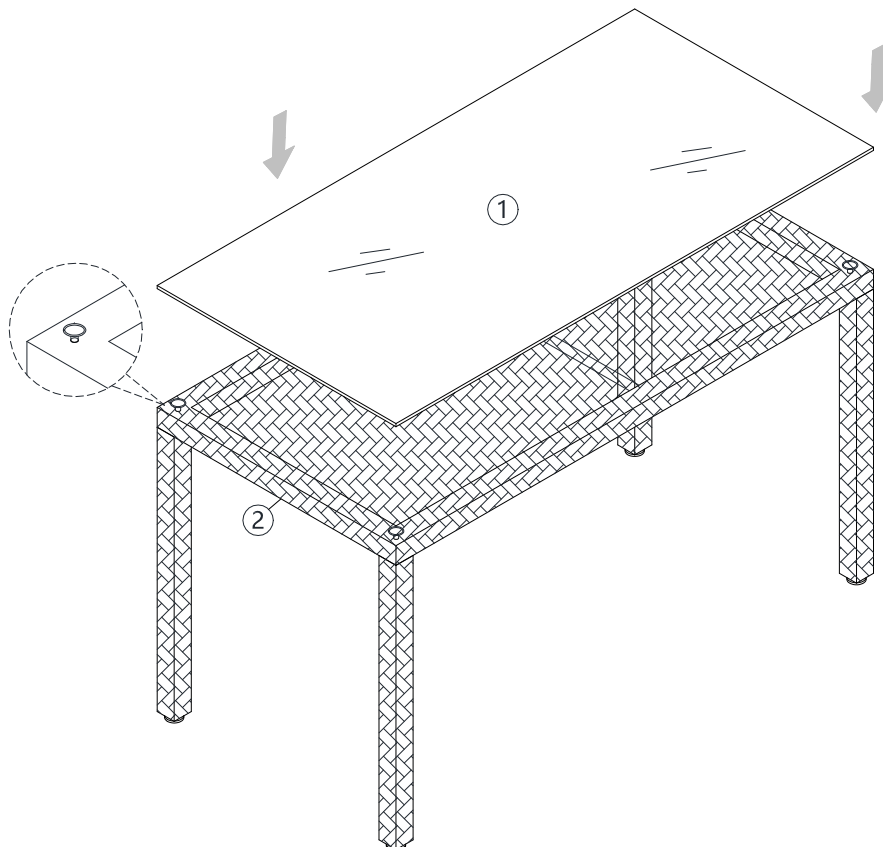
Carefully turn over the assembled dining table.

If the table is not level, please adjust **Tube Plug (E)** on the end of the legs by hand as shown.



STEP 6:

Then carefully put **Glass (1)** on **Top Panel (2)** as shown.



EEI -2921 Dining Table

STEP 7:

Assembly is complete. Your dining table is ready to be used now!

