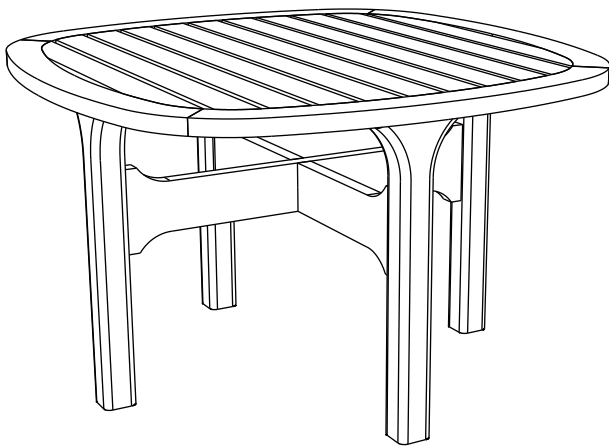



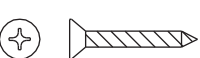
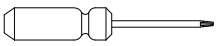

Thank you for purchasing the **MODWAY COFFEE TABLE!**

Before you start, here are some helpful advice:

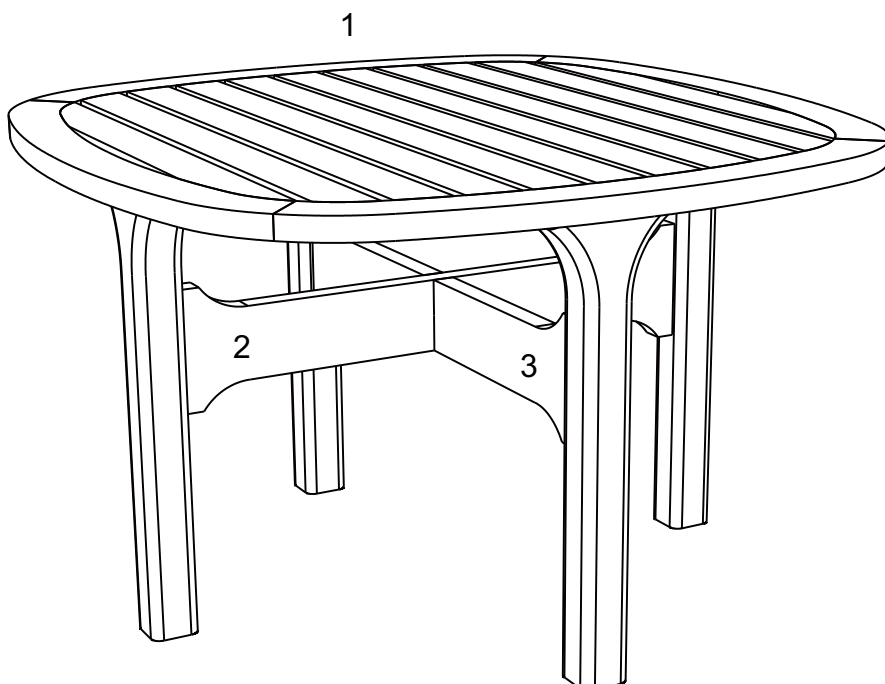
1. We suggest you spend a short time reading through this leaflet and then follow the simple step by step instructions.
2. Owing to the size and weight of the coffee table, we recommend that it is assembled by two adults, on a carpeted or padded area, in the room that it is intended for. Approximate assembly time: 30 minutes.
3. Please do not use any tools other than those provided or recommended in these instructions.
4. Please do not throw away any of the packaging or instructions until you have checked all the components and hardware and the furniture is fully assembled.
5. Assemble all components loosely until advised to tighten. Depending on use, it may be necessary to tighten the components from time to time, so please save the tools that have been provided.
6. Please keep all pieces out of reach of small children.



Hardware:

A		Bolt M6x50mm	x 1
B		Screws	x 24
C		Screwdriver	x 1
D		Allen Wrench M4	x 1

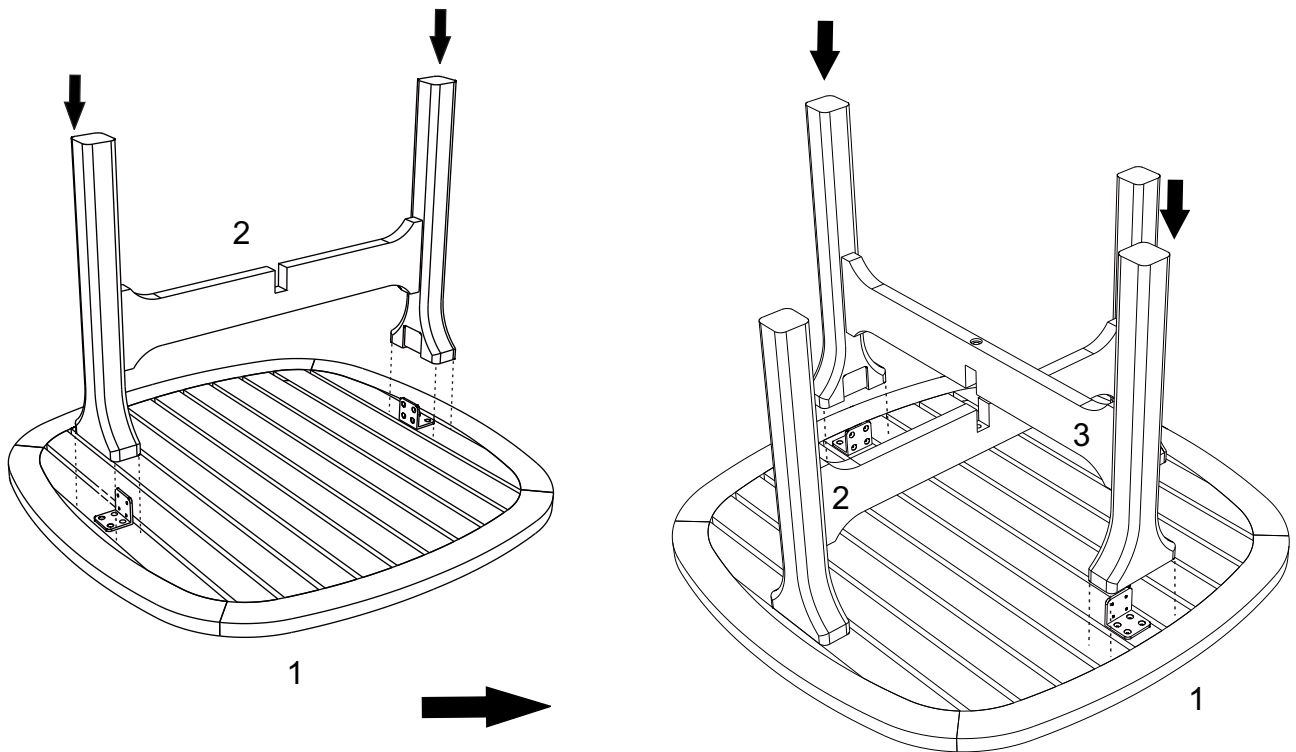
Component:



1.	Top Table	x2
2.	One part Legs	x1
3.	Two part Legs	x1

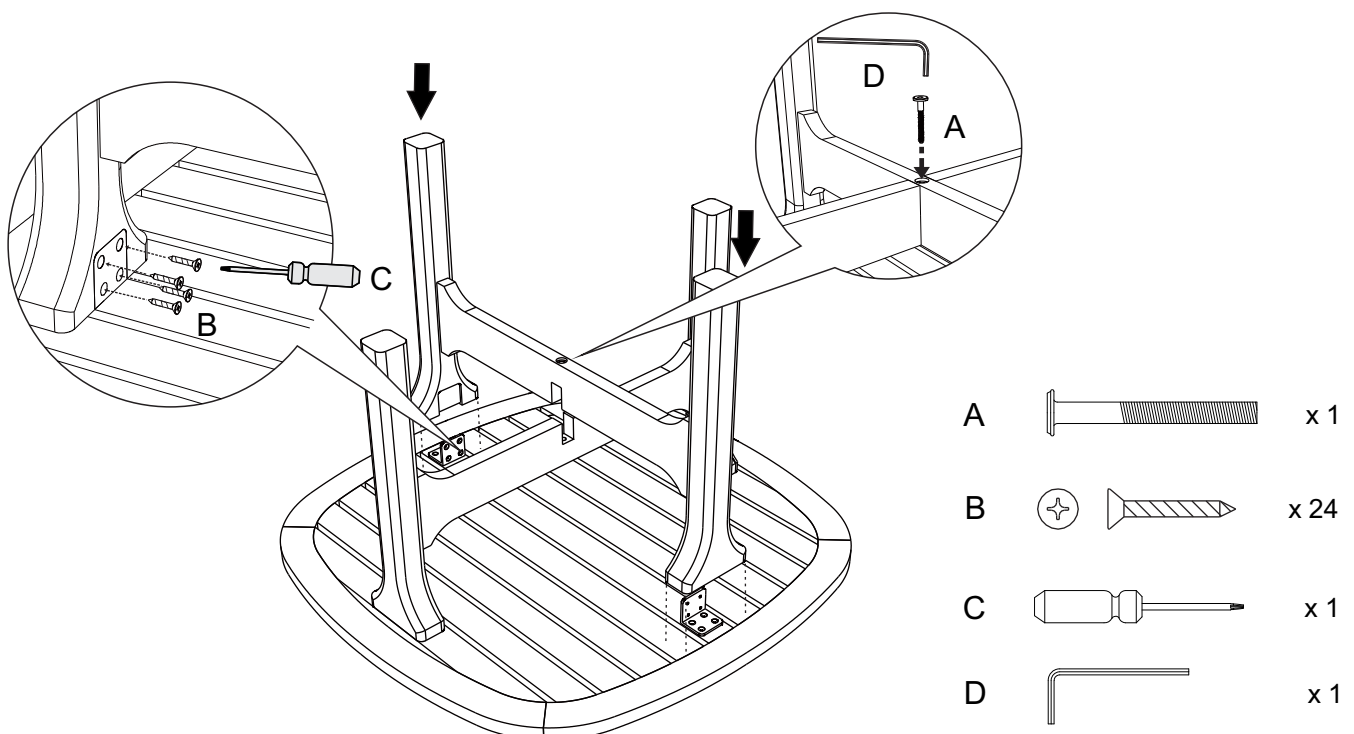
STEP 1:

Please put back side of **Top Table (1)** on a carpeted or padded area. Insert the **One part Legs (2)** into the metal hinges or metal support. Insert the **Two part Legs (3)** through middle cut.



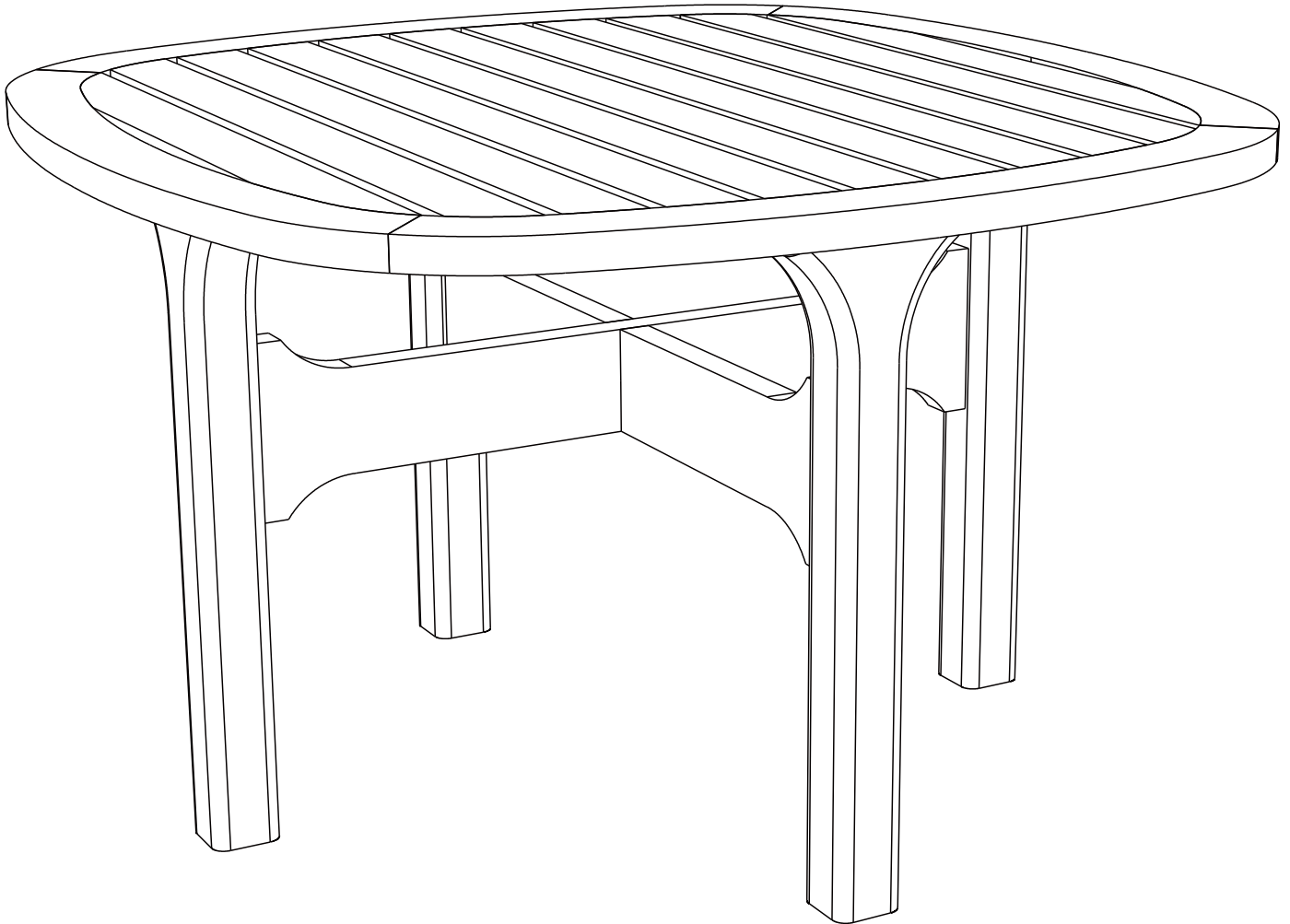
STEP 2:

Insert 4 pieces of **Screw (B)** from metal hinges to the **Part Legs** as shown. Tighten it with **Screwdriver (C)**, repeat the procedure to the other sides of the **Legs**. Insert **Bolt (A)** in the middle wooden cut and tighten with **Allen Wrench (D)**.



STEP 3:

Carefully turn over the assembled Coffee Table.



Assembly is complete. Your coffee table is ready to be used now!