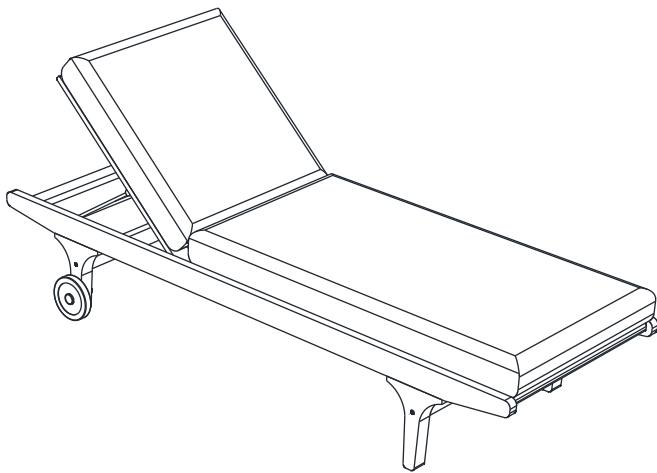



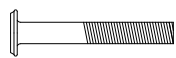

Thank you for purchasing the **MODWAY LOUNGER!**

Before you start, here are some helpful advice:

1. We suggest you spend a short time reading through this leaflet and then follow the simple step by step instructions.
2. Owing to the size and weight of the lounger, we recommend that it is assembled by two adults, on a carpeted or padded area, in the room that it is intended for. Approximate assembly time: 30 minutes.
3. Please do not use any tools other than those provided or recommended in these instructions.
4. Please do not throw away any of the packaging or instructions until you have checked all the components and hardware and the furniture is fully assembled.
5. Assemble all components loosely until advised to tighten. Depending on use, it may be necessary to tighten the components from time to time, so please save the tools that have been provided.
6. Please keep all pieces out of reach of small children.

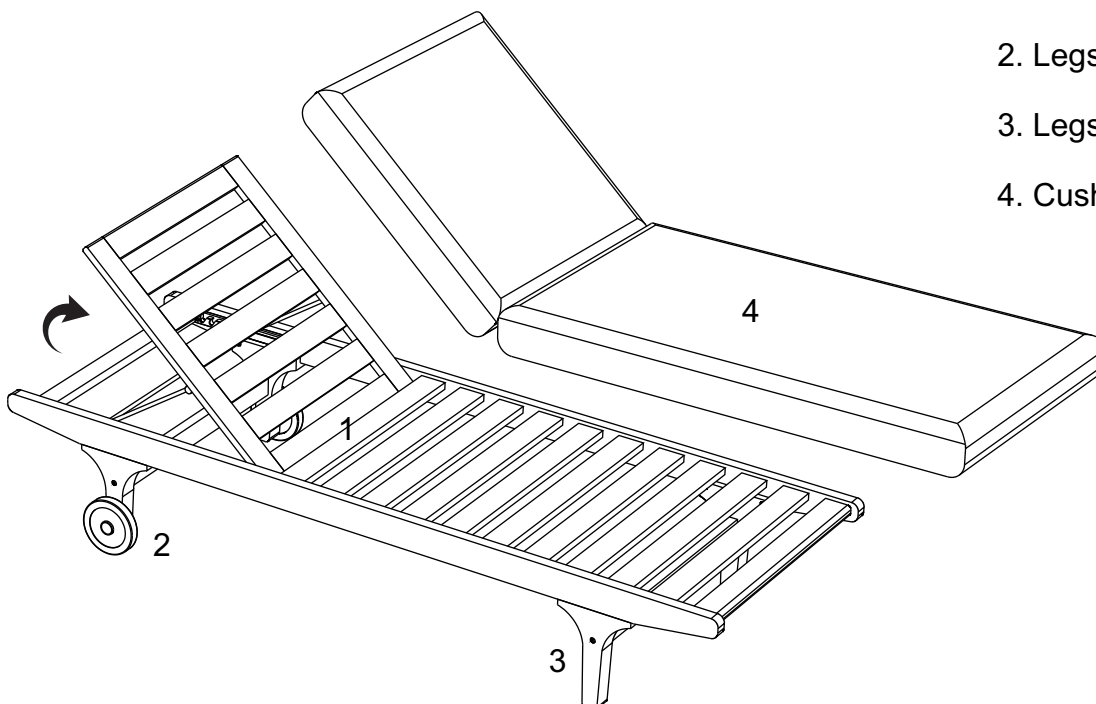


### Hardware:

A		Bolt M8x50mm	x 4
B		Bolt M8x40mm	x 16
C		Allen Wrench M5	x 1

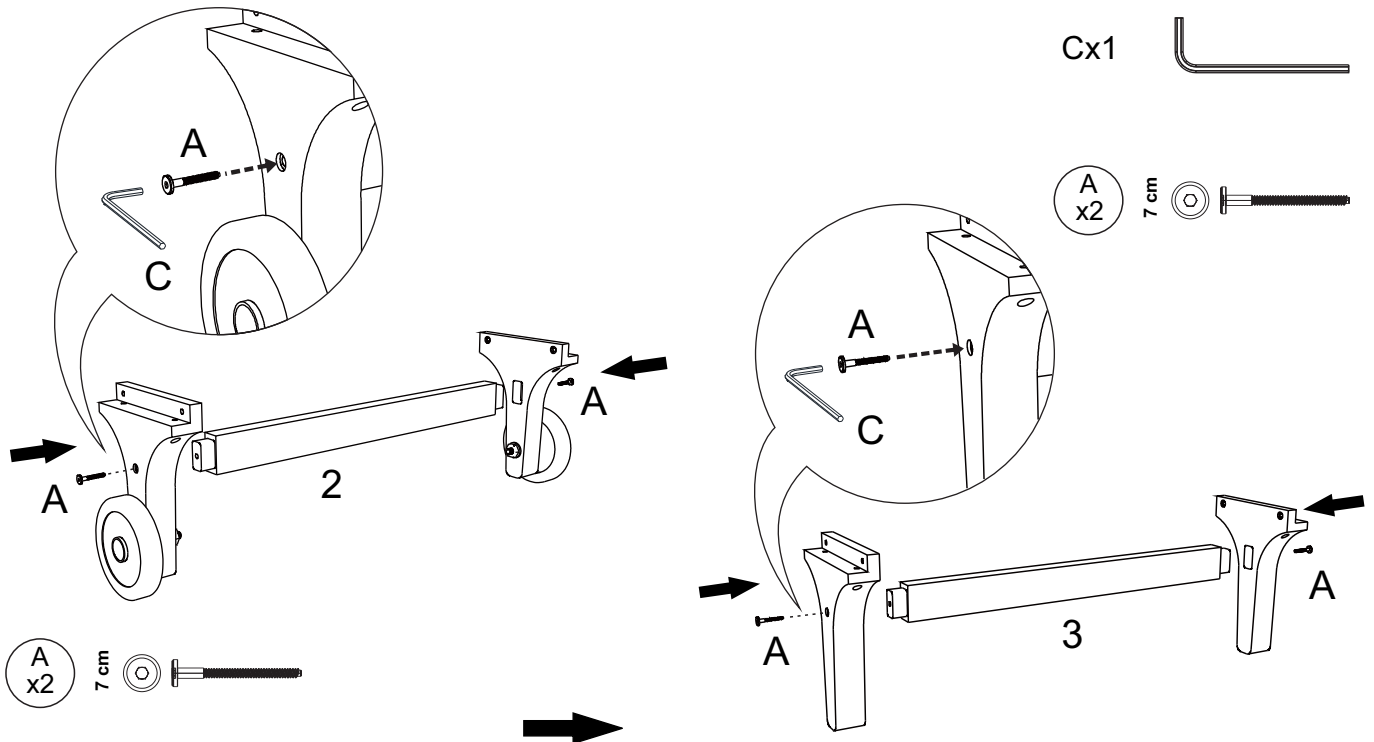
### Component:

1. Lounger Frame	x1
2. Legs Wheels	x1
3. Legs	x1
4. Cushion	x1



## STEP 1:

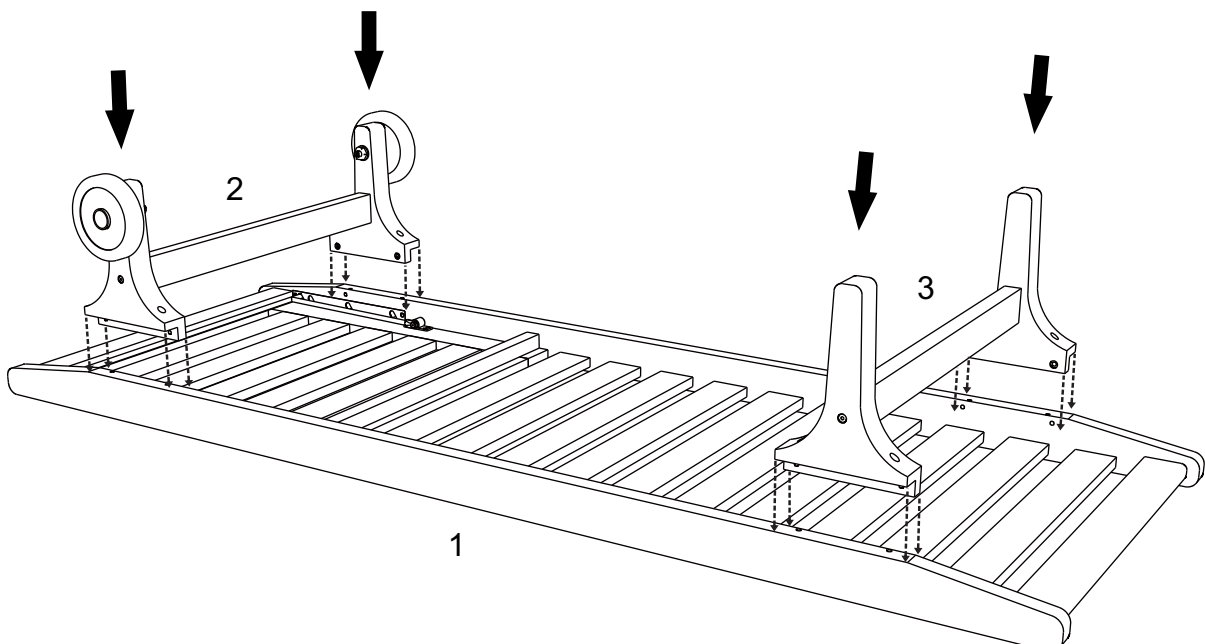
Please assemble **Legs Wheels (2)** first and connect it with the Wooden support. Next connect **Legs (3)** into the Wooden support. Insert **Bolt (A)** to tighten the Legs each side (Left and Right), tighten using **Allen Wrench (C)**.



Hardware & Tool required

## STEP 2:

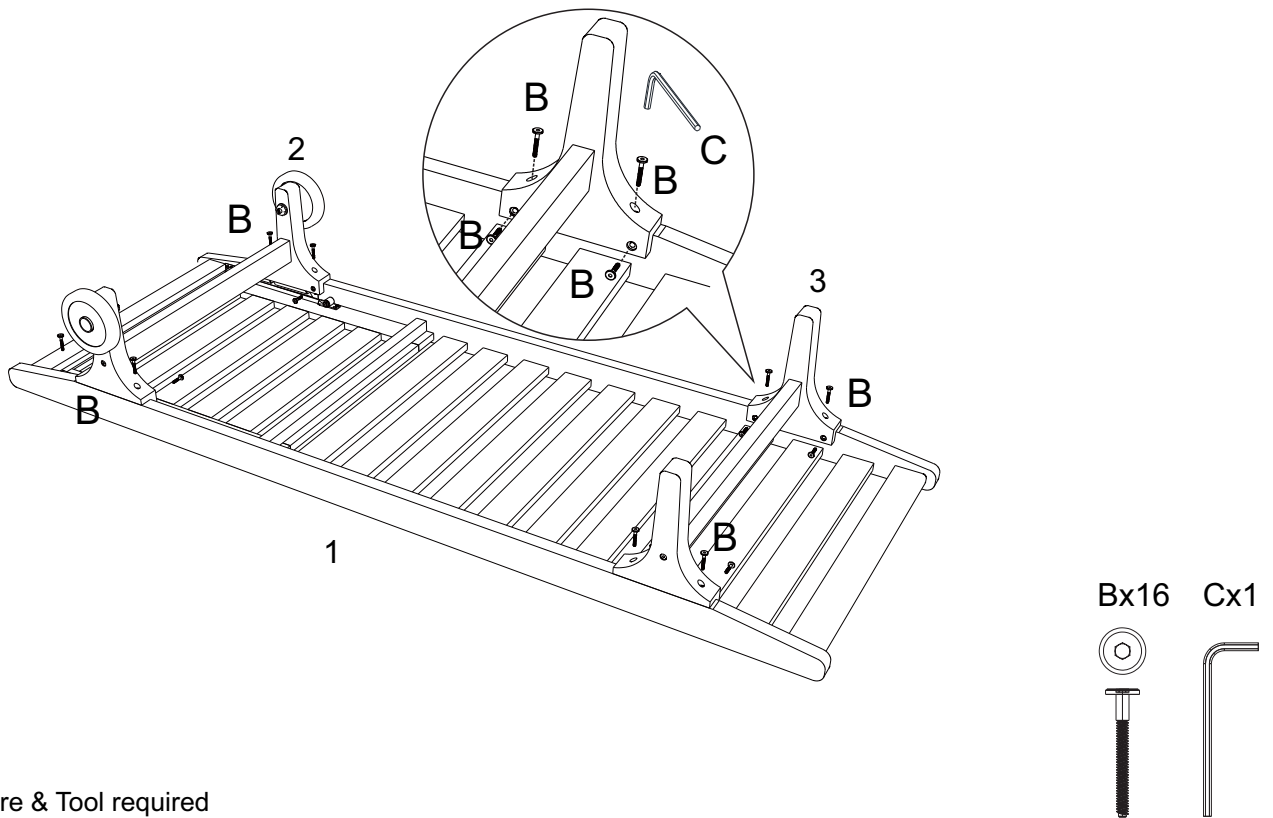
Carefully turn over the **Lounger Frame (1)** in a carpeted or padded area. Secure the assembled **Legs Wheels (2)** and **Legs (3)** to the **Lounger Frame (1)** with 8 pieces of **Bolts (A)** each Legs, tighten it with **Allen wrench (C)**.



Hardware & Tool required

## STEP 3:

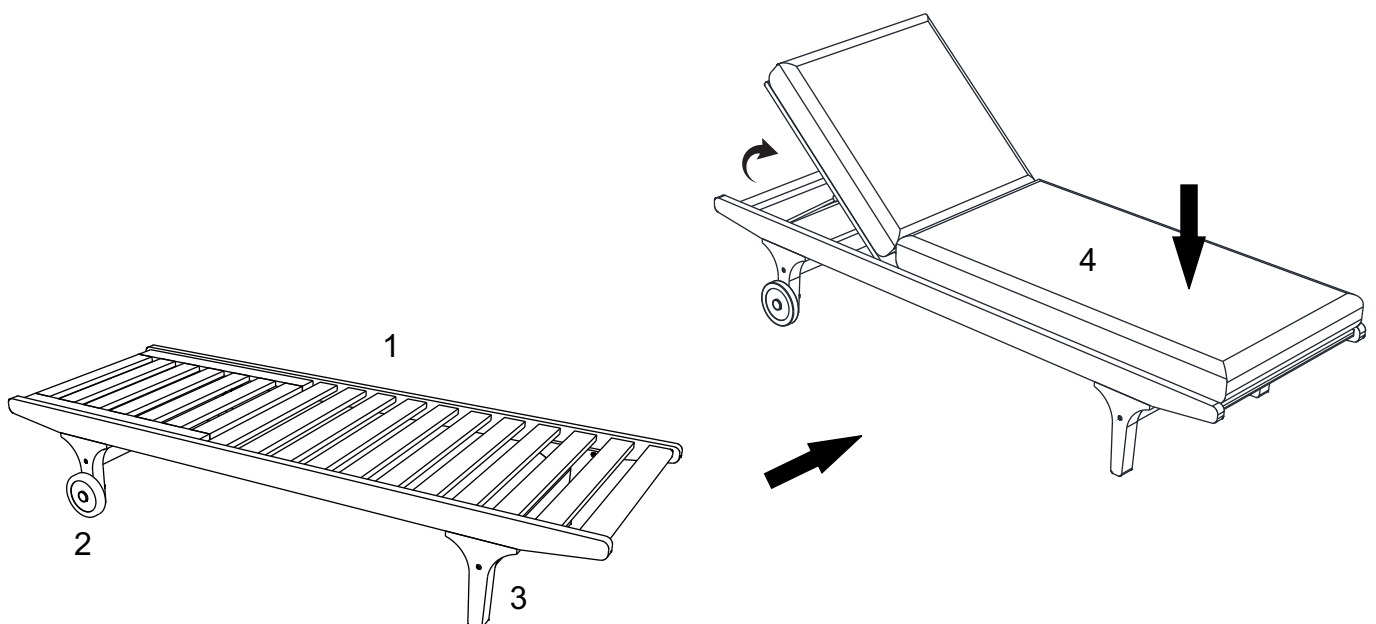
Insert assembled **Legs Wheels (2)** and directly insert the **Bolt (B)**, tighten with **Allen Wrench (C)**.  
 Insert assembled **Legs (3)** and directly insert the **Bolt (B)**, tighten with **Allen Wrench (C)**.



Hardware & Tool required

## STEP 4:

Carefully position the assembled chair to the desired location.  
 Put **Cushion (4)** into the assembled lounger as shown.



Assembly is complete. Your lounger is ready to be used now!