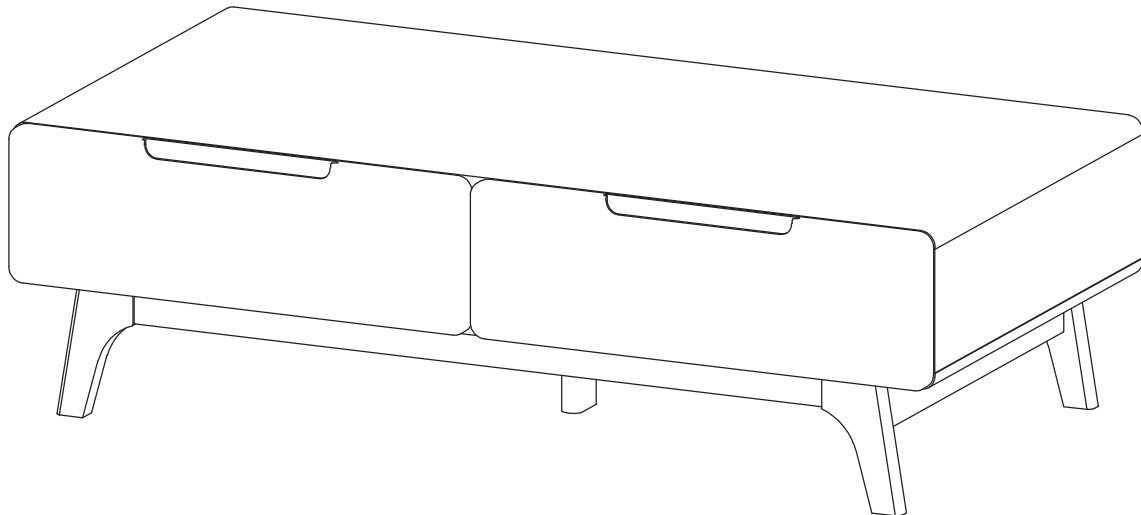


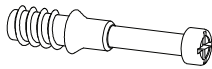


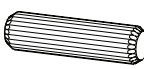

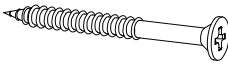
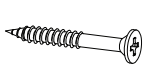
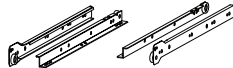


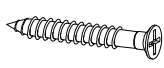
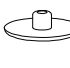
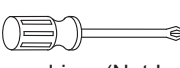
Thank you for purchasing the **MODWAY COFFEE TABLE** !

Before you start, here is some helpful advice:

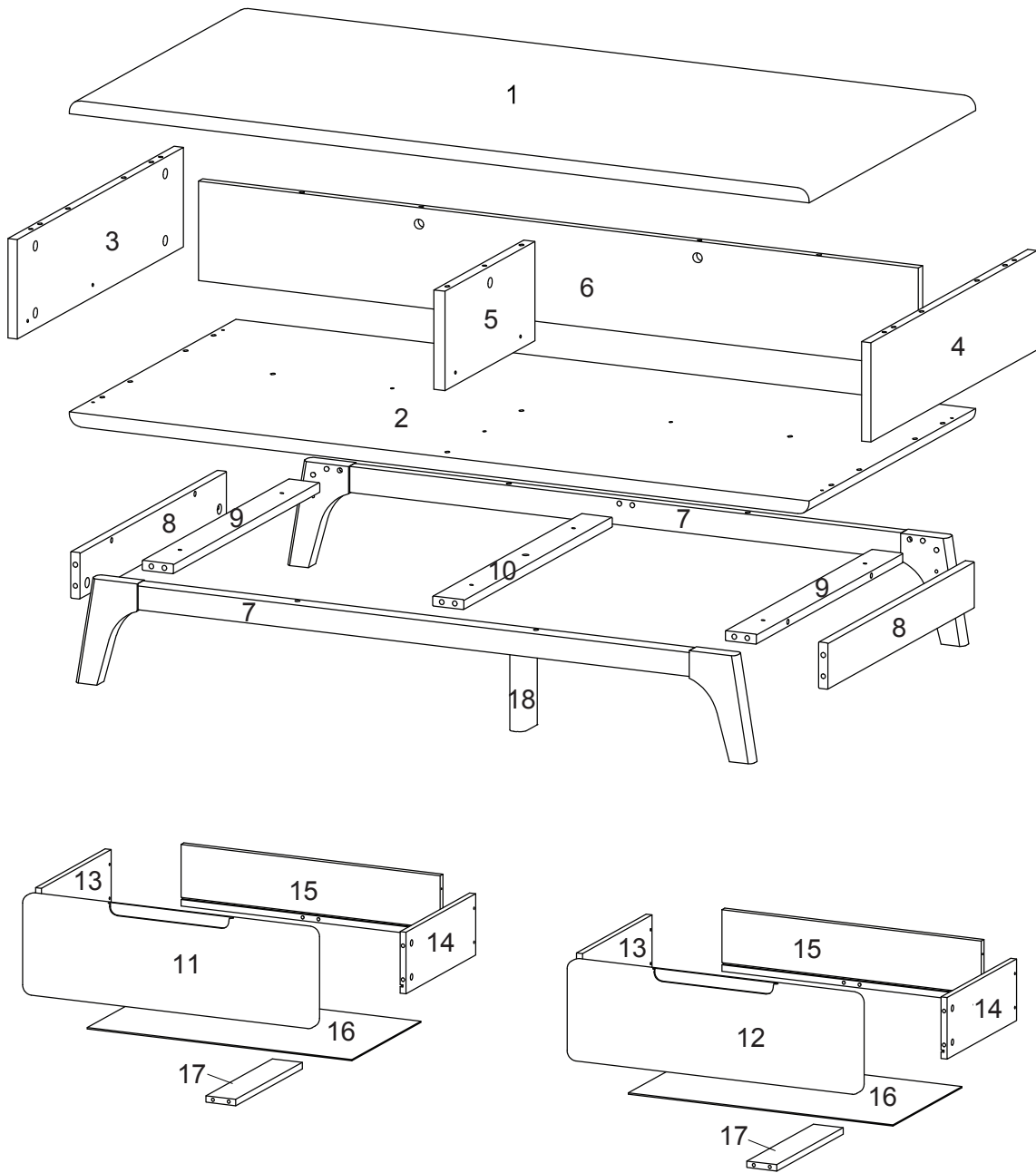
1. We suggest you spend a short time reading through this leaflet and then follow the simple step-by-step instructions.
2. Owing to the size and weight of the table, we recommend that it is assembled by two adults, on a carpeted or padded area, in the room that it is intended for. Approximate assembly time: 60 minutes.
3. Please do not use any tools other than those provided or recommended in these instructions.
4. Please do not throw away any of the packaging or instructions until you have checked all the components and hardware and the furniture is fully assembled.
5. Assemble all components loosely until advised to tighten. Depending on use, it may be necessary to tighten the components from time to time, so please save the tools that have been provided.
6. Please keep all pieces out of reach of children.



Hardware :

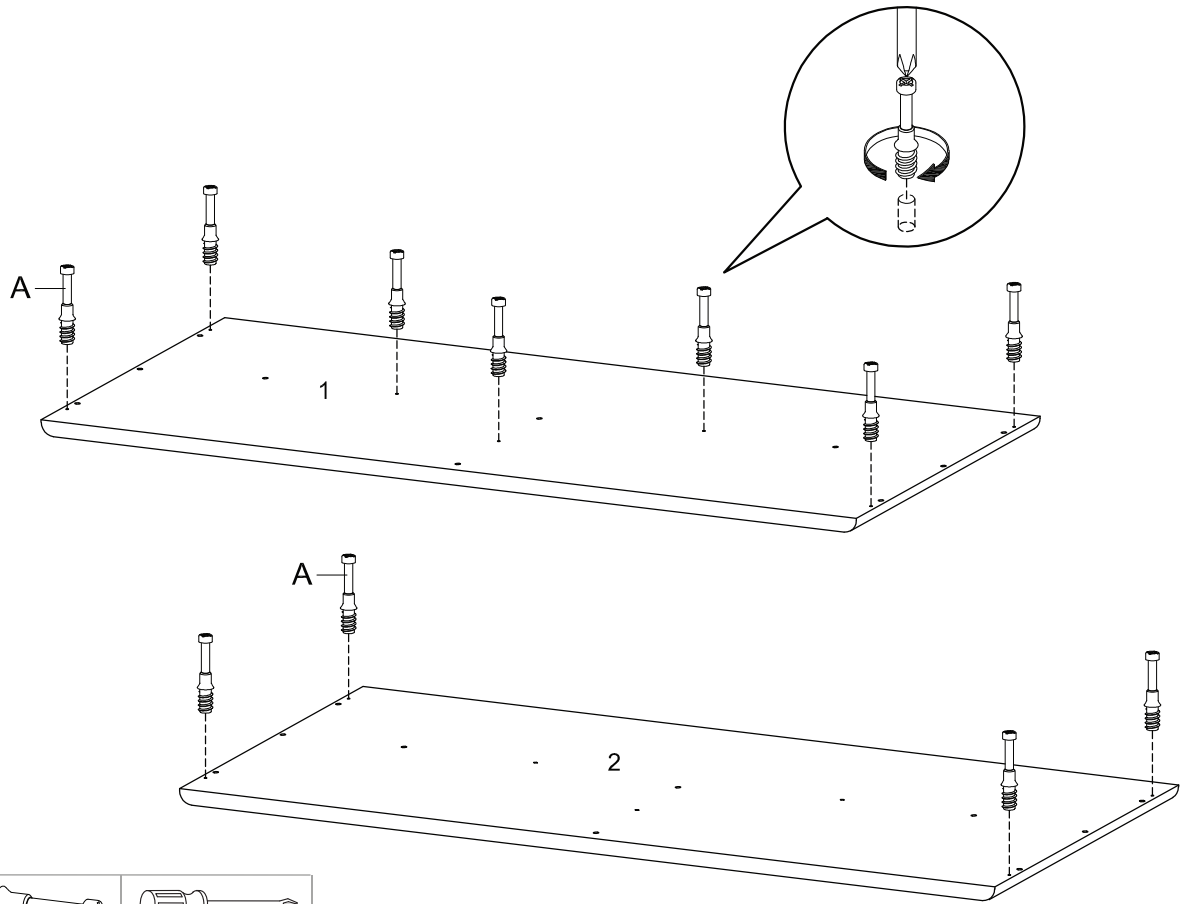
A) Cambolt/Metal  \varnothing 6 x 35 mm x 23	B) CamLock/Metal  \varnothing 15 mm x 15	C) CamLock/Metal  \varnothing 12 mm x 8	D) Dowel/Wood  \varnothing 8 x 30 mm x 45	E) Dowel/Wood  \varnothing 6 x 30 mm x 8
F) Screw/Metal  M 12 x 45 mm x 4	G) Screw/Metal  M 12 x 35 mm x 6	H) Rell/Metal  300 mm x 2	I) Screw/Metal  M 6.5 x 10.5 mm x 8	J) Screw/Metal  M 3.5 x 13 mm x 12
K) Screw/Metal  M 8 x 39 mm x 8	L) Screw Cup/Plastic  \varnothing 15 mm x 4	M)  Screwdriver (Not Include) x 1		

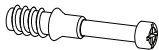
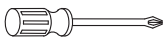
Components:



1	Top Board	x1	2	Bottom Board	x1	3	Side Board Left	x1	4	Side Board Right	x1
5	Centre Board 1	x1	6	Center Board 2	x1	7	Assembly Leg	x2	8	Support Board	x2
9	Support Board 2	x2	10	Support Board 3	x1	11	Front Drawer Left	x1	12	Front Drawer Right	x1
13	Side Drawer Left	x2	14	Side Drawer Right	x2	15	Back Drawer	x2	16	Bottom Drawer	x2
17	Support Drawer	x2	18	Leg	x1						

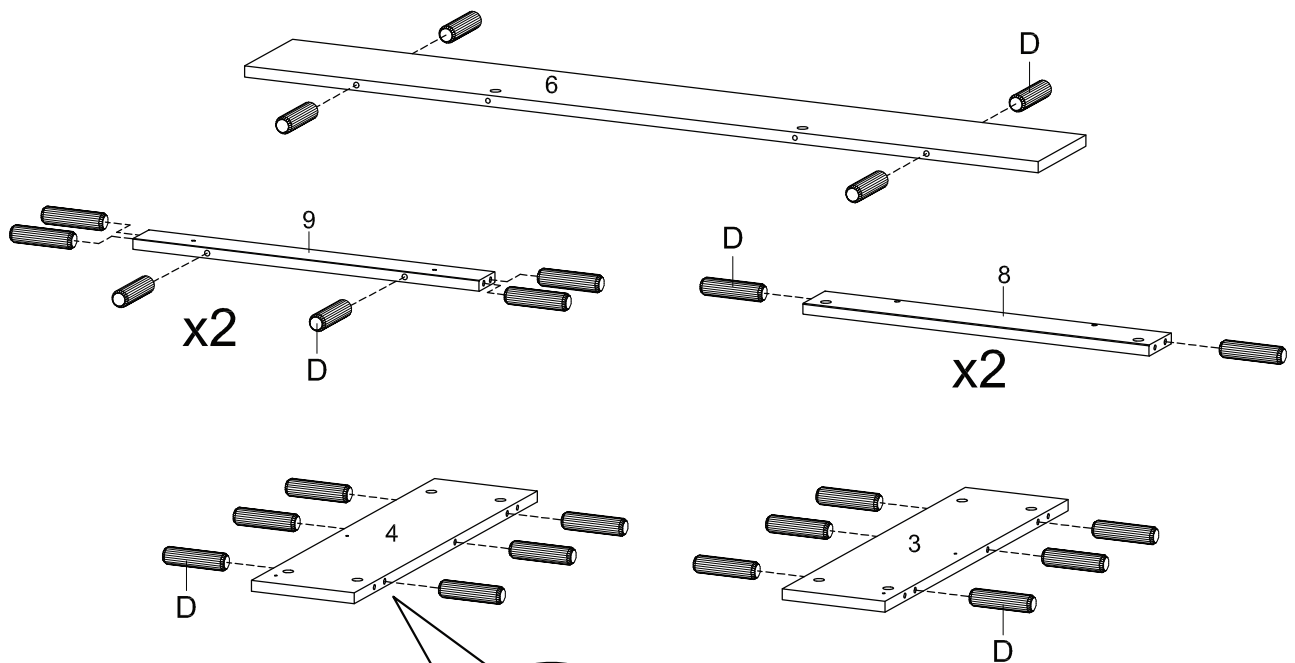
STEP 1:




	
Ax11	Mx1

Hardware required. Screwdriver not included

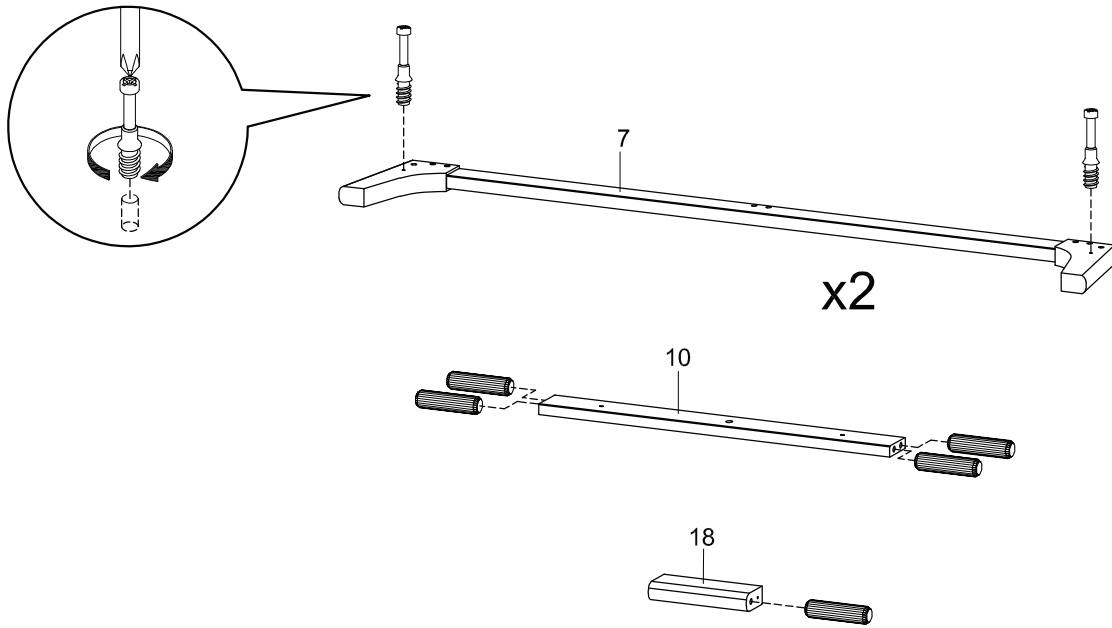
STEP 2:







Dx32

Hardware required.

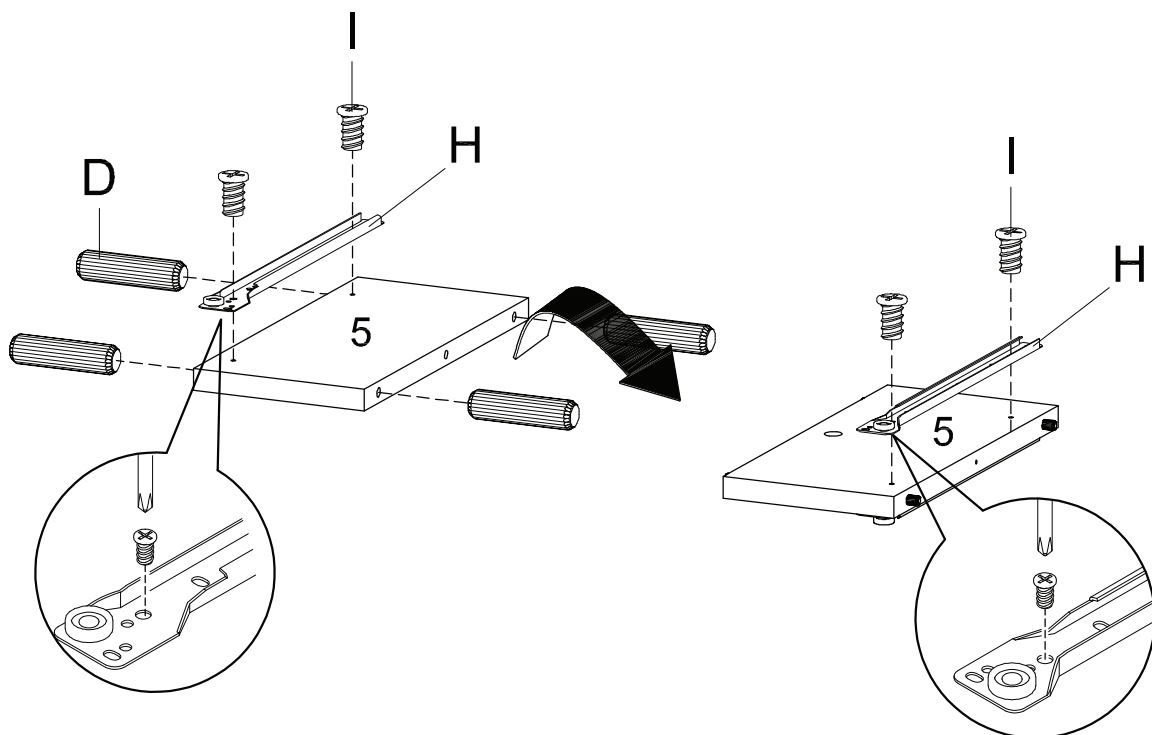
STEP 3:







		
Ax4	Dx5	Mx1

Hardware required. Screwdriver not include

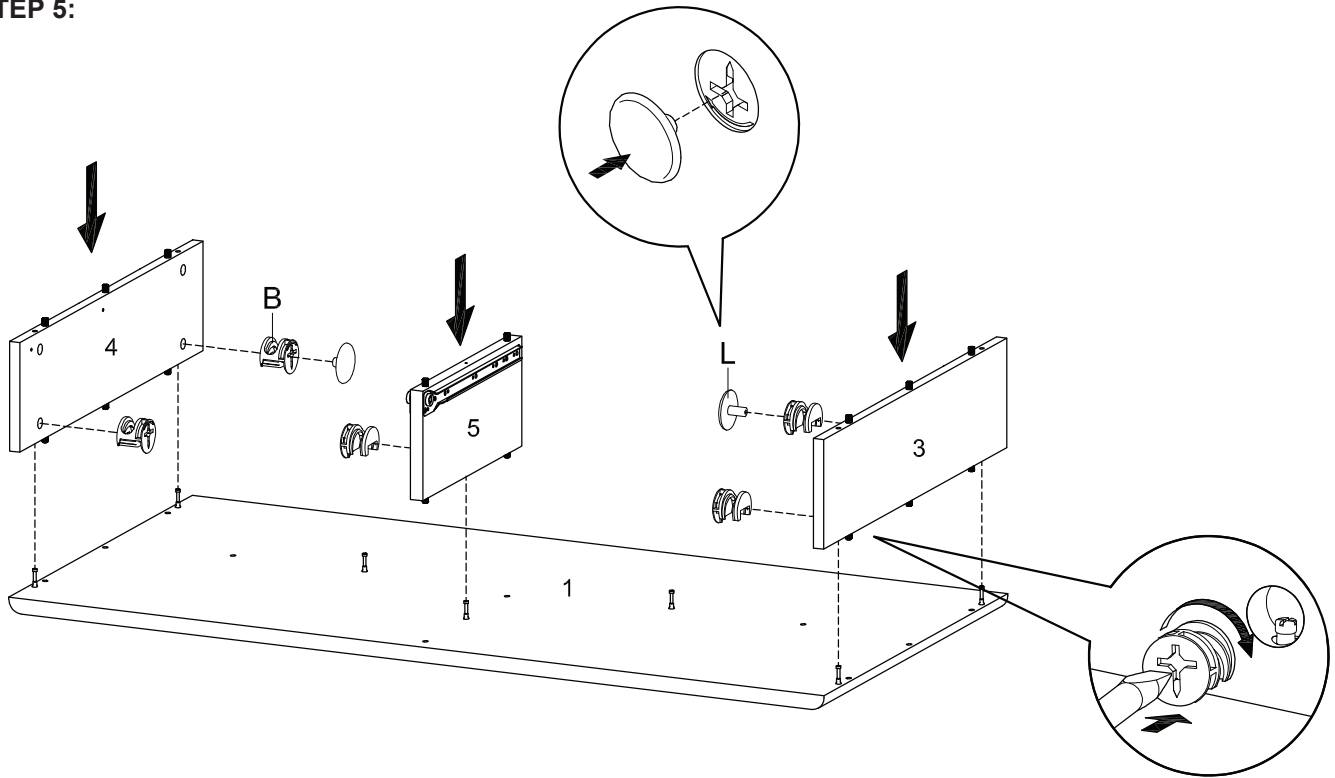
STEP 4:



			
Dx4	Hx1	Ix4	Mx1

Hardware required.
Screwdriver not included

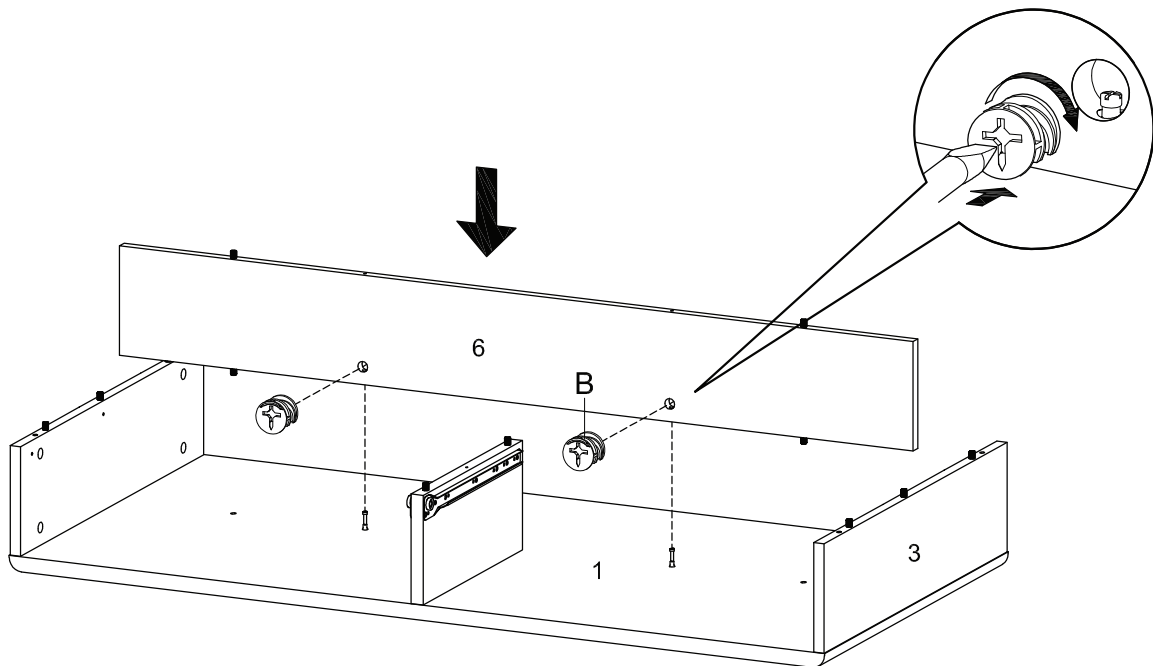
STEP 5:



Bx5	Lx2	Mx1

Hardware required. Screwdriver not include

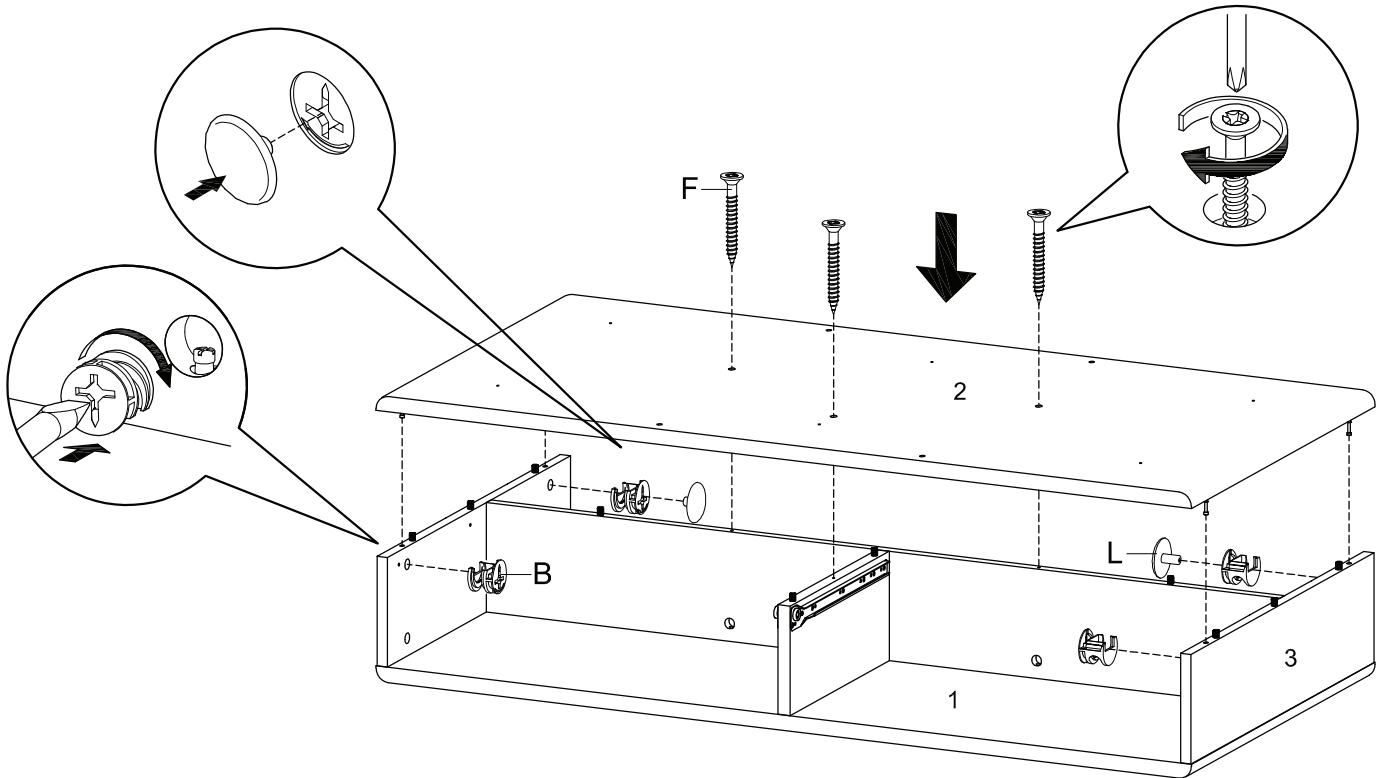
STEP 6:



Bx2	Mx1

Hardware required. Screwdriver not included

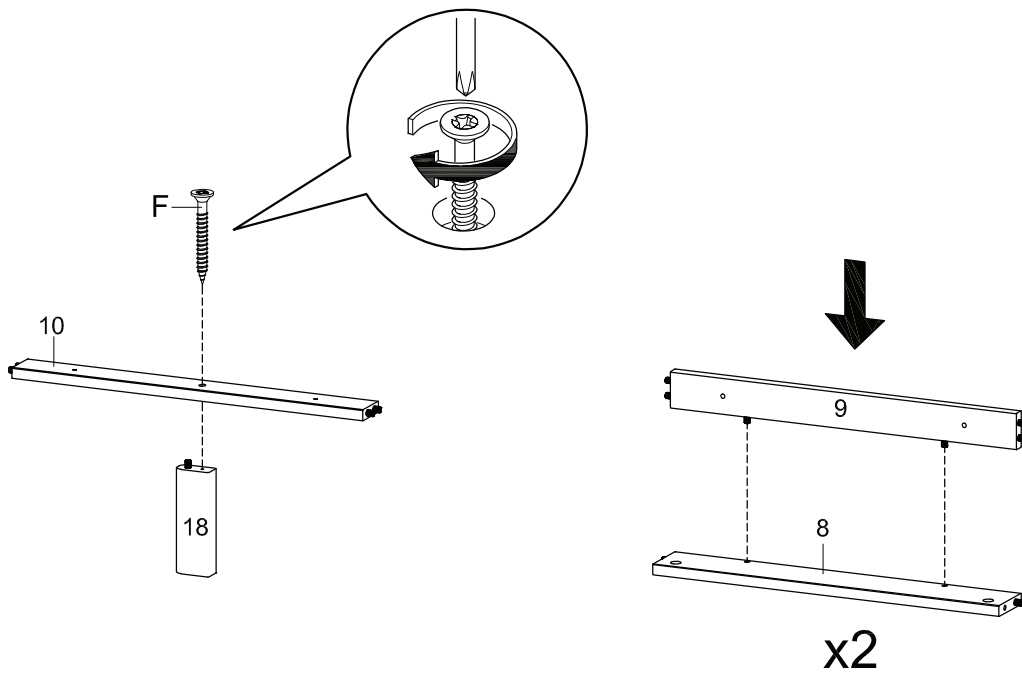
STEP 7:



Bx4	Fx3	Lx2	Mx1

Hardware required.
Screwdriver not included

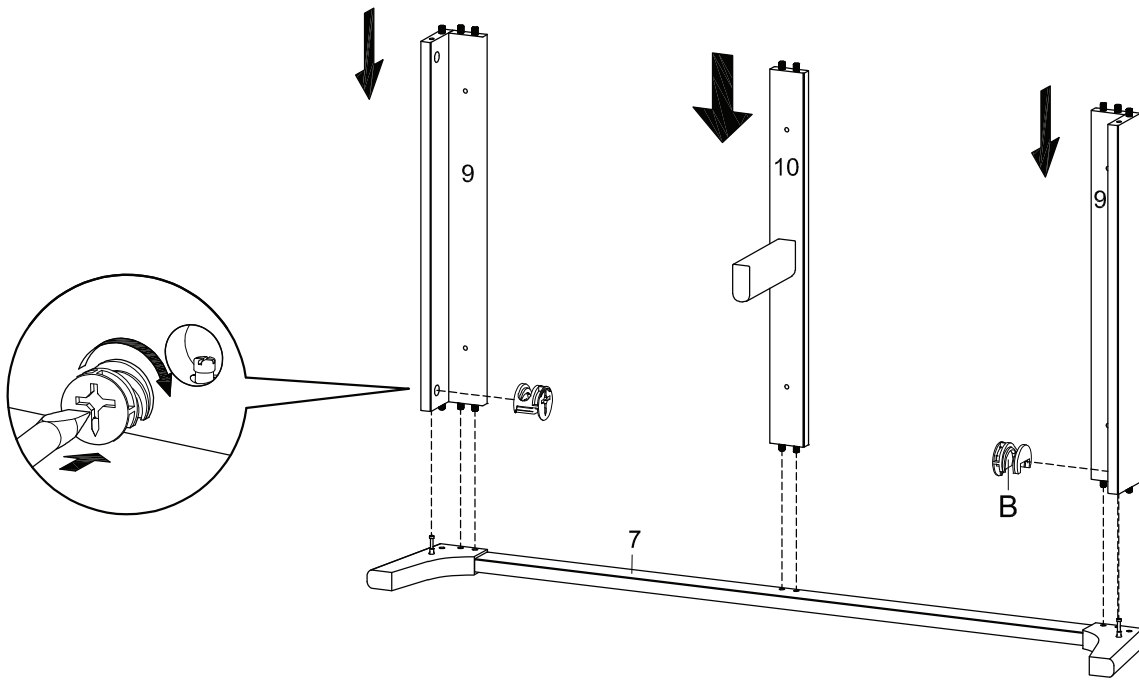
STEP 8:


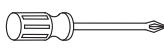


Fx1	Mx1

Hardware required. Screwdriver not included

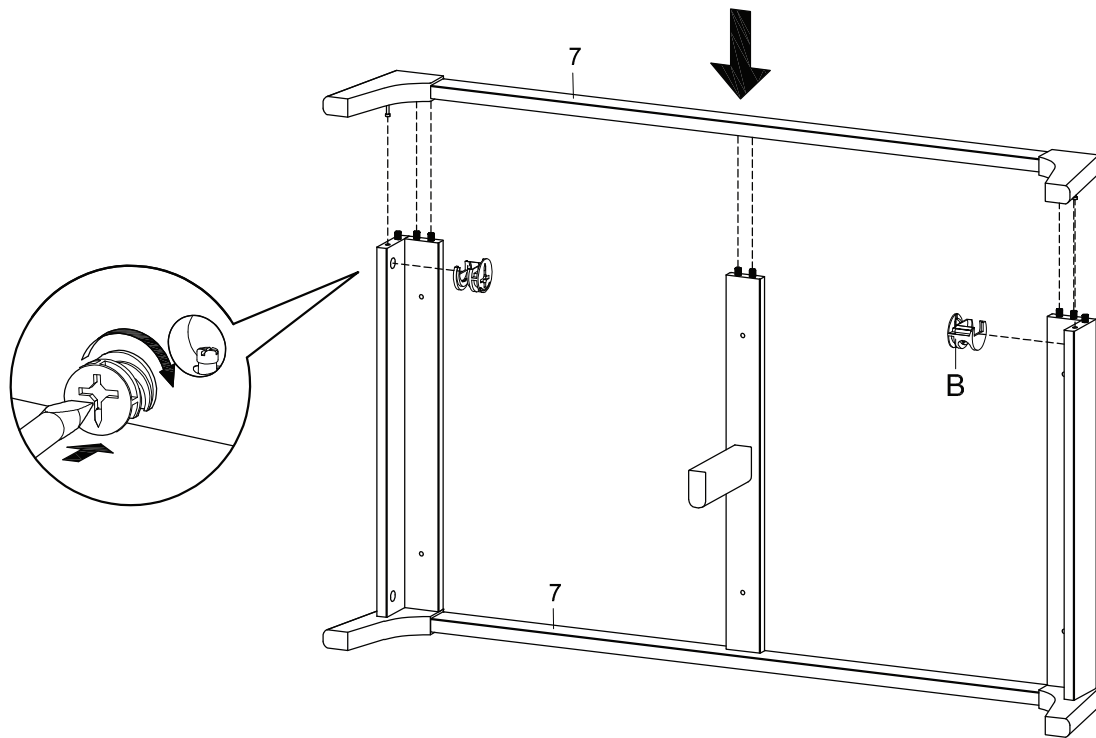
STEP 9:





	
Bx2	Mx1

Hardware required. Screwdriver not included

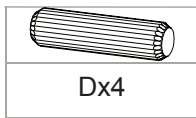
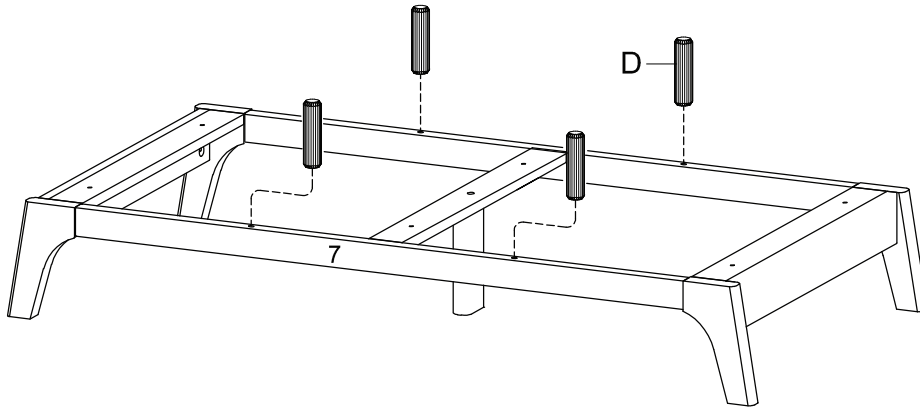
STEP 10:



	
Bx2	Mx1

Hardware required. Screwdriver not included

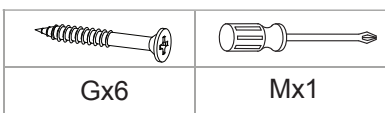
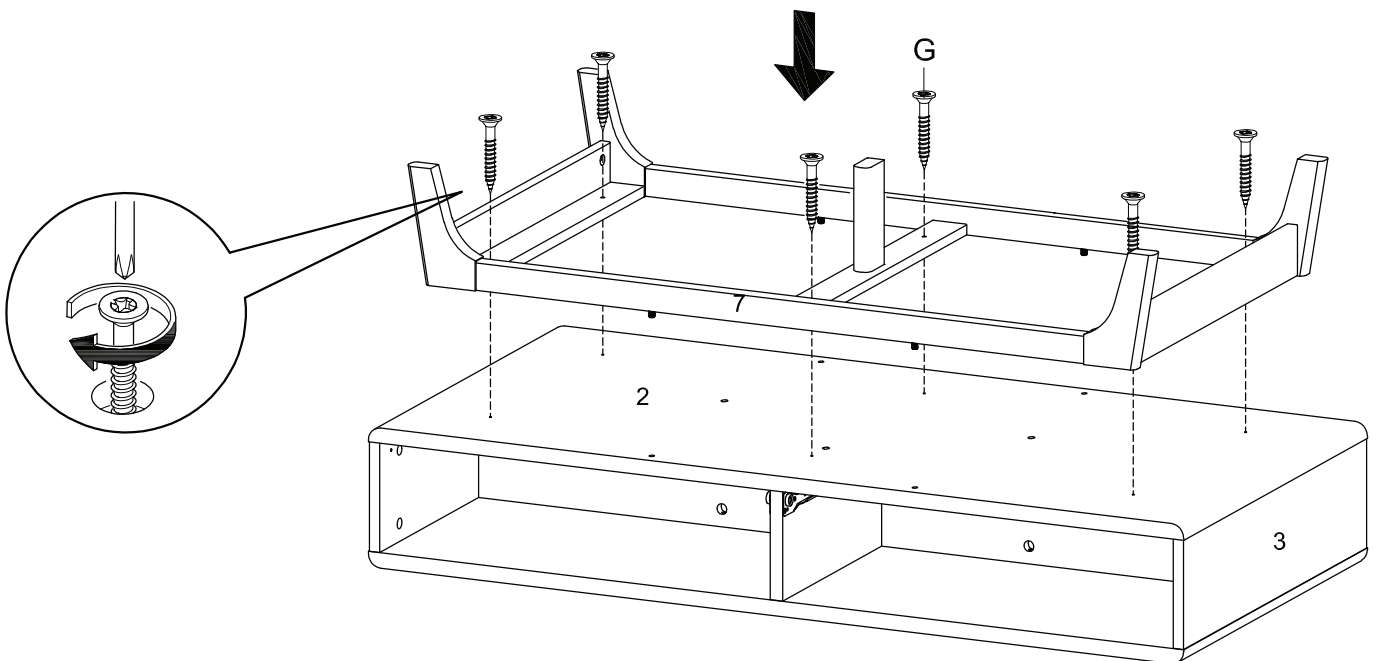
STEP 11:



Dx4

Hardware required.

STEP 12:

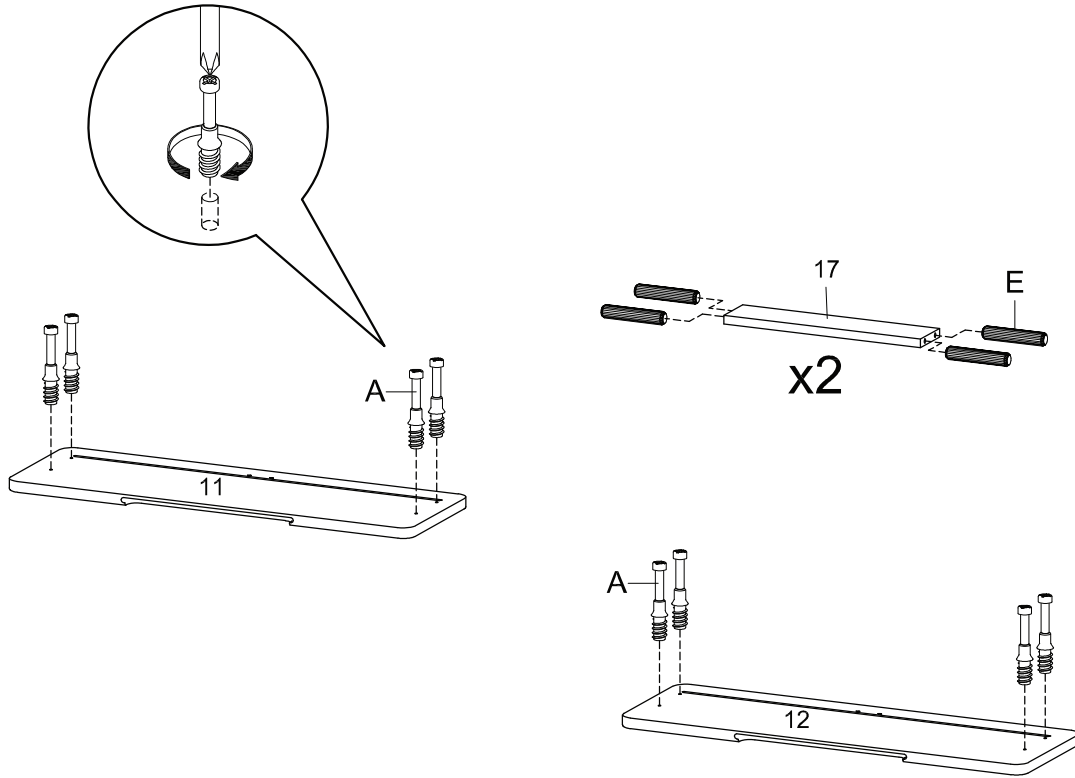




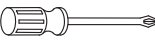
Gx6

Mx1

Hardware required. Screwdriver not included

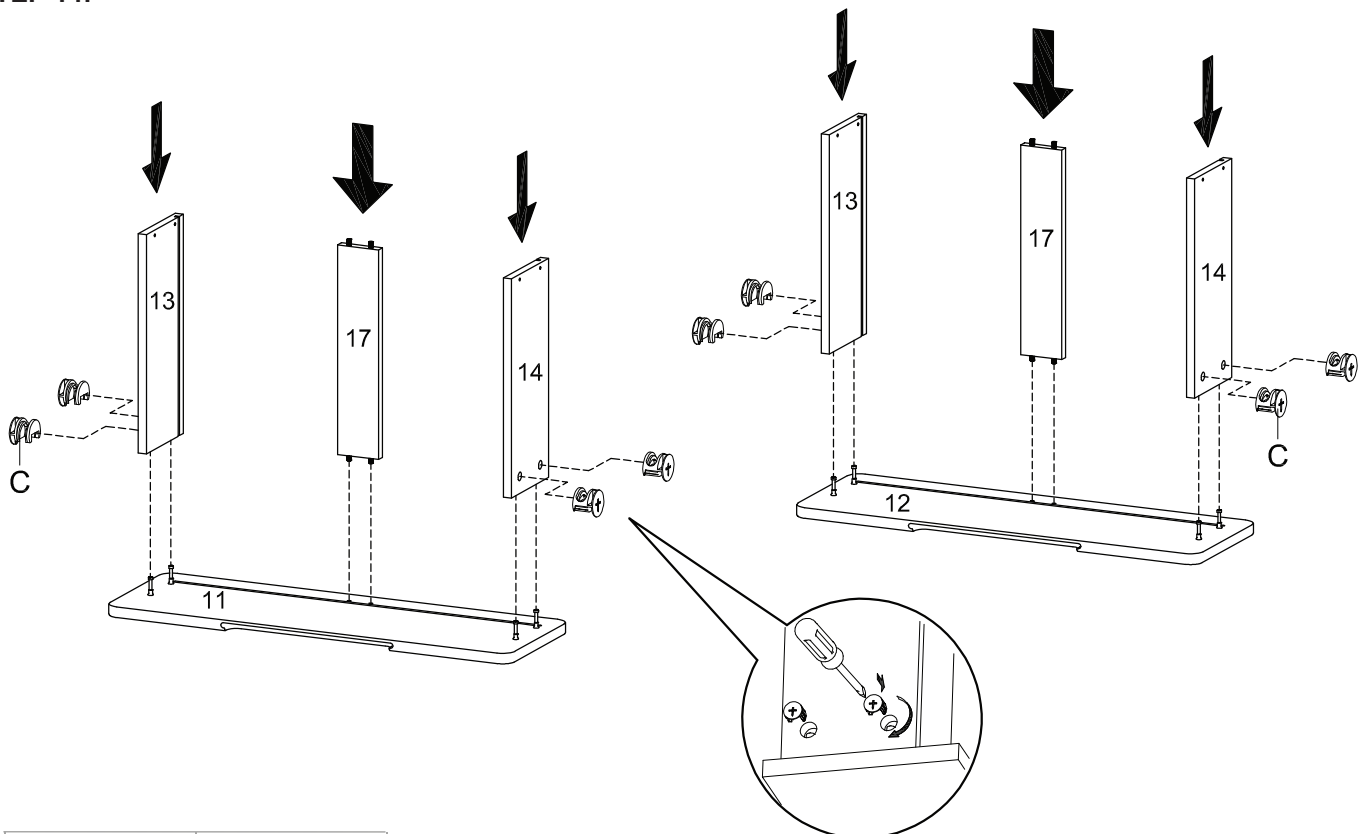
STEP 13:


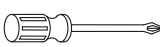


		
Ax8	Ex8	Mx1

Hardware required. Screwdriver not include

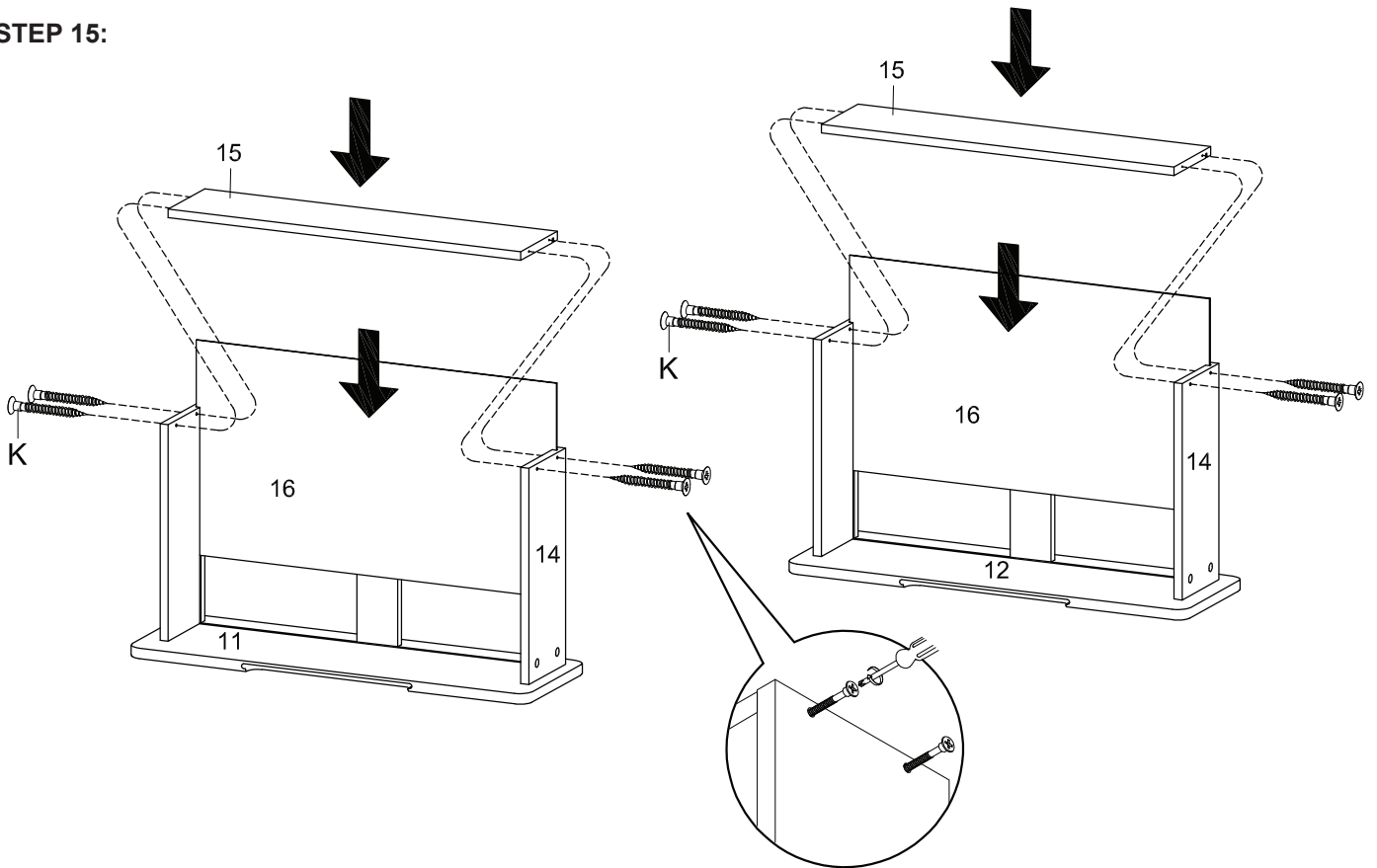
STEP 14:

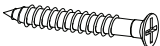



	
Cx8	Mx1

Hardware required. Screwdriver not included

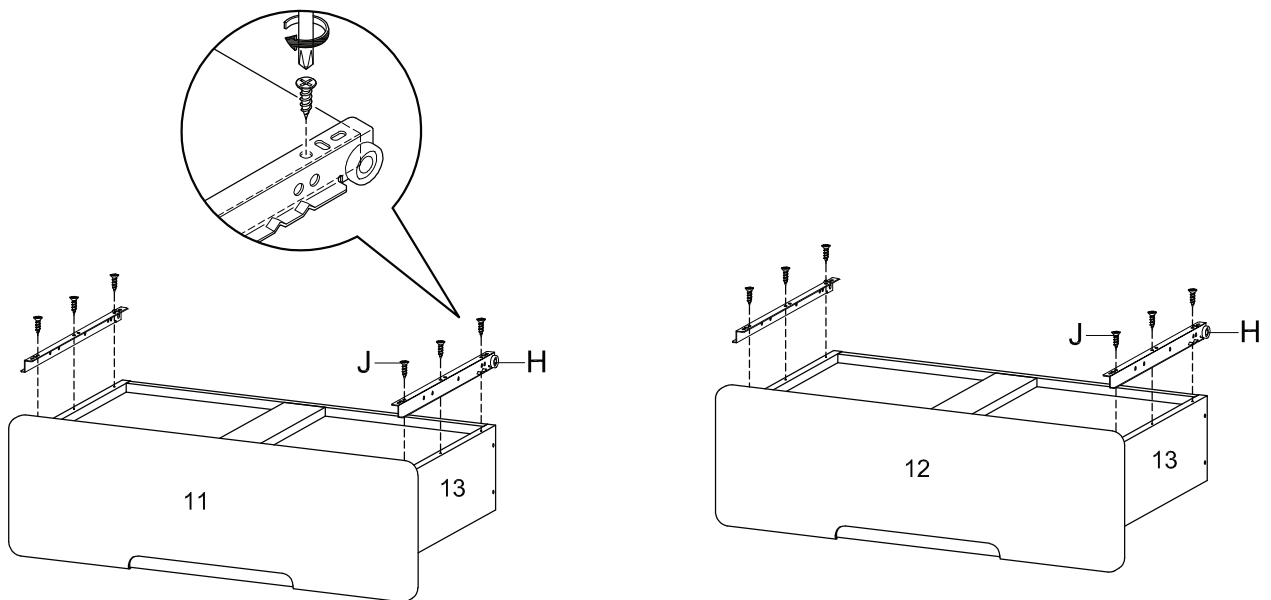
STEP 15:

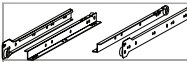

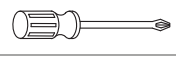


	
Kx8	Mx1

Hardware required. Screwdriver not included

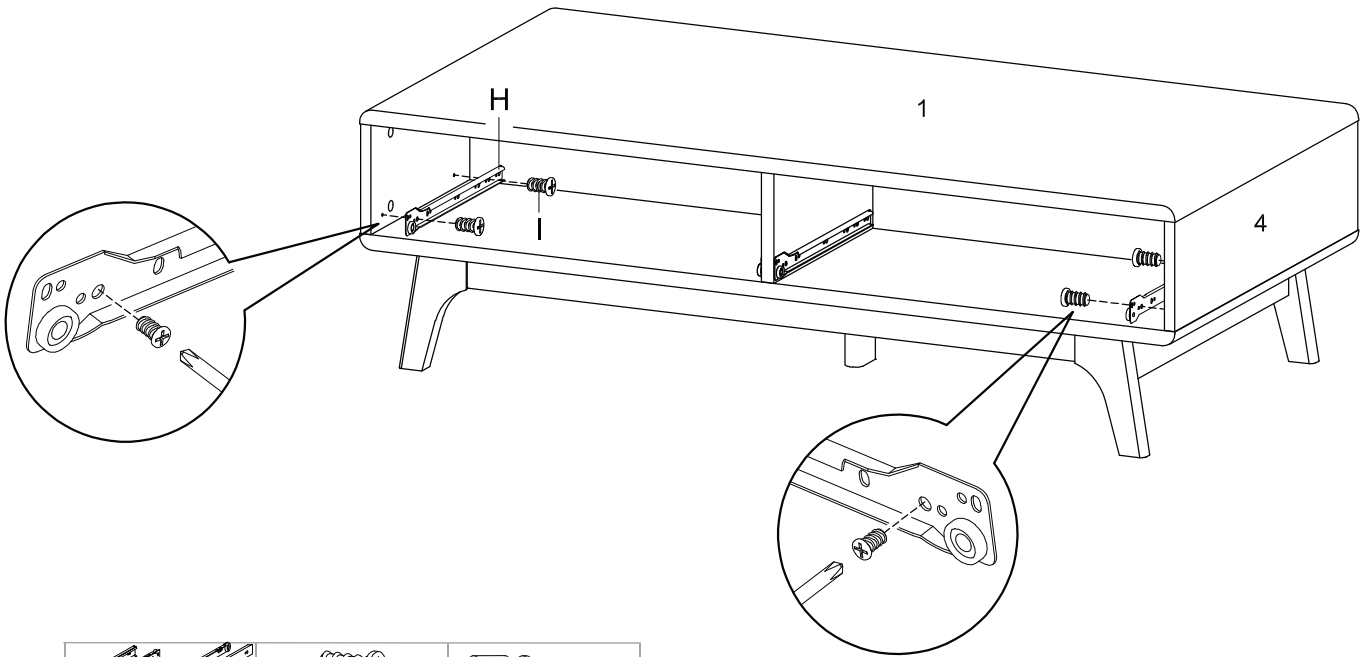
STEP 16:

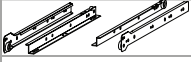
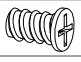
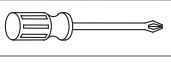


		
Hx2	Jx12	Mx1

Hardware required. Screwdriver not include

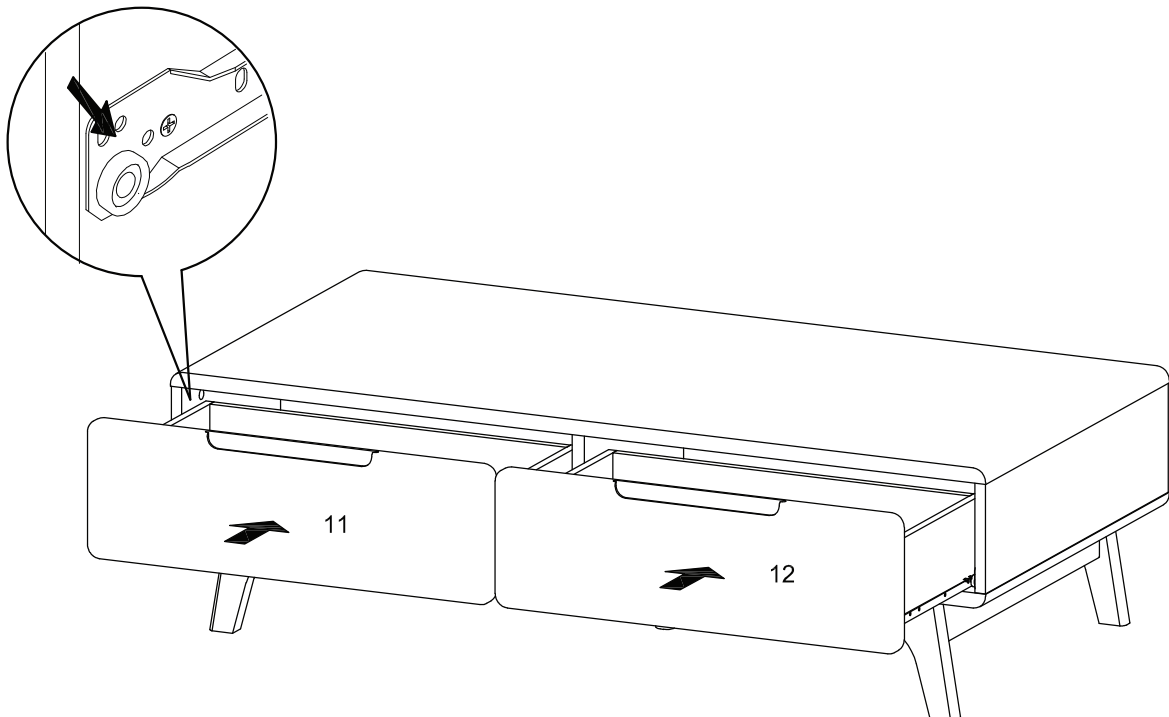
STEP 17:



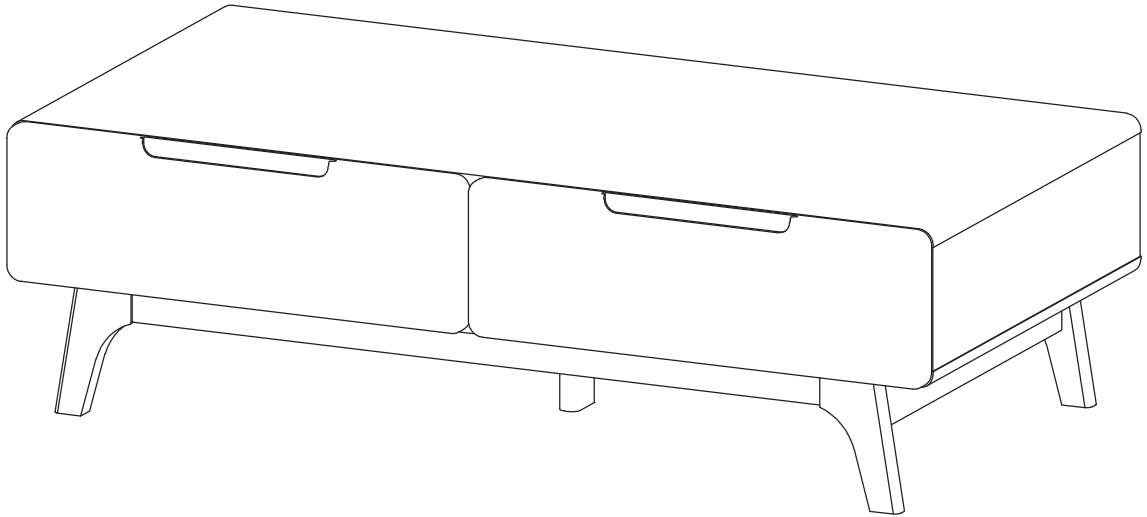
		
Hx1	lx4	Mx1

Hardware required. Screwdriver not include

STEP 18:



STEP 19:



Assembly is completed. The Coffee Table is ready to enjoy now !