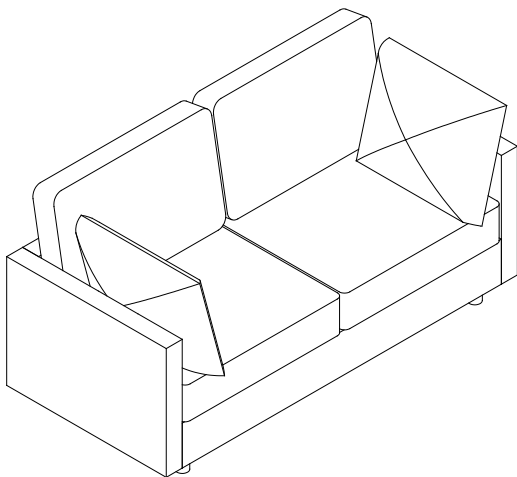


EEI-3044 Sofa

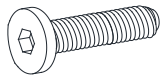
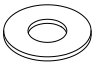

Thank you for purchasing the MODWAY SOFA.

Before you start, here are some helpful advice:

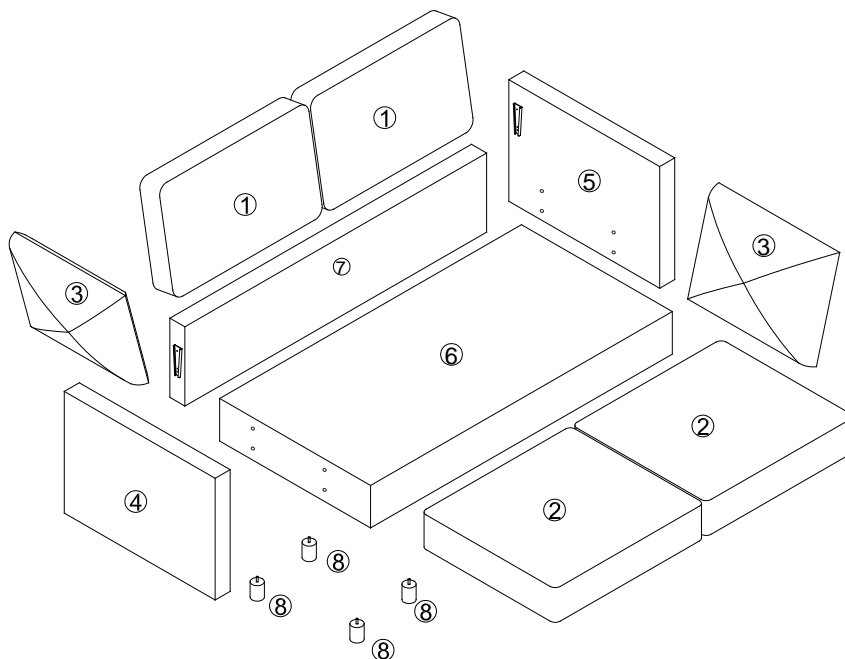
1. We suggest you spend a short time reading through this leaflet and then follow the simple step-by-step instructions.
2. Owing to the size and weight of the sofa, we recommend that it is assembled by two adults, on a carpeted or padded area, in the room that it is intended for. Approximate assembly time: 25 minutes.
3. Please do not use any tools other than those provided or recommended in these instructions.
4. Please do not throw away any of the packaging or the instruction until you have checked all the components and hardware and the furniture is fully assembled. Please ensure that the packaging is disposed of in a safe and environmentally friendly way.
5. Assemble all components loosely until advised to tighten. Depending on use, it may be necessary to tighten the components from time to time, so please save the tools that have been provided.
6. Please keep all fitting out of reach of children.



Hardware:

- | | | | |
|----|--|----------------|------|
| A. |  | Bolt M8x60mm | x 11 |
| B. |  | Flat Washer M8 | x 11 |
| C. |  | Allen Wrench | x1 |

Component:



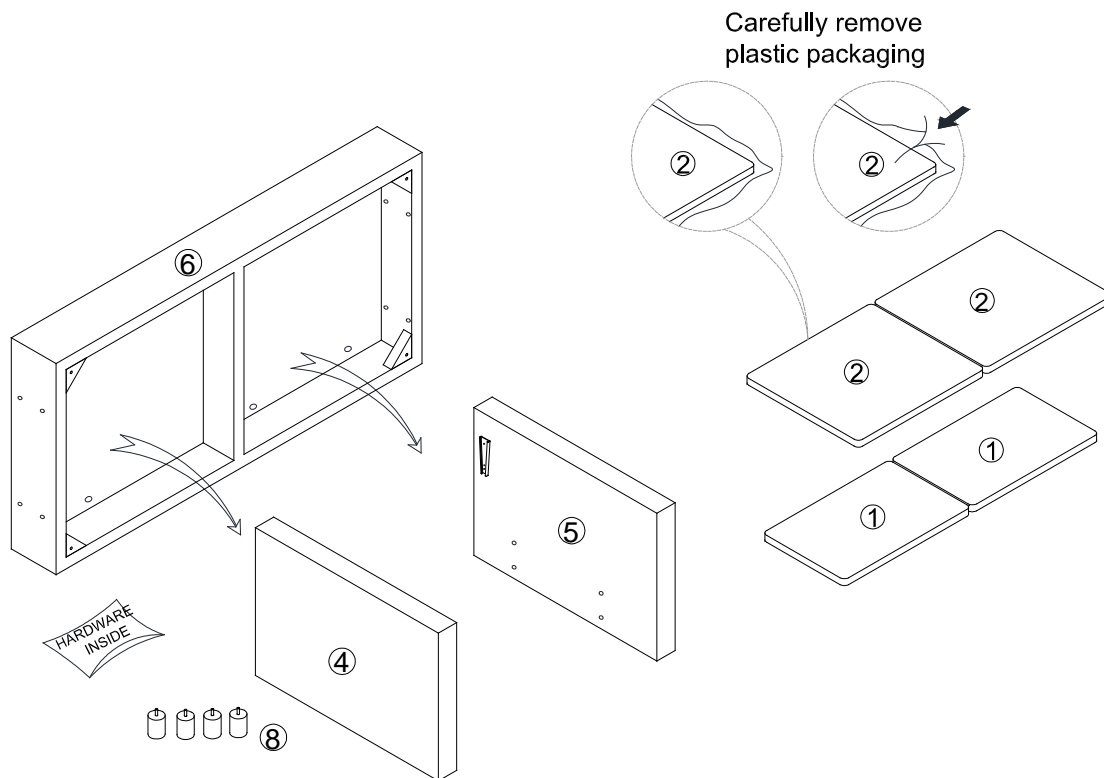
- | | | | |
|-------------------|-------------------|-----------------|---------------|
| 1 Back Cushion x2 | 2 Seat Cushion x2 | 3 Pillow x2 | 4 Left Arm x1 |
| 5 Right Arm x1 | 6 Seat Frame x1 | 7 Back Frame x1 | 8 Leg x4 |

STEP 1:

Please take the **Left Arm (4)**, **Right Arm (5)**, **Leg (8)** and hardware bag from the bottom of **Seat Frame (6)**. Then carefully remove plastic packaging of the compressed **Seat Cushions (2)** and **Back Cushions (1)**. Being carefully not to cut through to them.

Place compressed **Seat Cushions (7)** and **Back Cushions (1)** on a flat surface in a well ventilated room and allow 48 hours for expansion.

Due to the unique properties of the compressed **Seat Cushions (7)** and **Back Cushions (1)**, dimensions after expansion will vary slightly; this is normal and will not affect the performance of your sofa.

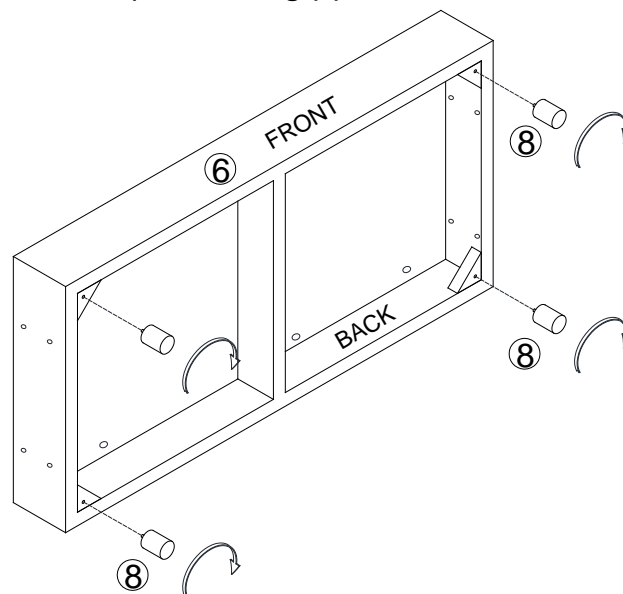


STEP 2:

Please put **Sofa Frame (6)** on a carpeted or padded surface.

Insert **Leg (8)** to the bottom of **Frame (6)** and tight by hand in the direction of the arrow as shown.

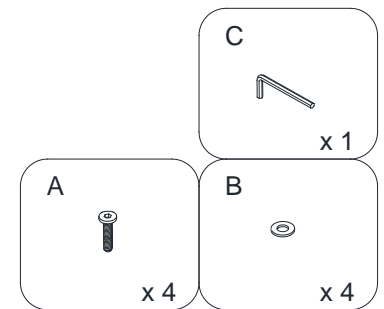
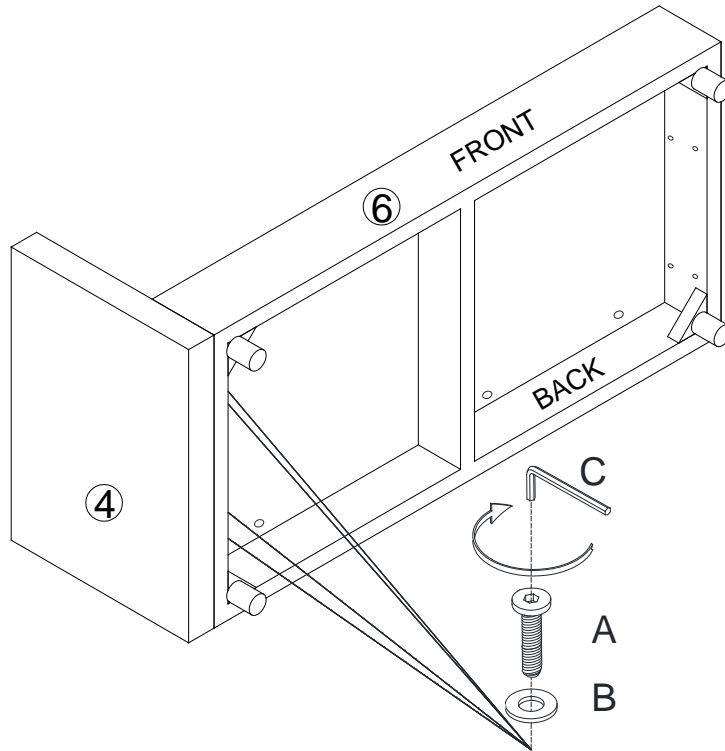
Repeat the same steps for the other 3 pieces of **Leg (8)**.



STEP 3:

Attach **Left Arm (4)** to the side of **Seat Frame (6)** by using 4 pieces of **Bolts (A)** with 4 pieces of **Flat Washers (B)** as shown.

Tighten **Bolts (A)** by using **Allen Wrench (C)** as shown. Don't tighten fully.

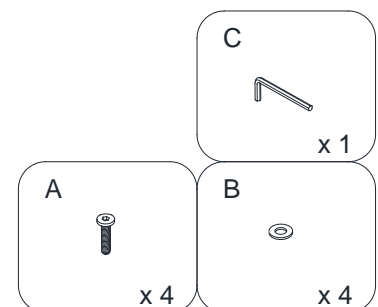
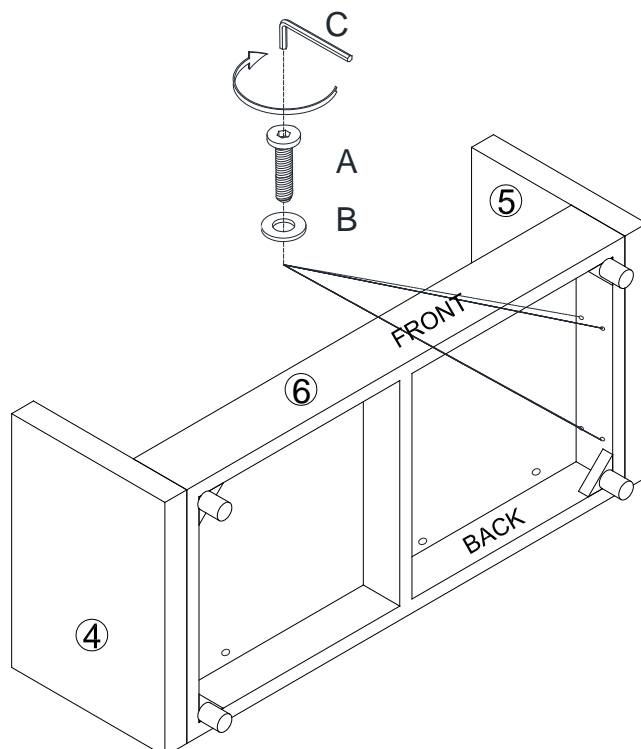


Hardware & Tools required

STEP 4:

Attach **Right Arm (5)** to the side of **Seat Frame (6)** by using 4 pieces of **Bolts (A)** with 4 pieces of **Flat Washers (B)** as shown.

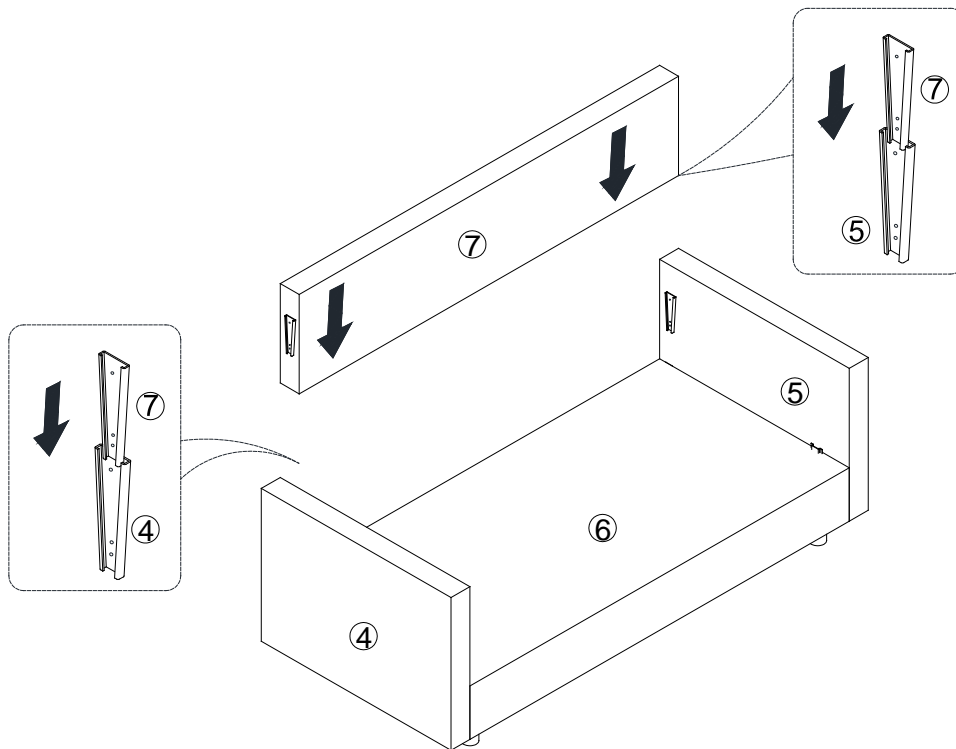
Tighten **Bolts (A)** by using **Allen Wrench (C)** as shown. Don't tighten fully.



Hardware & Tools required

STEP 5:

Slide the two clips of **Back Frame (7)** to the clips of the side of the **Left Arm (4)**, **Right Arm (5)** by hand in the direction of the arrow as shown.

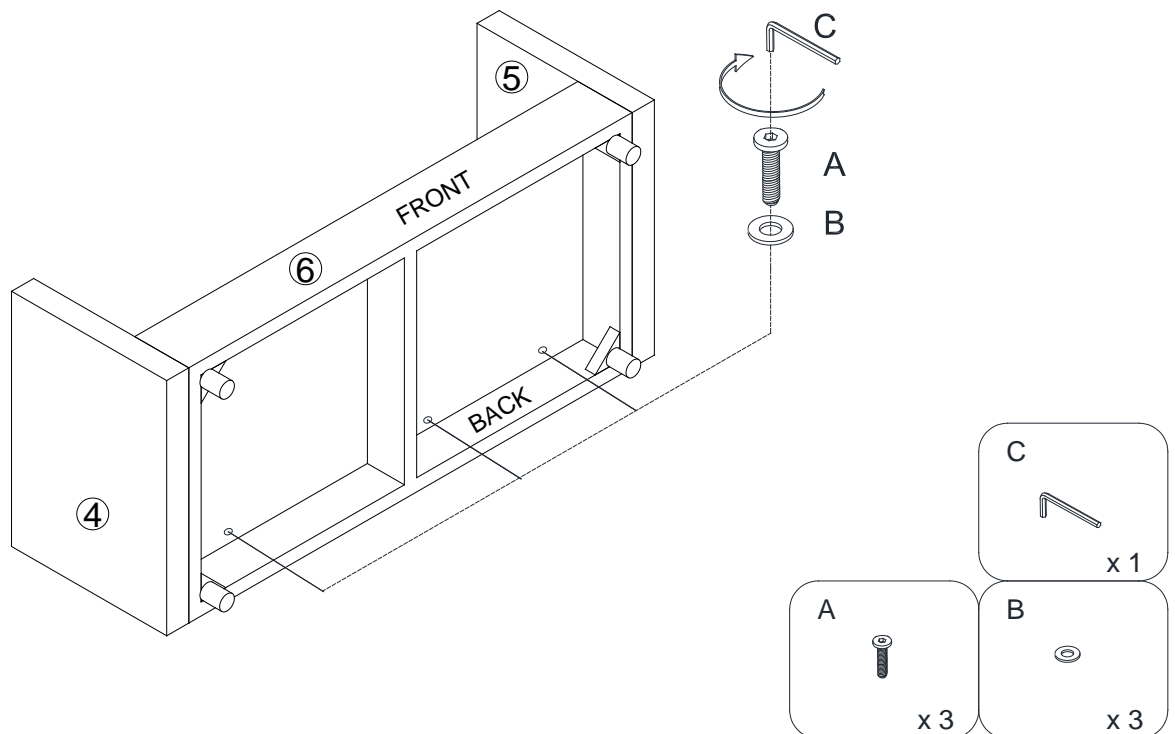


STEP 6:

Insert 3 pieces of **Bolts (A)** with 3 pieces of **Flat Washers (B)** into the pre-drilled holes on **Seat Frame (6)**.

Use **Allen Wrench (C)** to tighten **Bolts (A)** as shown. Don't tight 6 c`hg`f5 L fully.

When @Zi5 fa `f(L, F][\ h5 fa `f) L and 6 UW` : fUa Y fl` fixed, please fully tighten all 6 c`hg`f5 L



Hardware & Tools required

STEP7:

Carefully turn over the assembled unit from step 6 as shown.

Put **Back Cushion (1)**, **Seat Cushion (2)**, and **Pillow (3)** to the assembled sofa as shown.

Assembly is complete. Your Sofa is ready to be used now!

