

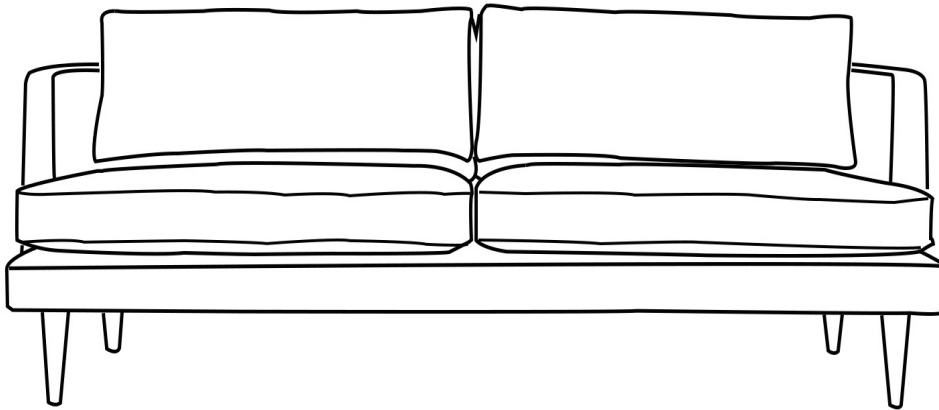
EEI-3057/EEI-3058 SOFA



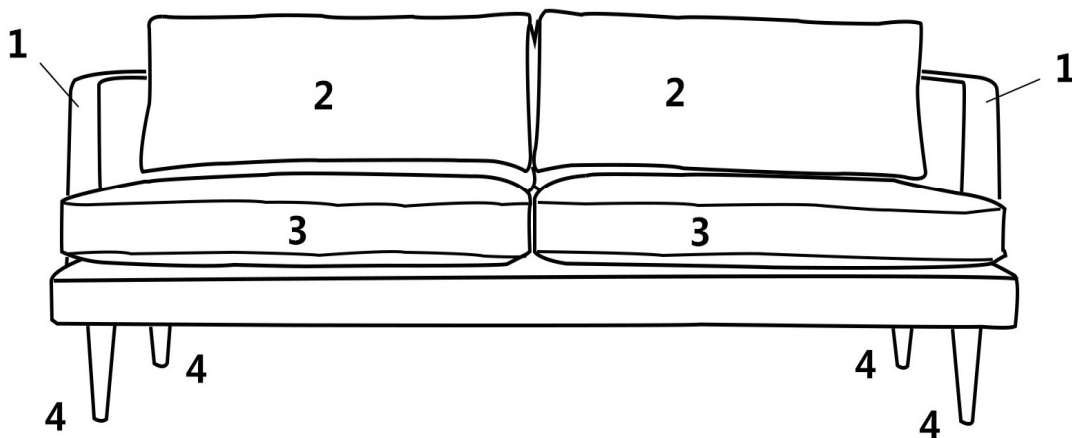
Thank you for purchasing the **MODWAY SOFA** !

Before you start , here are some helpful advice:

1. We suggest you spend a short time reading through this leaflet and then follow the simple step-by step instructions.
2. Owing to the size and weight of the sofa, we recommend that it is assembled by two adults on a carpeted or padded area, in the room that it is intended for. Approximate time: 30 minutes.
3. Please do not use any tools other than those provided or recommended in these instructions.
4. Please do not throw away any of the packaging or instructions until you have checked all the components and hardware and the furniture is fully assembled.
5. Assemble all components loosely until advised to tighten. Depending on use, it may be necessary to tighten the component from time to time ,so please save the tools that have been provided.
6. Please keep all pieces out of reach of children.



Compomets:



- | | |
|--------------------|--------------------|
| 1. Sofa body x1 | 2. Back Cushion x2 |
| 3. Seat Cushion x2 | 4. Leg x4 |

EEI-3057/EEI-3058 SOFA

STEP 1:

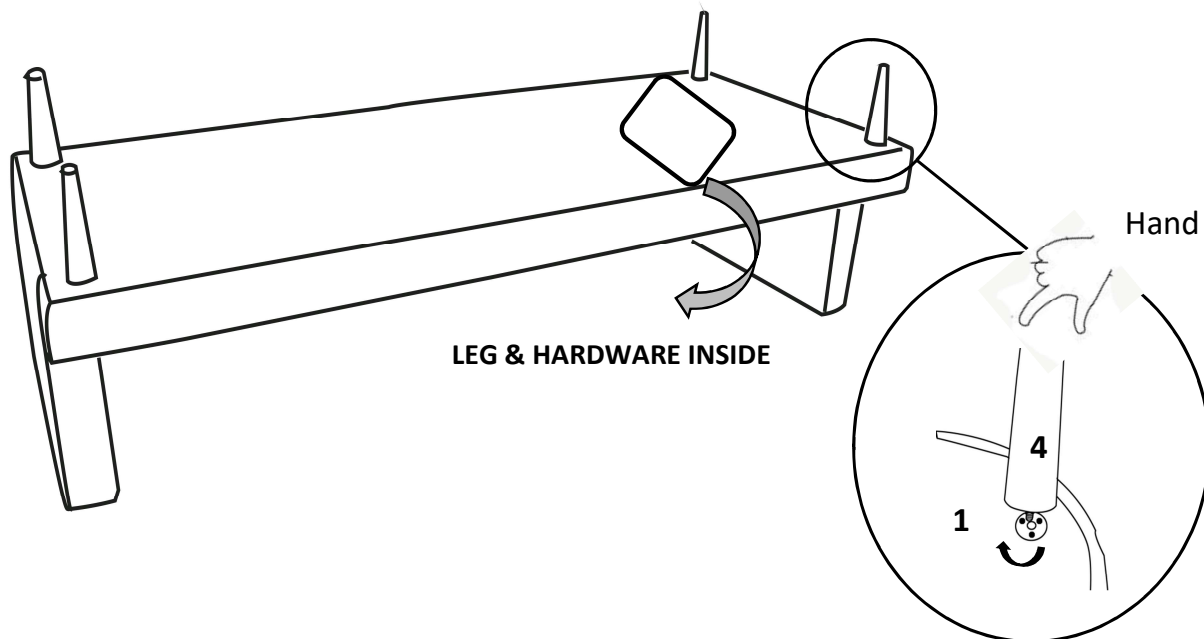
Please turn over the **Sofa Body (1)** on its side on a carpeted or padded area by two adults to make the bottom fully visible.

Please find the package of **Legs (4)** on the bottom of **Sofa Body (1)**. Take out the 4 pieces of **Legs (4)** from the package.

Insert 1 piece **Leg (4)** into the hole on the round metal plate at the corner of the **Sofa Body (1)** as shown.

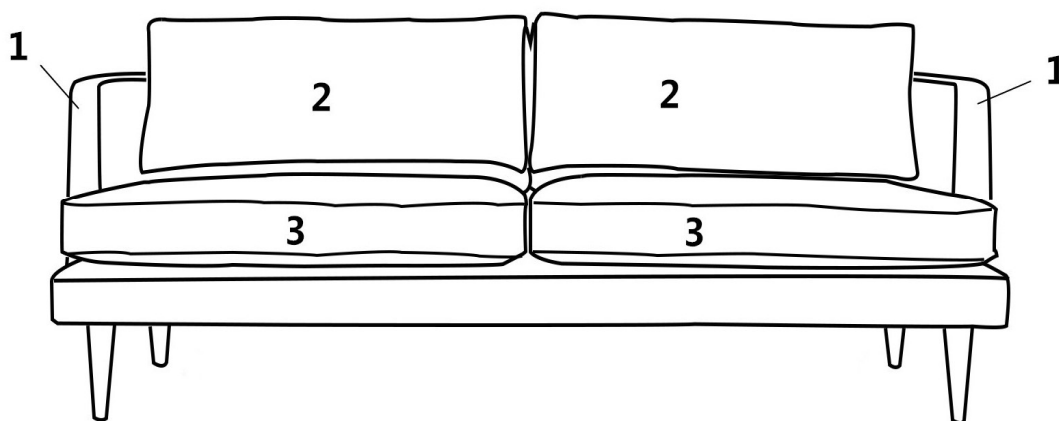
Tighten the **Leg (4)** by hand clockwise until secure.

Repeat the same steps for the other 3 pieces of **Legs (4)**.



STEP 2:

Carefully turn over the **Sofa Body (1)** and put on the **Seat Cushion (3)** and **Back Cushion (2)** as shown.



Assembly is complete. The sofa is ready to enjoy now!