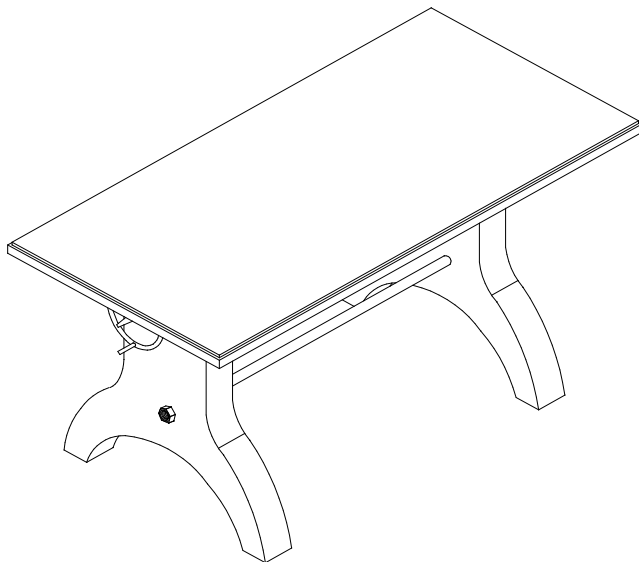


Thank you for purchasing the **MODWAY Dining Table**.

Before you start, here are some helpful advice:

1. We suggest you spend a short time reading through this leaflet and then follow the simple step-by-step instructions.
2. Owing to the size and weight of the Dining Table, we recommend that it is assembled by two adults, on a carpeted or padded area, in the room that it is intended for. Approximate assembly time: 45 minutes.
3. Please do not use any tools other than those provided or recommended in these instructions.
4. Please do not throw away any of the packaging or the instruction until you have checked all the components and hardware and the furniture is fully assembled. Please ensure that the packaging is disposed of in a safe and environmentally friendly way.
5. Assemble all components loosely until advised to tighten. Depending on use, it may be necessary to tighten the components from time to time, so please save the tools that have been provided.
6. Please keep all pieces out of reach of children.

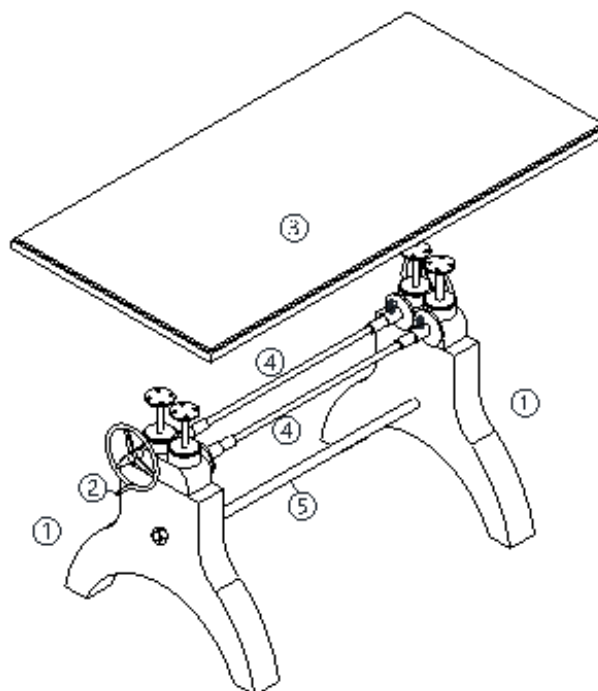


Hardware:

- | | | | |
|----|--|--------------------|-----|
| A. | | Bolt M8x20mm | x16 |
| B. | | Bolt M6x15mm | x2 |
| C. | | Small Flat Washer | x18 |
| D. | | Big Flat Washer | x4 |
| E. | | Allen Wrench M8 | x1 |
| F. | | Allen Wrench M6 | x1 |
| G. | | Large Nut | x2 |
| H. | | Adjustable Spanner | x1 |

*** Not include hardware bag**

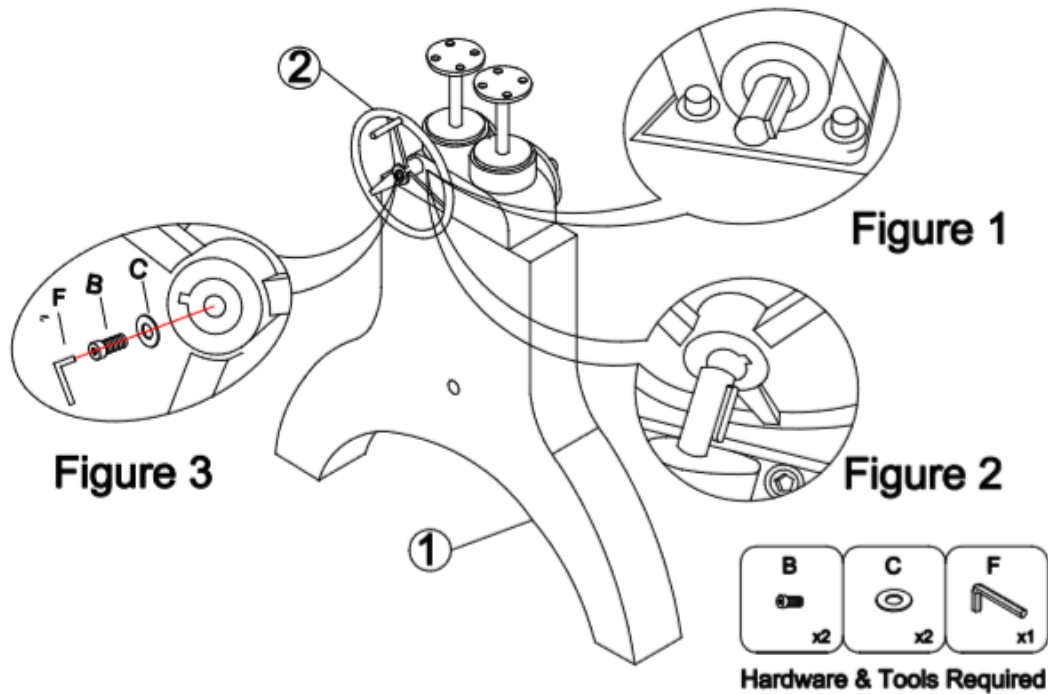
Components:



1. Leg x2 2. Handle x2 3. Top Panel x1 4. Upper Rail x2 5. Bottom Support

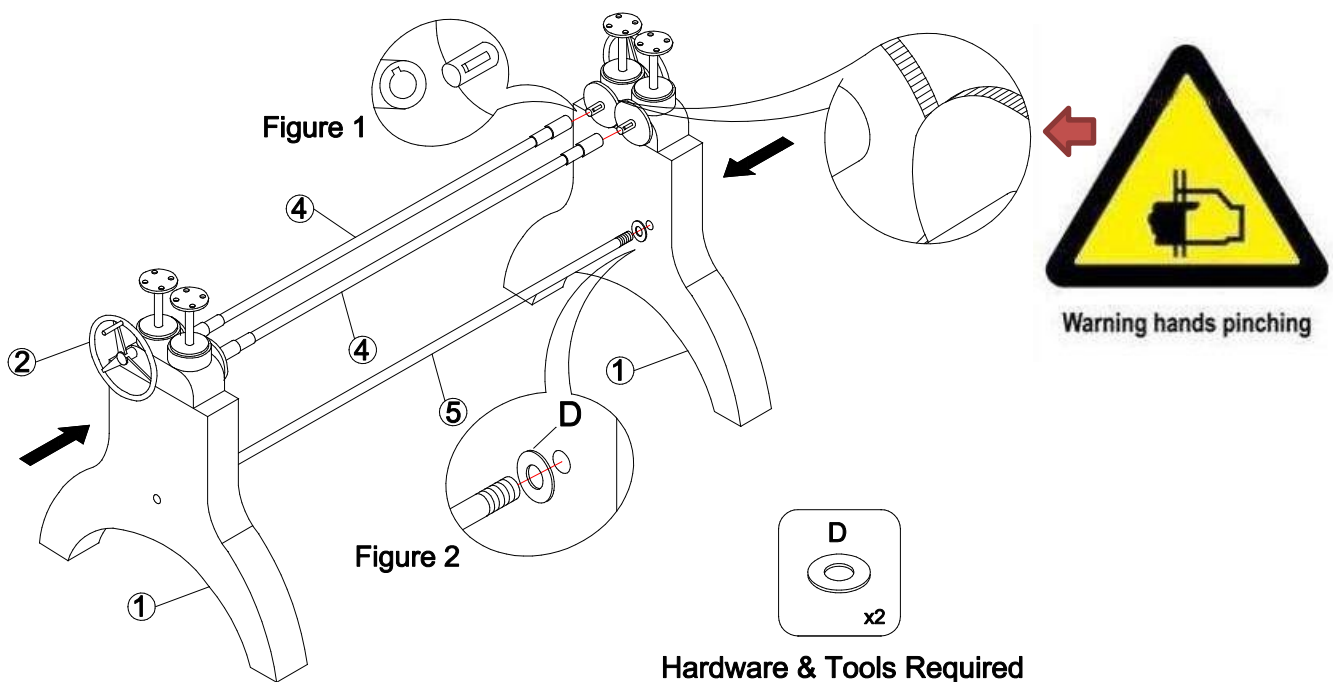
STEP 1:

1. Please remove the plastic cover as shown with Figure 1.
2. Please insert **Handle (2)** into **Leg (1)** by the convex slot as shown with Figure 2.
3. Use **Allen Wrench (F)** to tighten **Bolts (B)** and **Small Flat Washer (C)** clockwise as shown with Figure 3.
4. Repeat the same way to assemble the handle on the other side



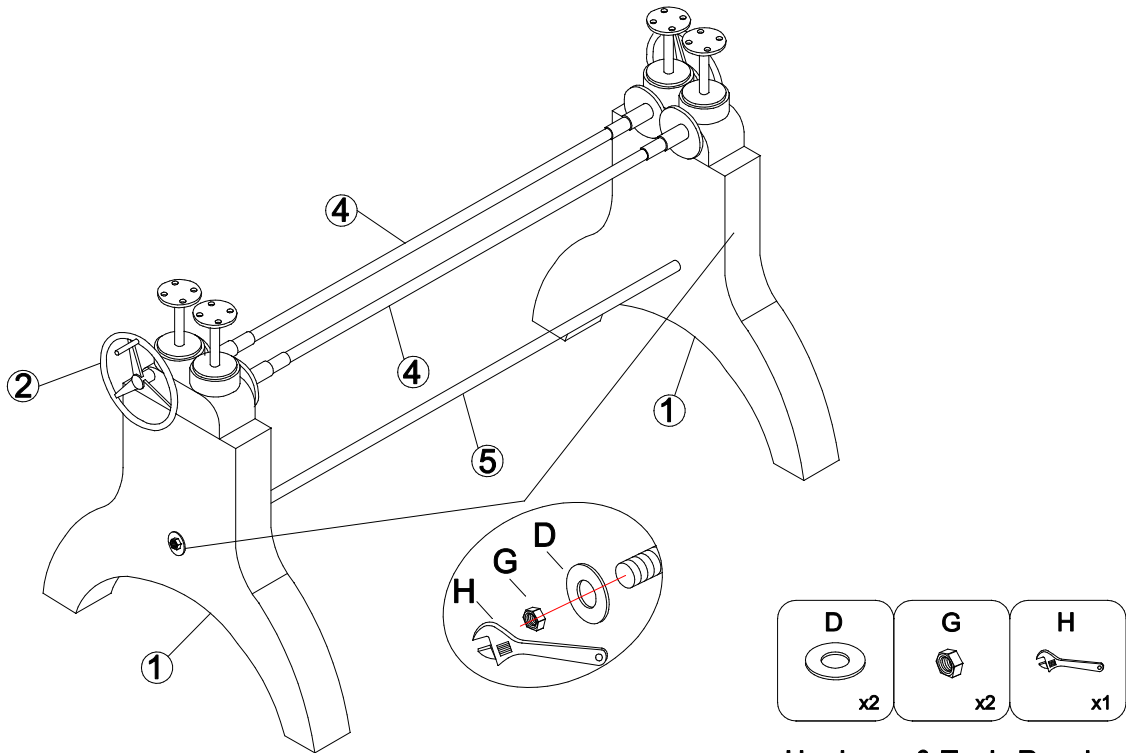
STEP 2:

1. Please insert 1 piece of **Bottom Support (5)** into the pre-drilled holes on one side of **Leg (1)** with 1 piece of **Big Flat Washer (D)** as shown with Figure 2.
2. Please insert 2 pieces of **Upper Rails (4)** into the pre-drilled holes on one side of **Leg (1)** by the convex slot as shown with Figure 1.
3. Repeat the same way to assemble the **Upper Rails (4)** and **Bottom Support (5)** on the other side of **Leg (1)**.



STEP 3:

1. Attach 1 piece of **Big Nut (G)** and 1 piece of **Big Flat Washer (D)** to the end of **Bottom Support (5)** as shown.
2. Use **Adjustable Spanner (H)** to tighten **Big Nut (G)** clockwise until secure.
3. Repeat the same way to assemble the other side.

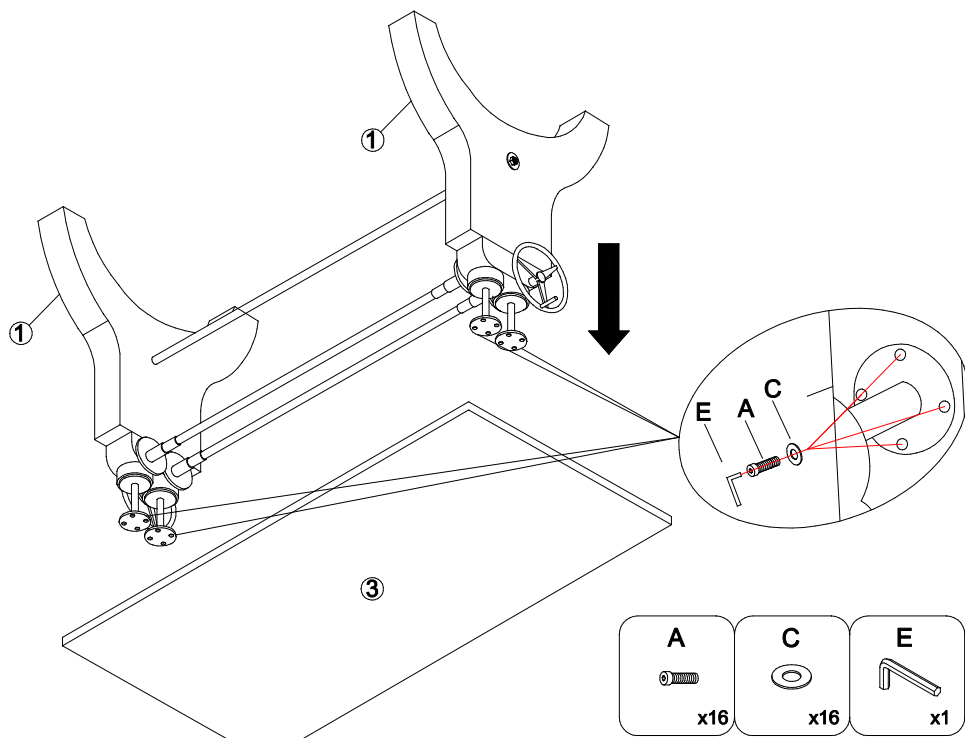


Hardware & Tools Required

STEP 4:

1. Please put **Top Panel (3)** upside down on a carpeted or padded surface.
2. Attach **Leg (1)** to the **Top Panel (3)** by using 16 pieces of **Bolts (A)** and 16 pieces of **Small Flat Washers (C)** as shown and use **Allen Wrench (E)** to tighten all **Bolts (B)** clockwise as shown.

Note: It takes two adults to lift **Legs (1)** when placed on the **Top Panels (3)**.

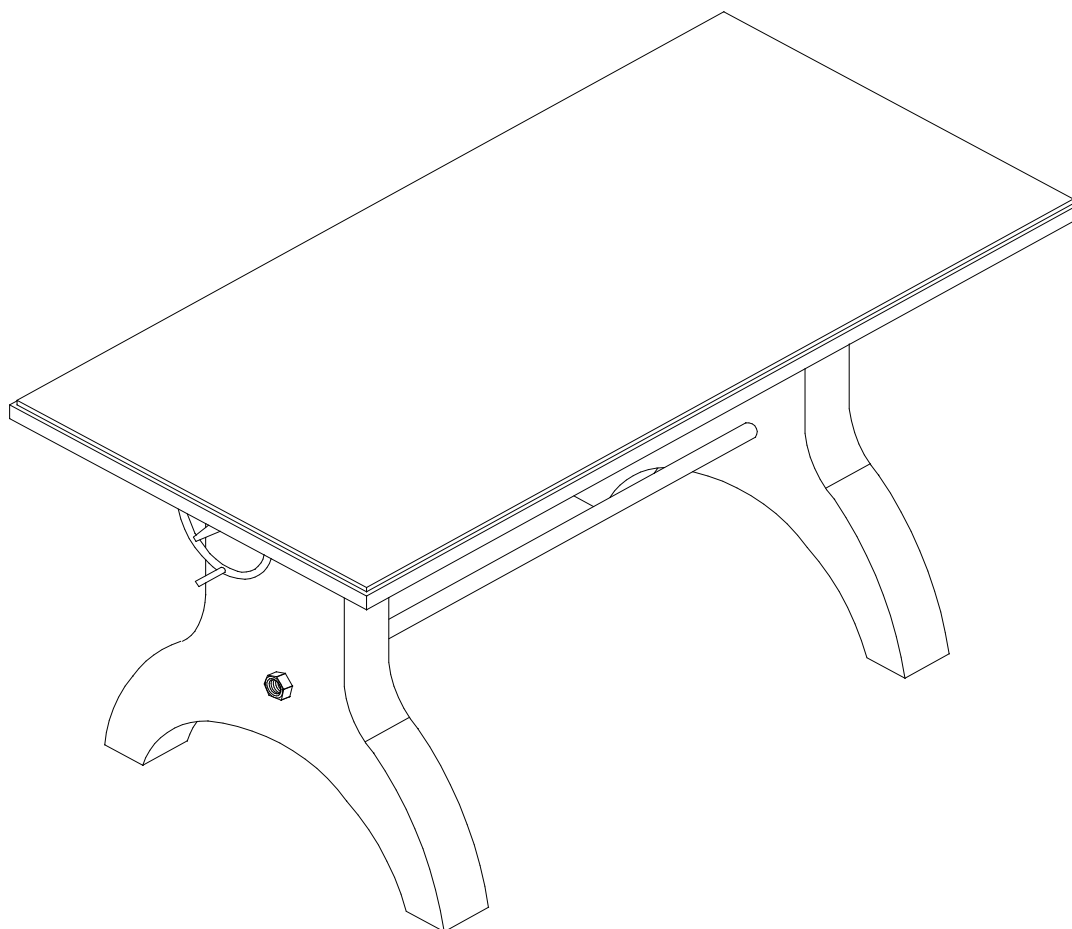
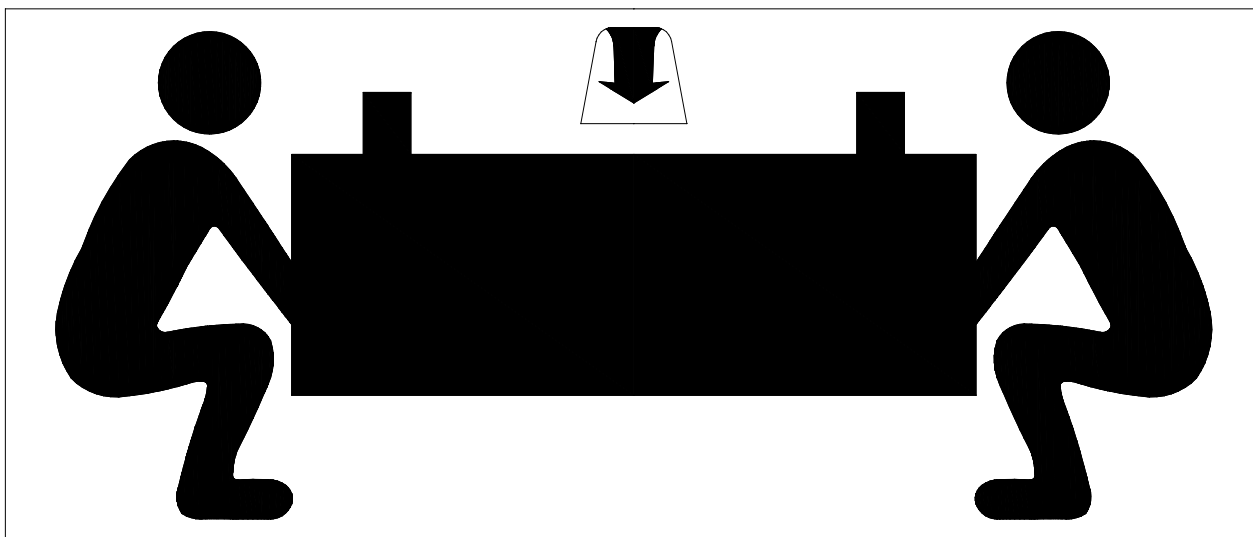


Hardware & Tools Required

STEP 5

Carefully turn over the assembled **Dining Table** by at two adults.

Note: Shaking the **handle (2)** can adjust the height of the **Top panel (3)**.



Assembly is complete. Your Dining Table is ready to enjoy now!