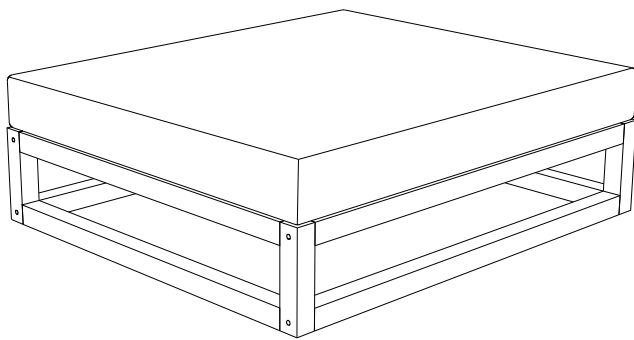




Thank you for purchasing the **MODWAY OTTOMAN**.

Before you start, here are some helpful advice:

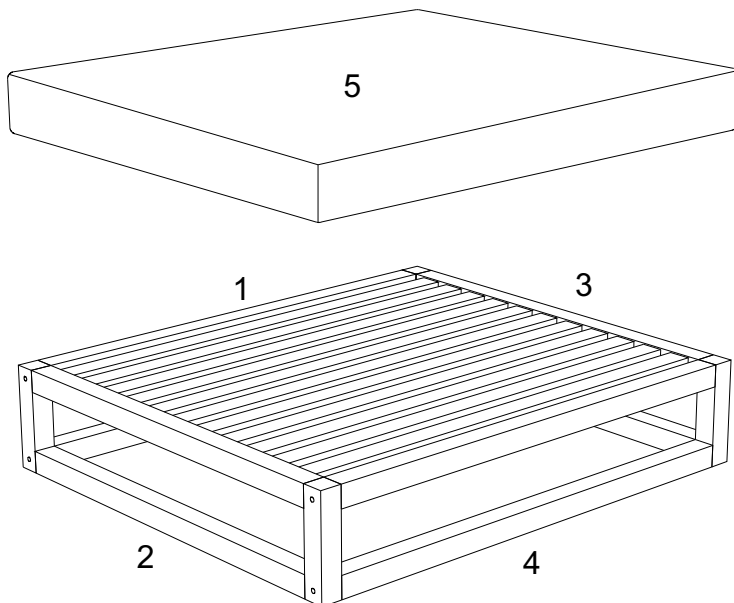
1. We suggest you spend a short time reading through this leaflet and then follow the simple step by step instructions.
2. Owing to the size and weight of the ottoman, we recommend that it is assembled by two adults, on a carpeted or padded area, in the room that it is intended for. Approximate assembly time: 30 minutes.
3. Please do not use any tools other than those provided or recommended in these instructions.
4. Please do not throw away any of the packaging or instructions until you have checked all the components and hardware and the furniture is fully assembled.
5. Assemble all components loosely until advised to tighten. Depending on use, it may be necessary to tighten the components from time to time, so please save the tools that have been provided.
6. Please keep all pieces out of reach of small children.



Hardware:

- | | | | |
|---|--|-----------------|-----|
| A |  | Bolt M6x50mm | x 8 |
| B |  | Allen Wrench M5 | x 1 |

Component:



- | | |
|-------------------|----|
| 1. Seat Frame | x1 |
| 2. Left Frame | x1 |
| 3. Right Frame | x1 |
| 4. Support Wooden | x2 |
| 5. Cushion | x1 |

STEP 1:

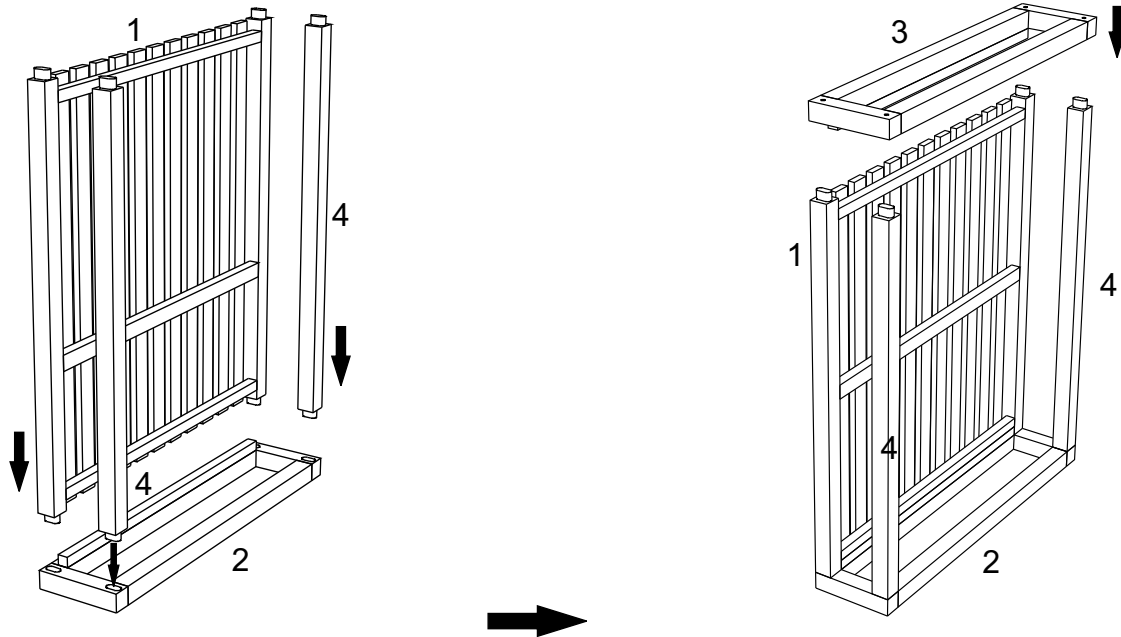
Please put **Left Frame (2)** on a carpeted or padded area.

Insert the tenon on **Seat Frame (1)** into the rabbet on **Left Frame (2)** at first.

Insert wooden bar or **Support Wooden (4)** one by one through drilling hole.

Carefully position **Right Frame (3)** to the assembled **Seat Frame (1)**, **Left Frame (2)** and **Support Wooden (4)** as shown.

Insert the tenon on **Seat Frame (1)**, **Left Frame (2)** and **Support Wooden (4)** into the rabbet on **Right Frame (3)**.

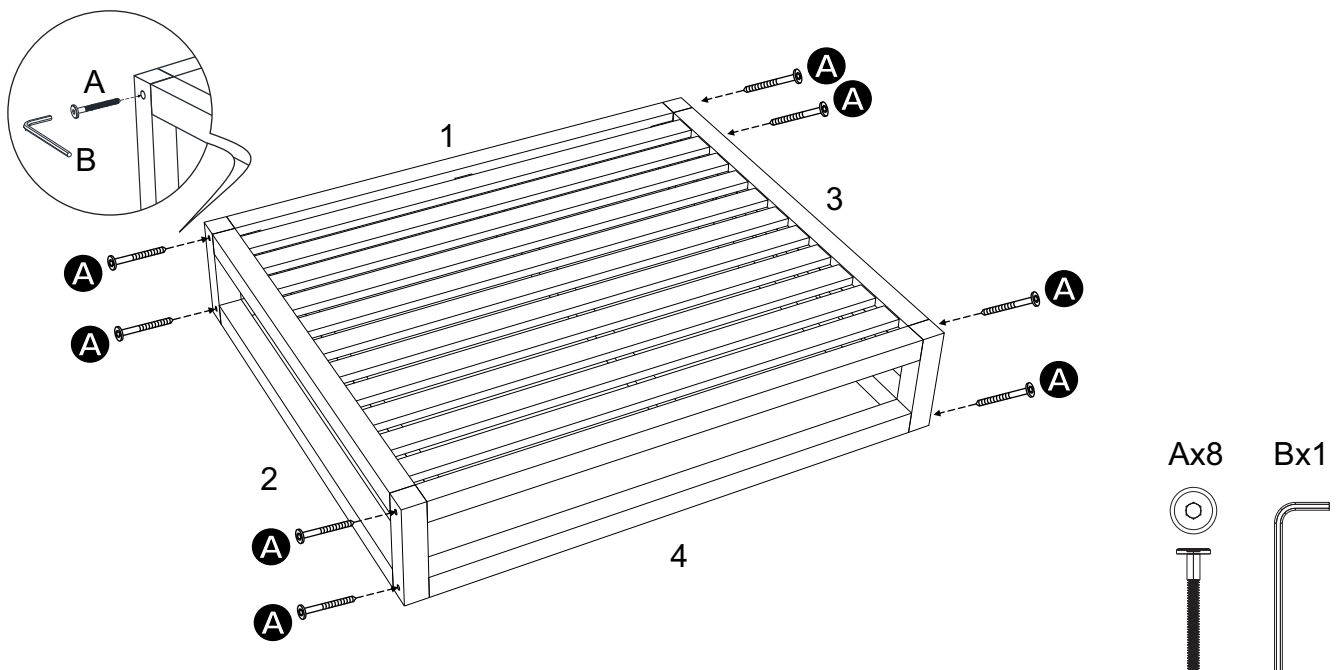


STEP 2:

Carefully turn over the assembled **Seat Frame (1)**, **Left Frame (2)**, **Right Frame (3)** and **Support Wooden (4)**. Insert 4 pieces of **Bolt (A)** into the pre-drilled holes on **Seat Frame (1)** through the top pre-drilled holes on **Left Frame (2)**.

Use **Allen Wrench (B)** to tighten **Bolts (A)** clockwise until secure.

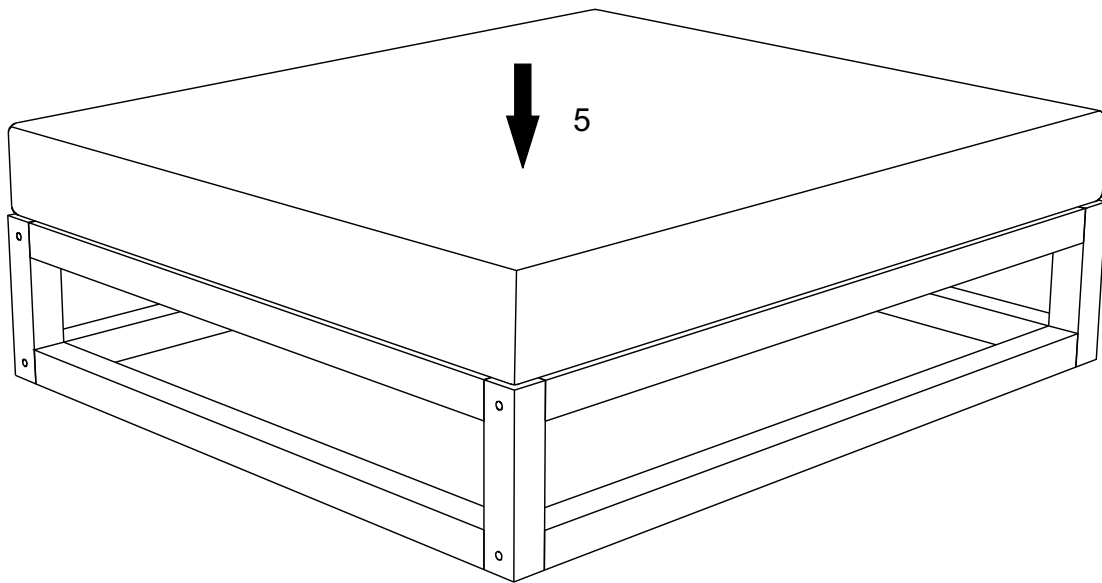
Repeat the same steps for **Right Frame (3)**.



Hardware & Tool required

STEP 3:

Carefully position the assembled ottoman to the desired location.
Put **Cushion (4)** into the assembled ottoman as shown.



Assembly is complete. Your ottoman is ready to be used now!