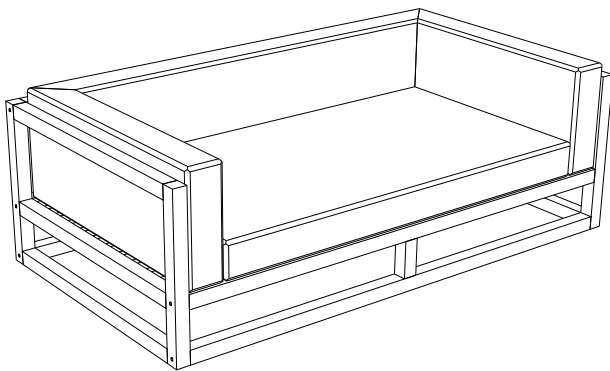


Thank you for purchasing the **MODWAY LOVESEAT**.

Before you start, here are some helpful advice:

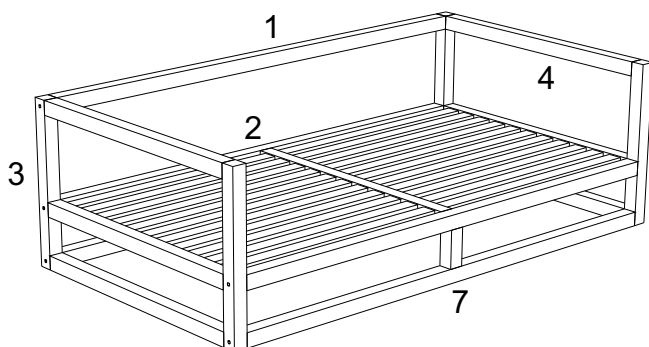
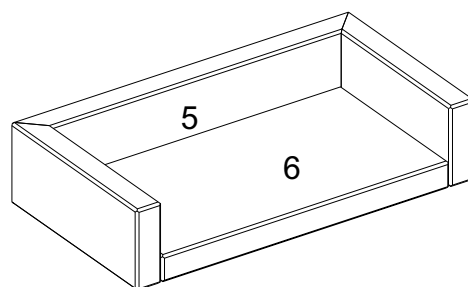
1. We suggest you spend a short time reading through this leaflet and then follow the simple step by step instructions.
2. Owing to the size and weight of the loveseat, we recommend that it is assembled by two adults, on a carpeted or padded area, in the room that it is intended for. Approximate assembly time: 30 minutes.
3. Please do not use any tools other than those provided or recommended in these instructions.
4. Please do not throw away any of the packaging or instructions until you have checked all the components and hardware and the furniture is fully assembled.
5. Assemble all components loosely until advised to tighten. Depending on use, it may be necessary to tighten the components from time to time, so please save the tools that have been provided.
6. Please keep all pieces out of reach of small children.



**Hardware:**

- |   |  |                 |      |
|---|--|-----------------|------|
| A |  | Bolt M6x50mm    | x 10 |
| B |  | Screws          | x 4  |
| C |  | Screwdriver     | x 1  |
| D |  | Allen Wrench M4 | x 1  |

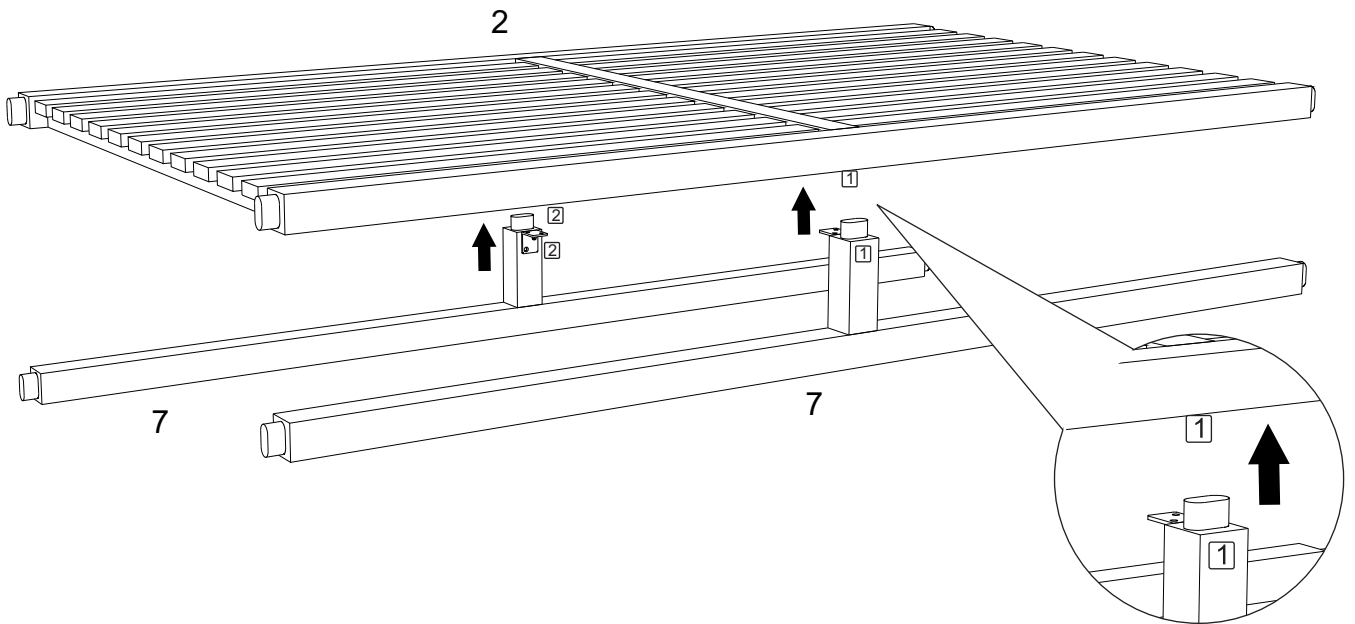
**Component:**



- |                   |    |
|-------------------|----|
| 1. Chair Back     | x1 |
| 2. Chair Seat     | x1 |
| 3. Left Frame     | x1 |
| 4. Right Frame    | x1 |
| 5. Back Cushion   | x1 |
| 6. Seat Cushion   | x1 |
| 7. Support Wooden | x2 |

**STEP 1:**

Please assemble **Chair Seat (2)** first including the **Support Wooden (7)**.  
 Insert the tenon on **Support Wooden (7)** into the rabbet on **Chair Seat (2)** at first.



**STEP 2:**

Carefully insert the tenon on **Chair Back (1)**, **Chair Seat (2)** and **Support Wooden (7)** and into the rabbet on **Left Frame (3)** and **Right Frame (4)** as shown.

