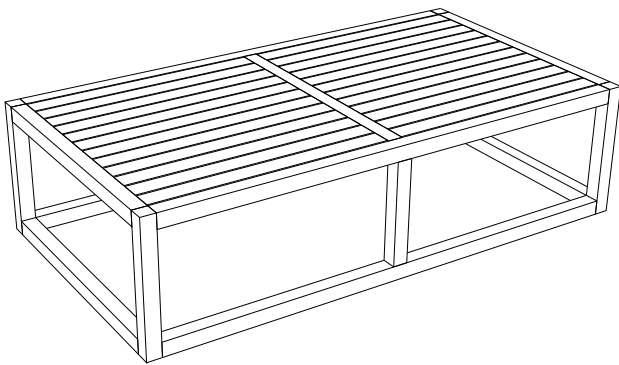


Thank you for purchasing the **MODWAY COFFEE TABLE**.

Before you start, here are some helpful advice:

1. We suggest you spend a short time reading through this leaflet and then follow the simple step by step instructions.
2. Owing to the size and weight of the coffee table, we recommend that it is assembled by two adults, on a carpeted or padded area, in the room that it is intended for. Approximate assembly time: 30 minutes.
3. Please do not use any tools other than those provided or recommended in these instructions.
4. Please do not throw away any of the packaging or instructions until you have checked all the components and hardware and the furniture is fully assembled.
5. Assemble all components loosely until advised to tighten. Depending on use, it may be necessary to tighten the components from time to time, so please save the tools that have been provided.
6. Please keep all pieces out of reach of small children.

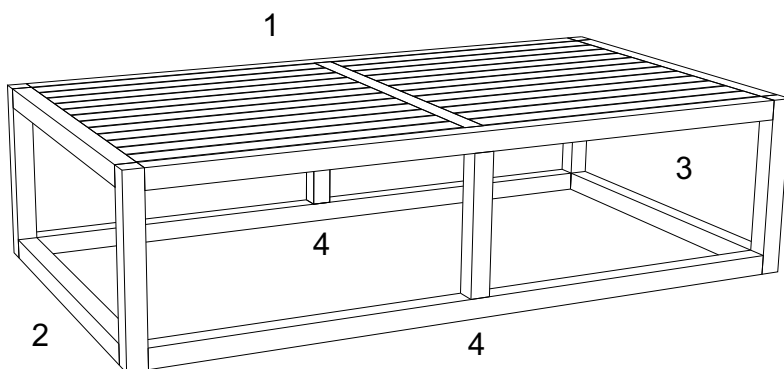


Hardware:

A		Bolt M6x40mm	x 8
B		Screws	x 4
C		Screwdriver	x 1
D		Allen Wrench M4	x 1

Component:

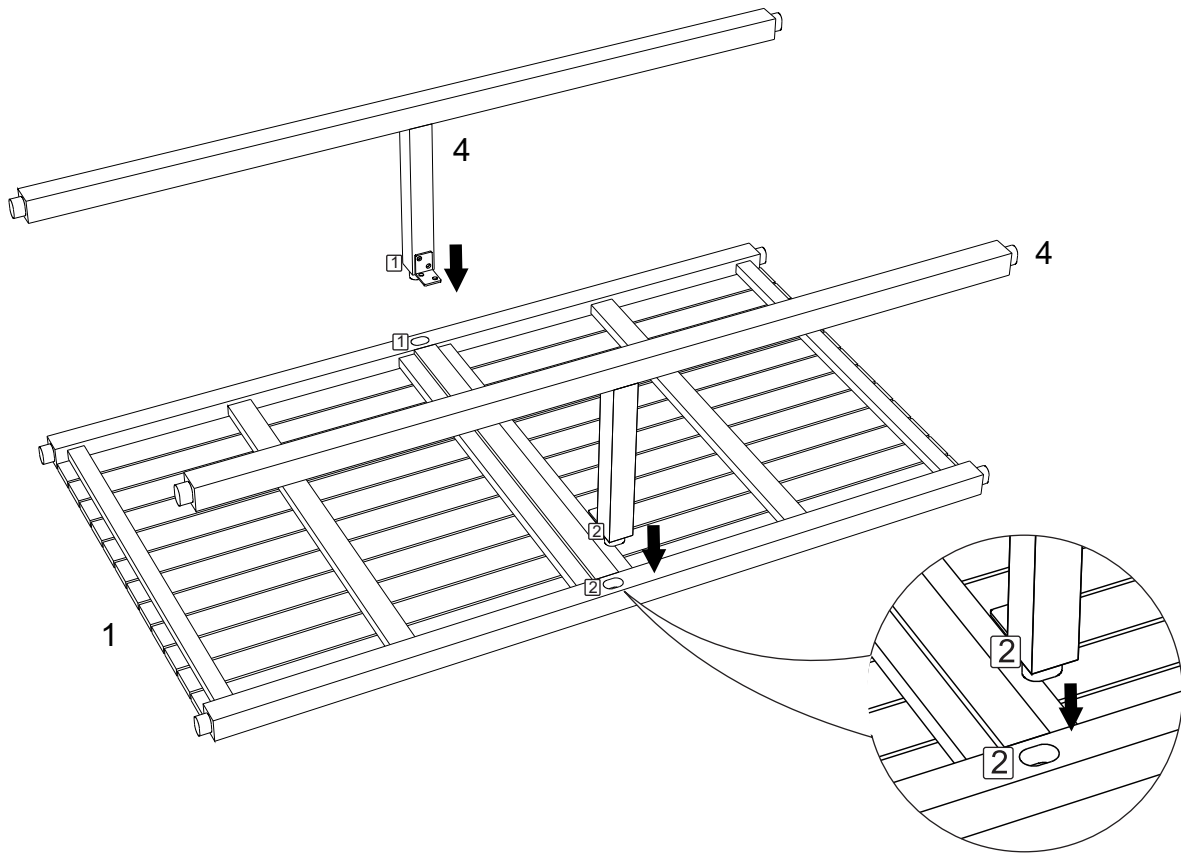
1. Top Table	x1
2. Left Frame Legs	x1
3. Right Frame Legs	x1
4. Support Wooden	x2



STEP 1:

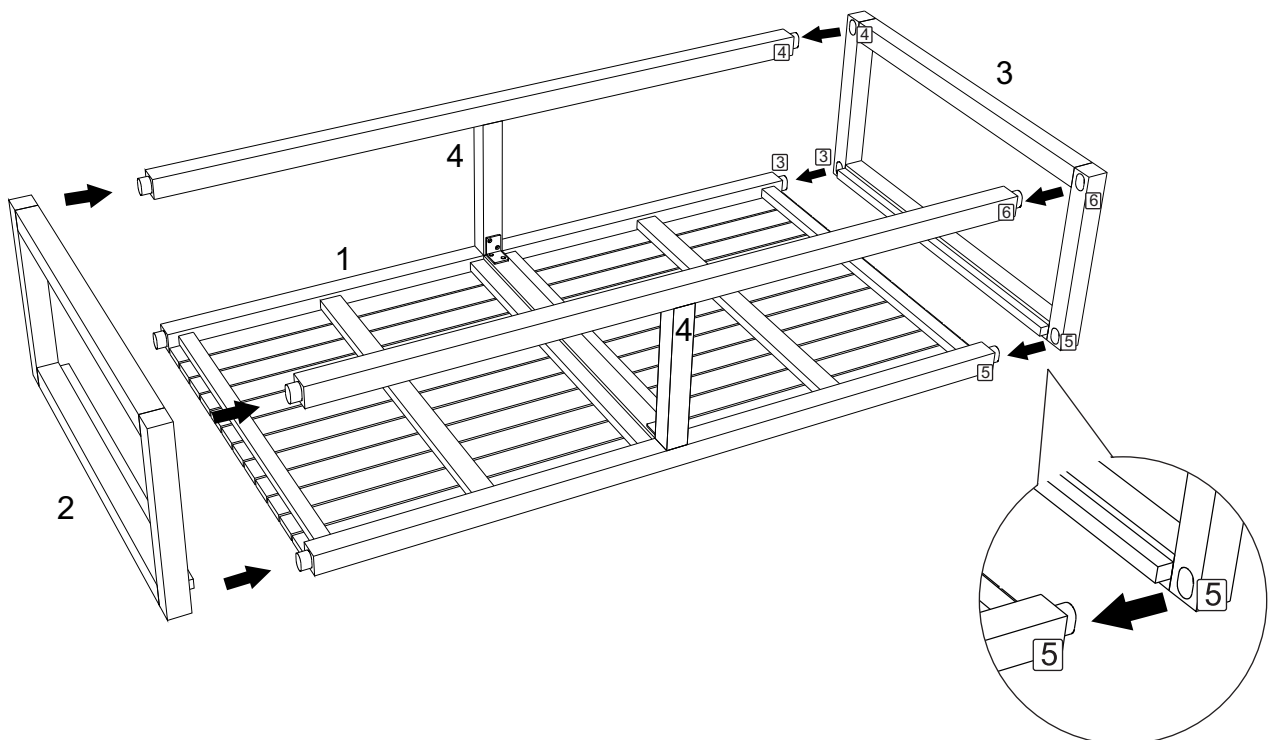
Please put back side of **Top Table (1)** on a carpeted or padded area.

Insert the **Support Wooden (4)** into the metal hinges or metal support one by one through the drilling hole.



STEP 2:

Carefully insert the tenon on **Left Frame Legs (2)** and **Right Frame Legs (3)** and into the rabbet on **Right Frame (4)** and **Support Wooden (7)** as shown.



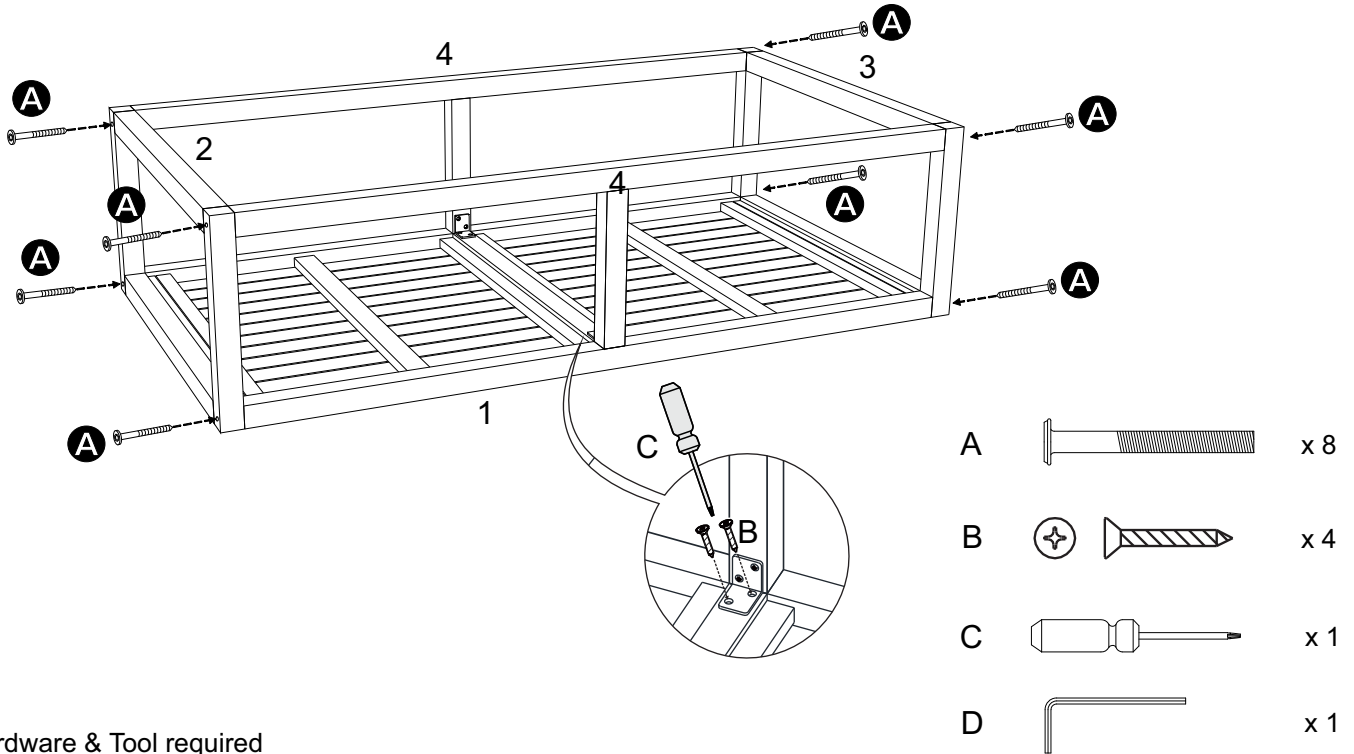
STEP 2:

Insert 4 pieces of **Bolt (A)** into the pre-drilled holes on **Top Table (1)** and **Support Wooden (7)** through the top pre-drilled holes on **Left Frame Legs (2)**.

Use **Allen Wrench (D)** to tighten **Bolts (A)** clockwise until secure.

Repeat the same steps for **Right Frame Legs (3)**.

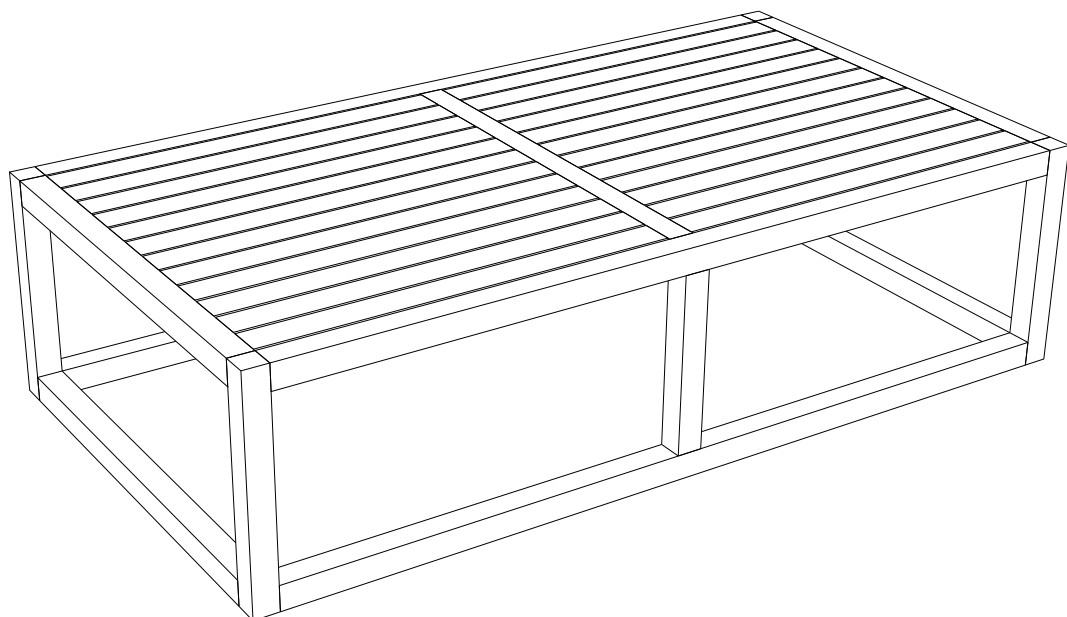
Insert 4 pieces of **Screws (B)** into the pre-drilled holes on **Chair Seat (2)**, tighten it with **Screwdriver (C)**.



Hardware & Tool required

STEP 3:

Carefully turn over the assembled Coffee Table.



Assembly is complete. Your coffee table is ready to be used now!