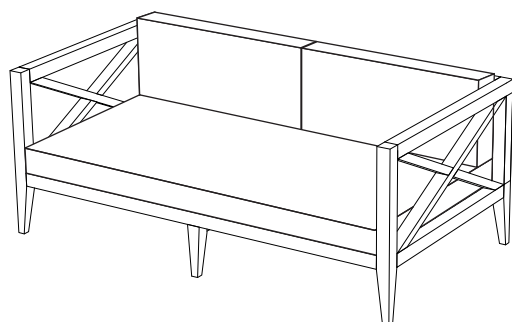




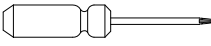

Thank you for purchasing the **MODWAY SOFA!**

Before you start, here are some helpful advice:

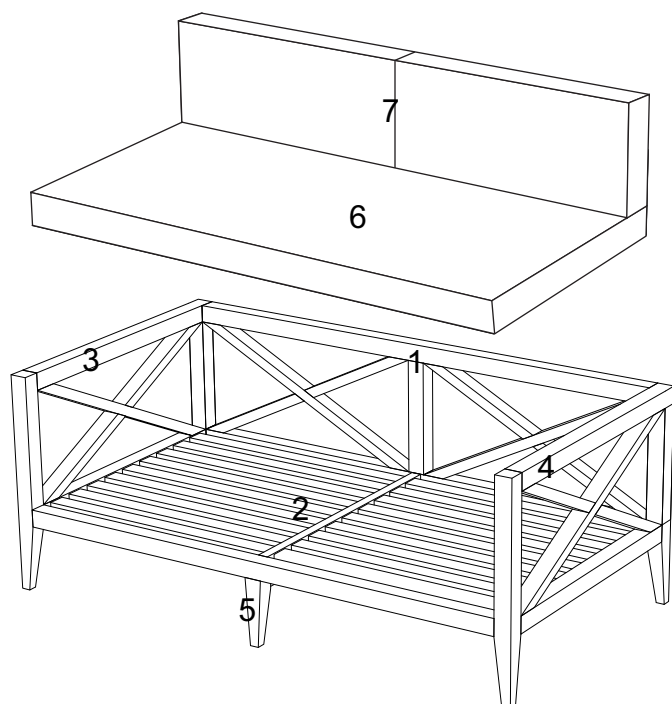
1. We suggest you spend a short time reading through this leaflet and then follow the simple step by step instructions.
2. Owing to the size and weight of the sofa, we recommend that it is assembled by two adults, on a carpeted or padded area, in the room that it is intended for. Approximate assembly time: 30 minutes.
3. Please do not use any tools other than those provided or recommended in these instructions.
4. Please do not throw away any of the packaging or instructions until you have checked all the components and hardware and the furniture is fully assembled.
5. Assemble all components loosely until advised to tighten. Depending on use, it may be necessary to tighten the components from time to time, so please save the tools that have been provided.
6. Please keep all pieces out of reach of small children.



Hardware:

A		Bolt M6x50mm	x 10
B		Screws	x 4
C		Screwdriver	x 1
D		Allen Wrench M4	x 1

Component:

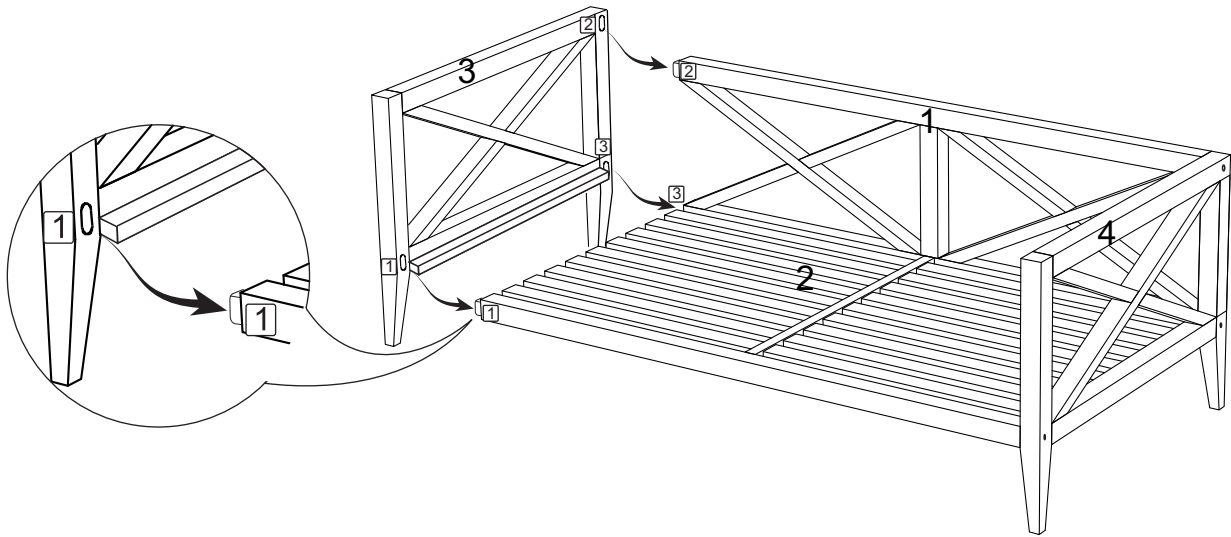


1. Chair Back	x1
2. Chair Seat	x1
3. Left Frame	x1
4. Right Frame	x1
5. Middle Front & Rear Legs	x2
6. Seat Cushion	x1
7. Cushion Back	x2

STEP 1:

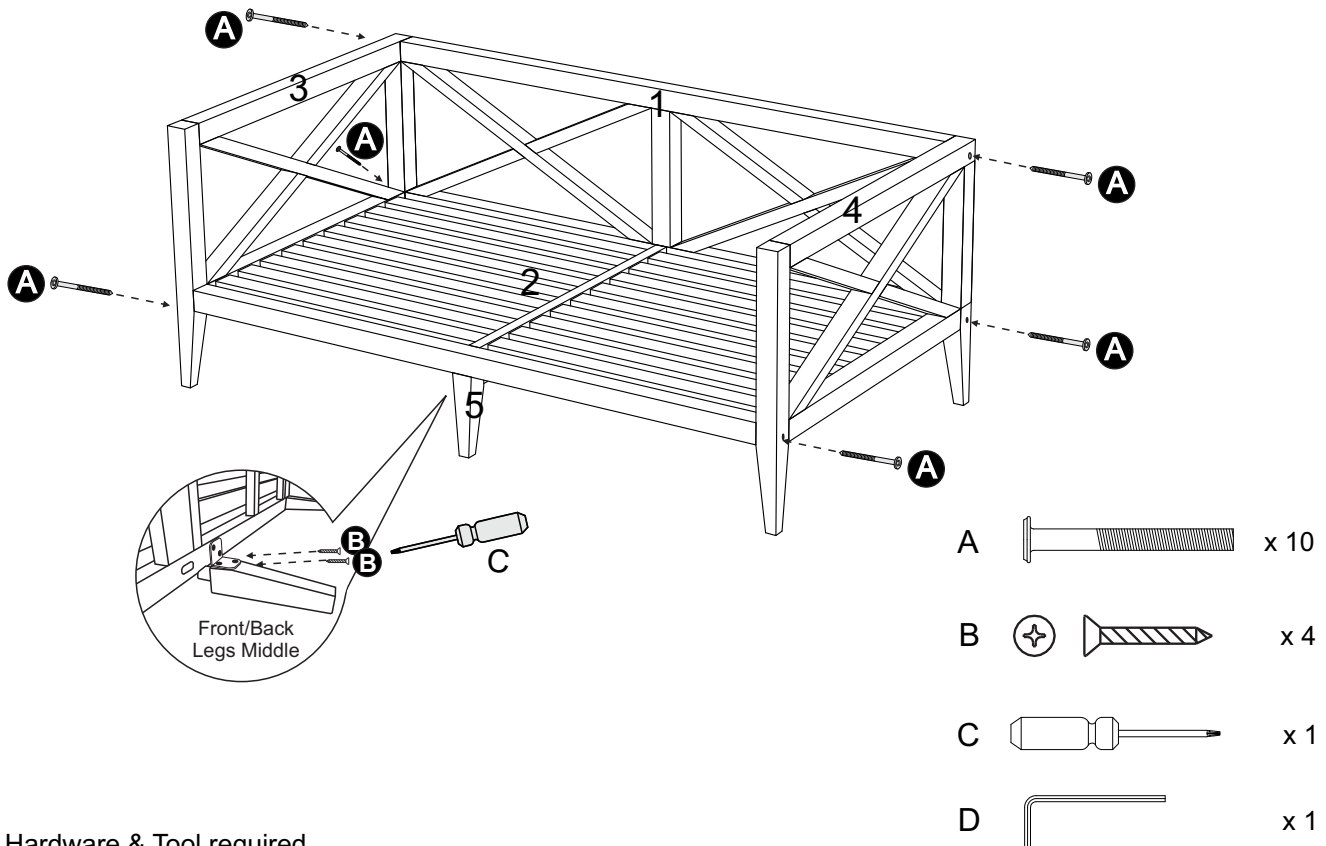
Please assemble **Sofa Seat** first including the **Support Wooden**.

- Insert the rabbet on the **Left Frame (3)** into the tenon on **Chair Seat (2)** and **Chair Back (1)** at first.
- Repeat the same steps for the **Right Frame (4)**.



STEP 2:

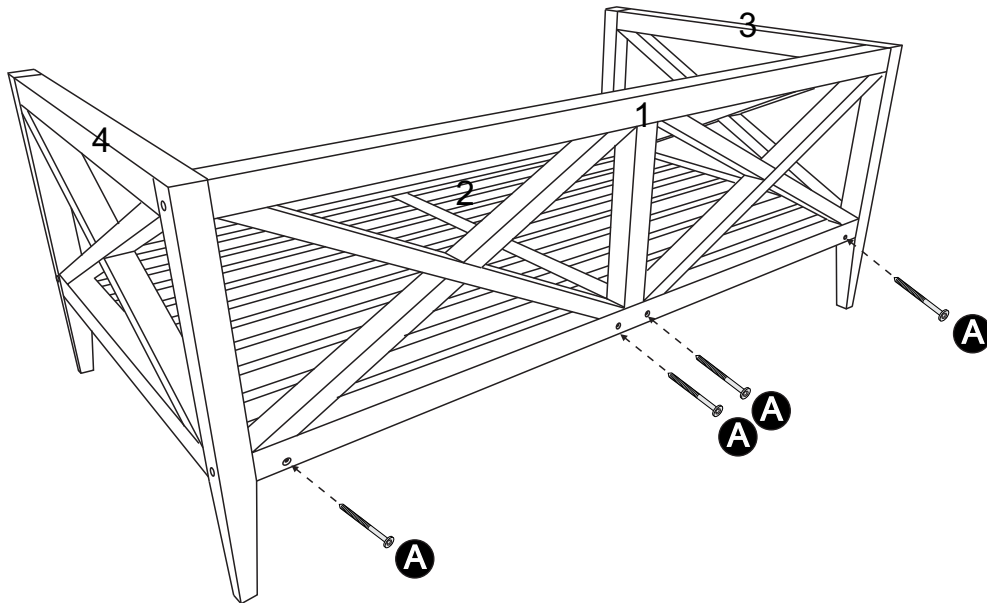
- Insert 3 pieces of **Bolt (A)** into the pre-drilled holes on **Chair Back (1)**, and **Chair Seat (2)**, through the top pre-drilled holes on **Right Frame (4)**. Use **Allen Wrench (D)** to tighten **Bolts (A)** clockwise until secure.
- Repeat the same steps for **Left Frame (3)**.
- Roll the sofa to the front to attach the **Front Middle Leg (5)**. Then insert 2 pieces of **Screws (B)**, into the pre-drilled holes on **Sofa Seat (2)**, Tighten it with **Screwdriver (C)**.
- Roll the sofa to the back to put the **Middle Leg Back (5)** Then insert 2 pieces of **Screws (B)**, into the pre-drilled holes on **Sofa Seat (2)**, Tighten it with **Screwdriver (C)**.



Hardware & Tool required

STEP 3:

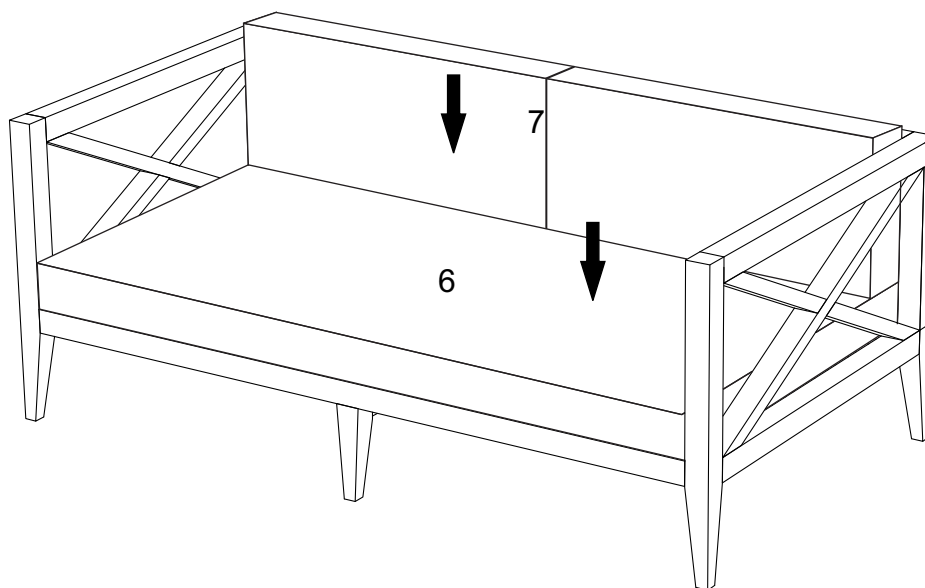
- Insert 4 pieces of **Bolt (A)** into the pre-drilled holes on **Chair Back (1)**.



STEP 4:

Carefully position the assembled chair to the desired location.

Put **Seat Cushion (6)** and **Back Cushion (7)** into the assembled chair as shown.



Assembly is complete. Your Sofa is ready to be used now!