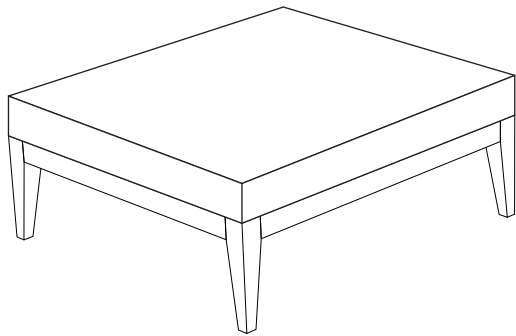


Thank you for purchasing the **MODWAY OTTOMAN!**

Before you start, here are some helpful advice:

1. We suggest you spend a short time reading through this leaflet and then follow the simple step by step instructions.
2. Owing to the size and weight of the ottoman, we recommend that it is assembled by two adults, on a carpeted or padded area, in the room that it is intended for. Approximate assembly time: 30 minutes.
3. Please do not use any tools other than those provided or recommended in these instructions.
4. Please do not throw away any of the packaging or instructions until you have checked all the components and hardware and the furniture is fully assembled.
5. Assemble all components loosely until advised to tighten. Depending on use, it may be necessary to tighten the components from time to time, so please save the tools that have been provided.
6. Please keep all pieces out of reach of small children.

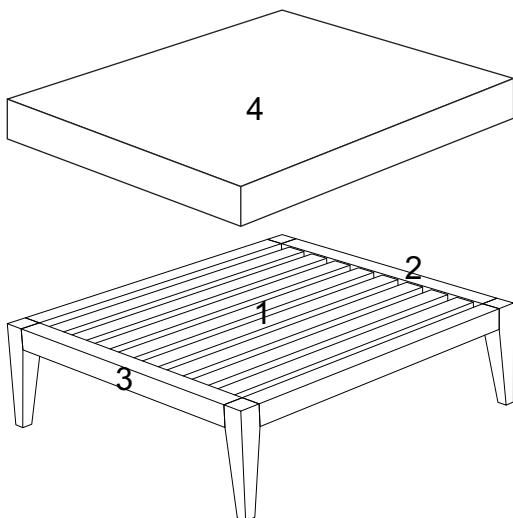


Hardware:

A  Bolt M6x50mm x 4

B  Allen Wrench M4 x 1

Component:



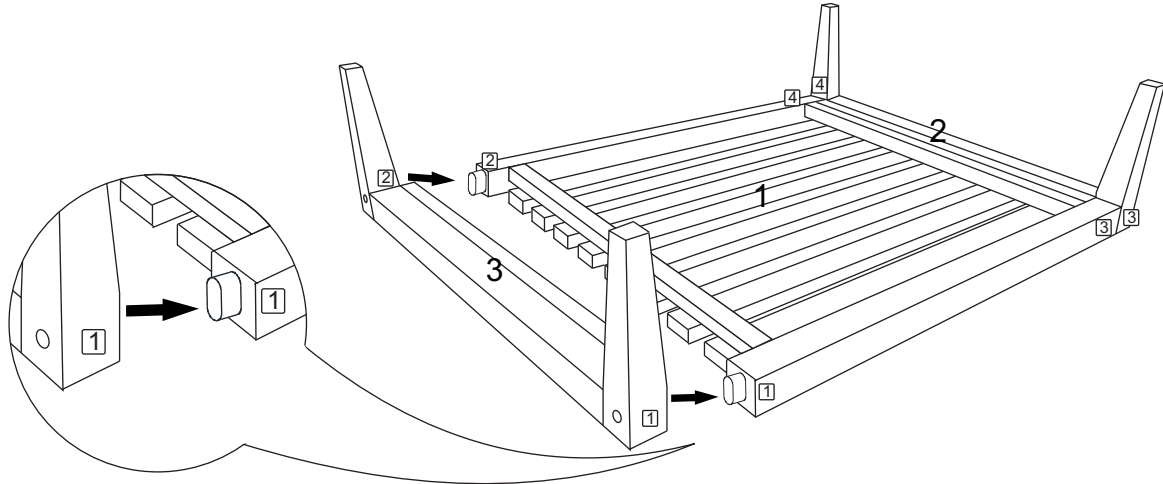
- | | |
|----------------|----|
| 1. Seat Frame | x1 |
| 2. Left Frame | x1 |
| 3. Right Frame | x1 |
| 4. Cushion | x1 |

STEP 1:

Please put **Seat Frame (1)** on a carpeted or padded area.

Insert the rabbet on **Right Frame (3)** into the tenon on **Seat Frame (1)** at the frame.

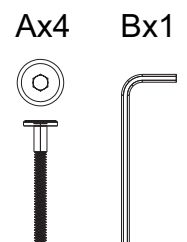
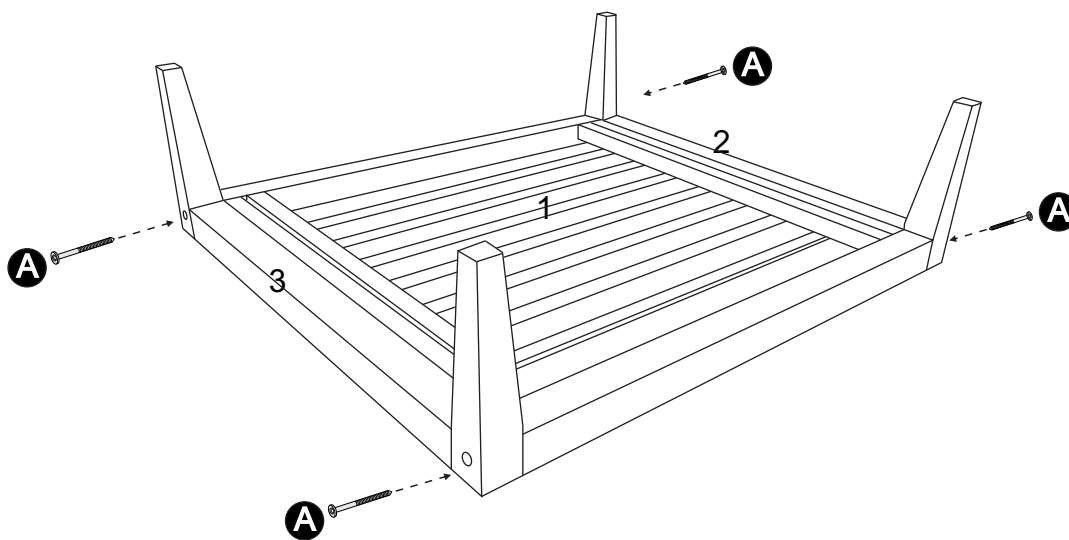
Repeat the same steps for the **Left Frame (2)**.



STEP 2:

Insert 2 pieces of **Bolt (A)** into the pre-drilled holes on **Seat Frame (1)** through the top pre-drilled holes on **Left Frame (2)**. Use **Allen Wrench (B)** to tighten **Bolts (A)** clockwise until secure.

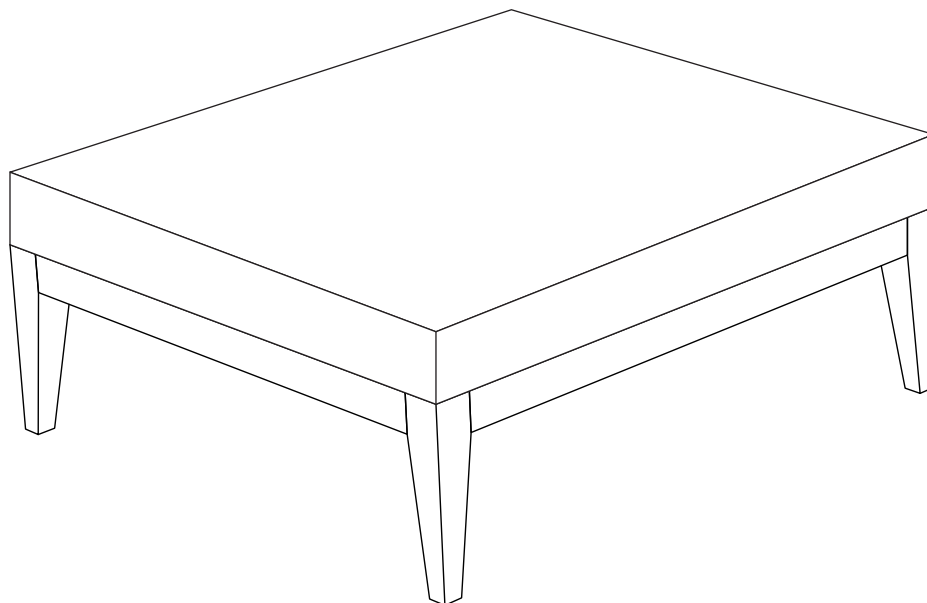
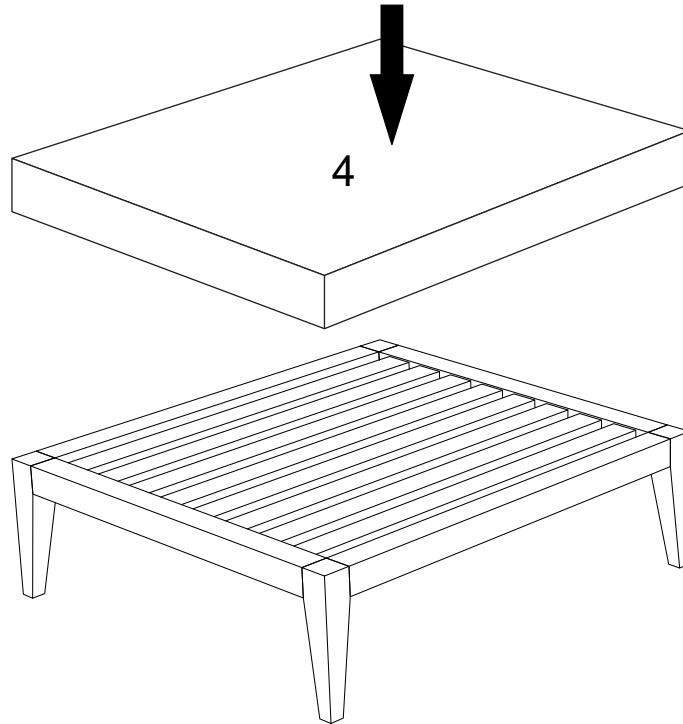
Repeat the same steps for **Left Frame (3)**.



Hardware & Tool required

STEP 3:

Carefully position the assembled ottoman to the desired location.
Put **Cushion (4)** into the assembled ottoman as shown.



Assembly is complete. Your ottoman is ready to be used now!