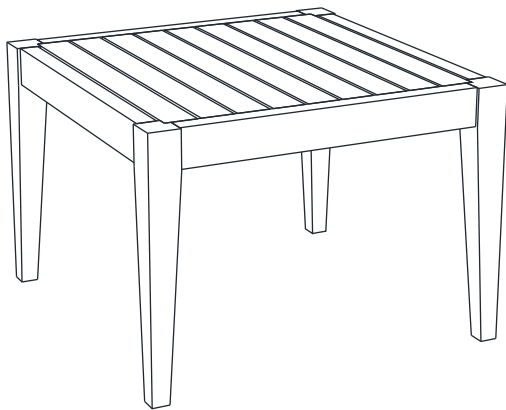




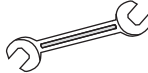
Thank you for purchasing the **MODWAY SIDE TABLE!**

Before you start, here are some helpful advice:

1. We suggest you spend a short time reading through this leaflet and then follow the simple step by step instructions.
2. Owing to the size and weight of the side table, we recommend that it is assembled by two adults, on a carpeted or padded area, in the room that it is intended for. Approximate assembly time: 30 minutes.
3. Please do not use any tools other than those provided or recommended in these instructions.
4. Please do not throw away any of the packaging or instructions until you have checked all the components and hardware and the furniture is fully assembled.
5. Assemble all components loosely until advised to tighten. Depending on use, it may be necessary to tighten the components from time to time, so please save the tools that have been provided.
6. Please keep all pieces out of reach of small children.

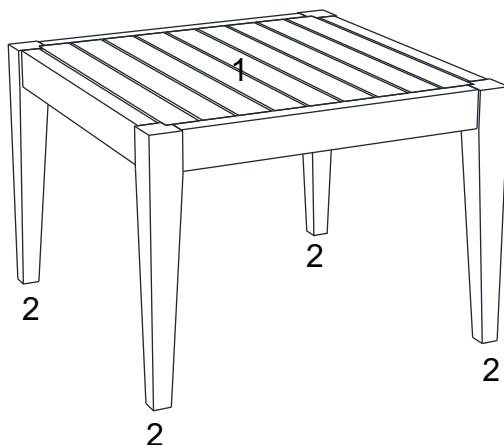


Hardware:

- | | | | |
|---|--|---------|----|
| A |  | Washer | x8 |
| B |  | Nut | x8 |
| C |  | Spanner | x1 |

Component:

- | | |
|--------------|----|
| 1. Top Table | x1 |
| 2. Legs | x4 |

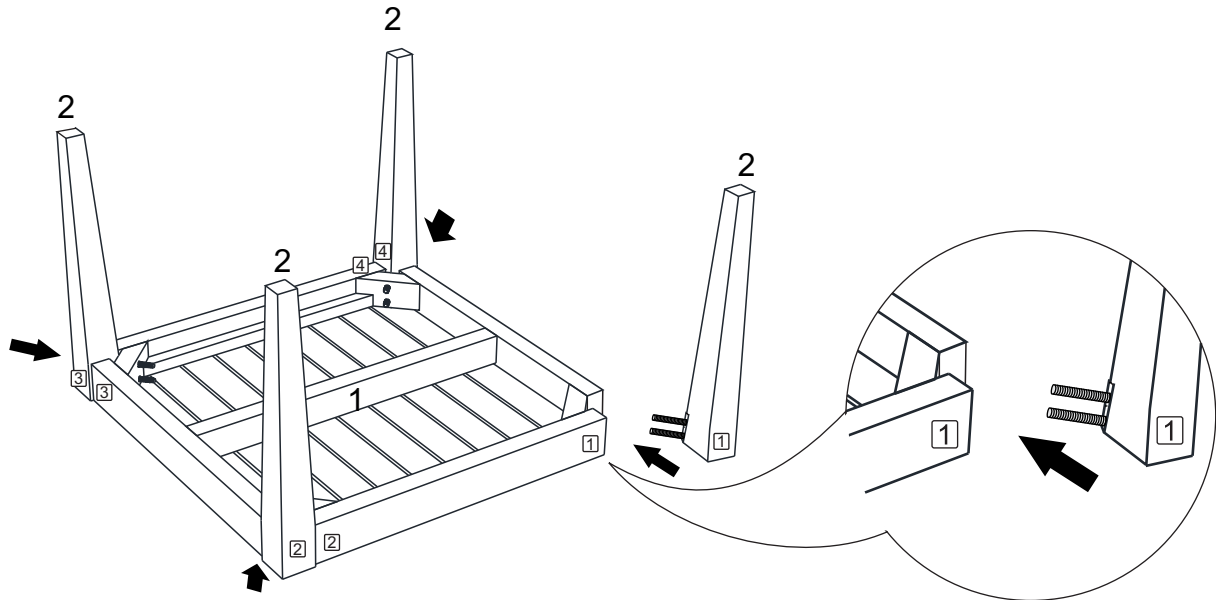


STEP 1:

Please put **Top Table (1)** on a carpeted or padded area.

Insert the tenon on **Legs (2)** into the rabbet on **Top Table (1)**.

Repeat the same steps for the **Legs (2)** on the other 3 legs.

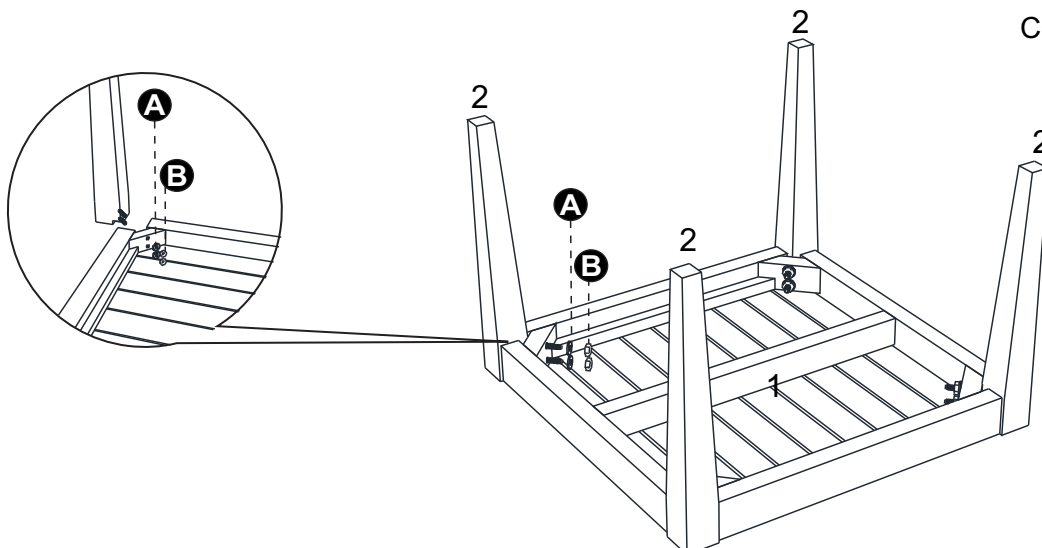
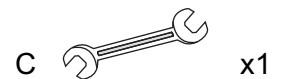


STEP 2:

Insert 2 pieces of **Nut (B)** and **Washer (A)** into the Bolt on **Leg (2)** through the top pre-drilled holes on **Top Table (1)**.

Use the **Spanner (C)** to tighten **Nut (B)** clockwise until secure.

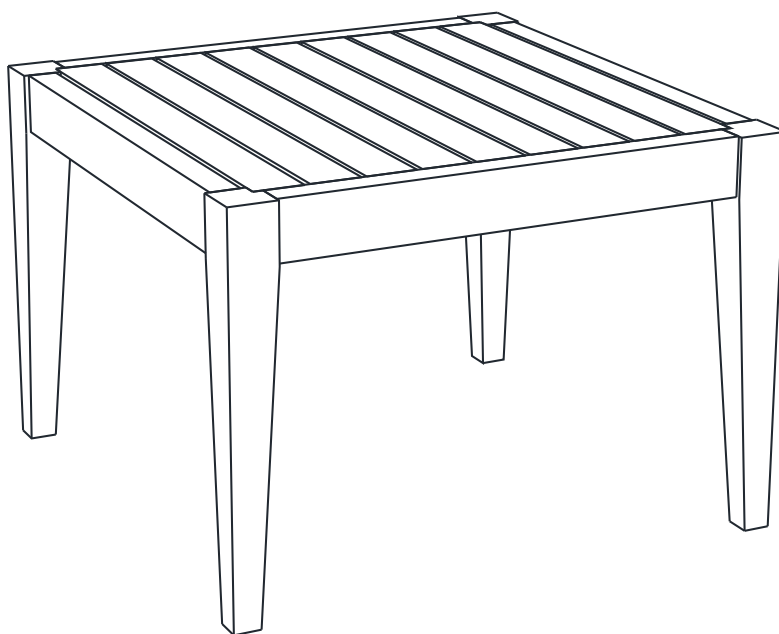
Repeat the same steps for the **Legs (2)** on the other 3 legs.



Hardware & Tool required

STEP 3:

Carefully position the assembled Side Table to the desired location.



Assembly is complete. Your side table is ready to be used now!