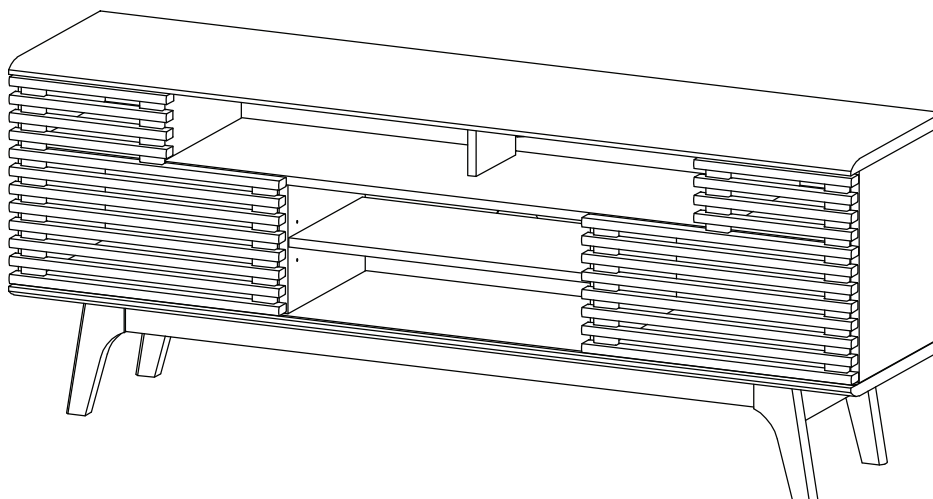


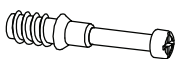


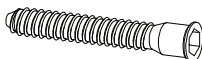

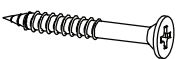
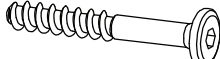




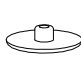
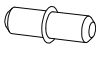


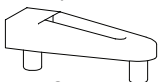
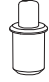

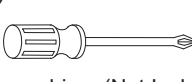
Thank you for purchasing the **MODWAY TV STAND** !

Before you start, here are some helpful advice:

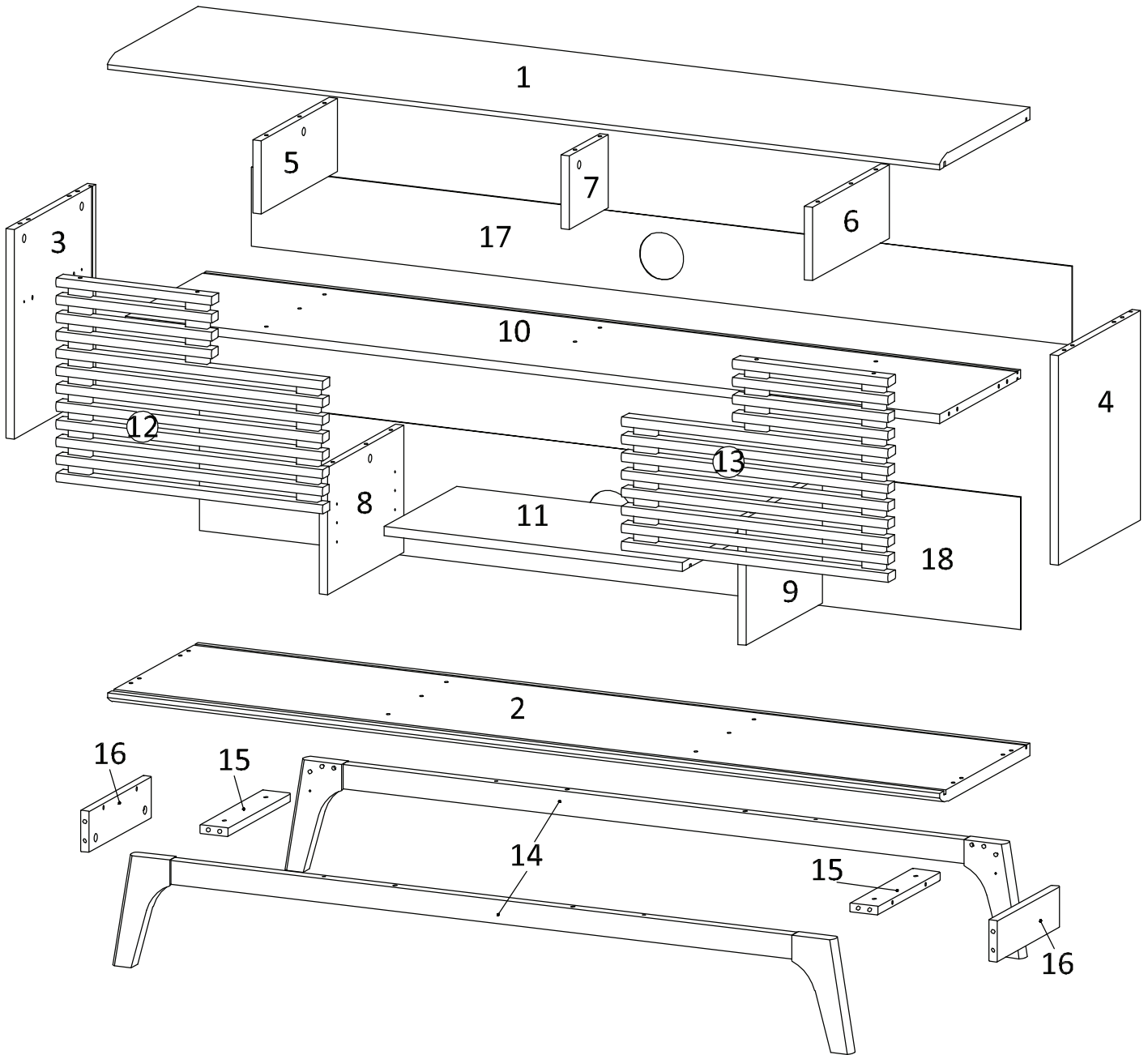
1. We suggest you spend a short time reading through this leaflet and then follow the simple step-by-step instructions.
2. Owing to the size and weight of the TV Stand, we recommend that it is assembled by two adults, on a carpeted or padded area, in the room that it is intended for. Approximate assembly time: 70 minutes.
3. Please do not use any tools other than those provided or recommended in these instructions.
4. Please do not throw away any of the packaging or instructions until you have checked all the components and hardware and the furniture is fully assembled.
5. Assemble all components loosely until advised to tighten. Depending on use, it may be necessary to tighten the components from time to time, so please save the tools that have been provided.
6. Please keep all pieces out of reach of children.



Hardware :

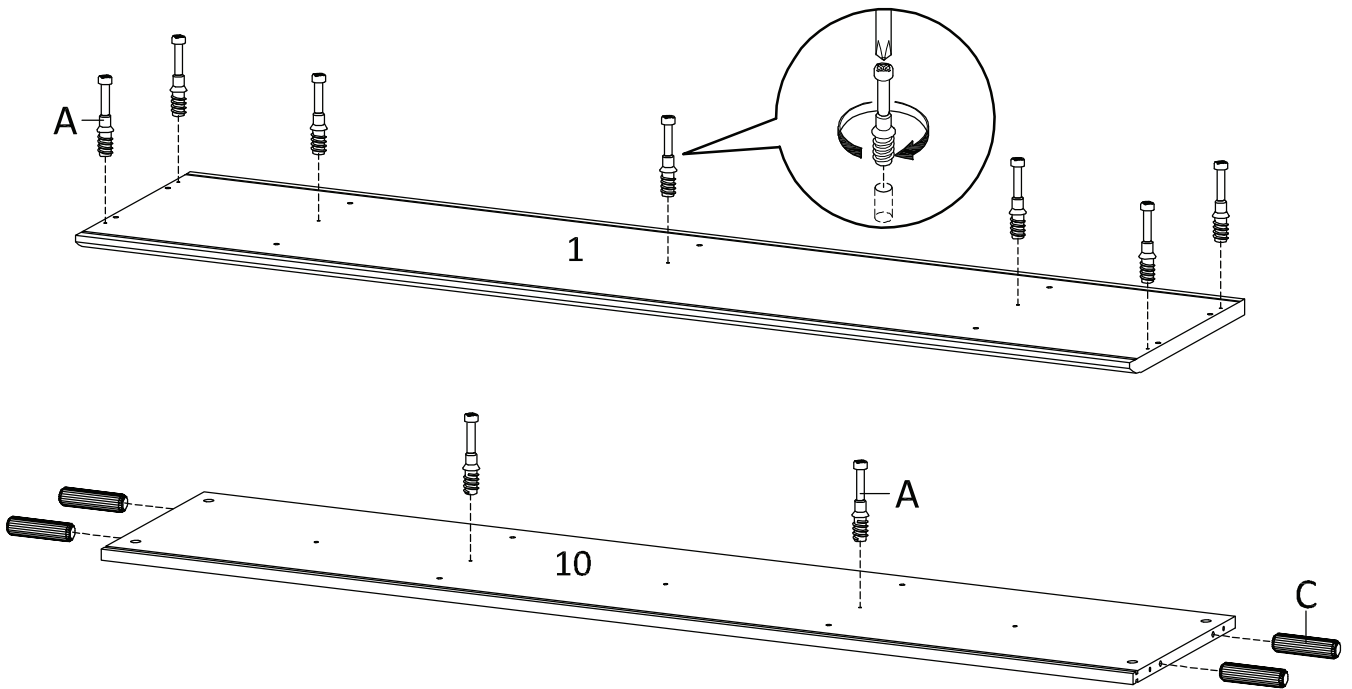
A) Cambolt/Metal  $\varnothing 6 \times 35 \text{ mm}$ x 17	B) CamLock/Metal  $\varnothing 15 \text{ mm}$ x 17	C) Dowel/Wood  $\varnothing 8 \times 30 \text{ mm}$ x 50	D) Screw/Metal  $M 7 \times 50 \text{ mm}$ x 9	E) Hex/Allen Key/Metal  $L 4$ x 1
F) Screw/Metal  $5.5 \times 35 \text{ mm}$ x 4	G) Screw/Metal  $M 6.4 \times 53 \text{ mm}$ x 4	H) Floor Protector/Sponge/Felt  $25 \times 25 \times 2 \text{ mm}$ x 4	I) Buffer/Rubber  $\varnothing 8 \text{ mm}$ x 1	J) Screw/Metal  $M 6 \times 12.5 \text{ mm}$ x 14
K) Anti-Deflection Bar/Metal  1200 mm x 1	L) Screw Cup/Plastic  $\varnothing 15 \text{ mm}$ x 9	M) Shelf Pin/Metal  $\varnothing 5 \times 15 \text{ mm}$ x 4	N) Wedge/Plastic  $9 \times 14 \times 10 \text{ mm}$ x 18	O) Screw/Metal  $M 3.5 \times 15.5 \text{ mm}$ x 18
P) Stoper/Plastic  $42 \times 14 \times 8 \text{ mm}$ x 2	Q) Pin Sliding Top/Plastic  $\varnothing 8 \times 19 \text{ mm}$ x 4	R) Pin Sliding Bottom/Plastic  $\varnothing 8 \times 16 \text{ mm}$ x 4	S) Screwdriver (Not Include)  x 1	

Components:



1	Top Board	x1	2	Bottom Board	x1	3	Side Board Left	x1	4	Side Board Right	x1
5	Center Board 1	x1	6	Center Board 2	x1	7	Center Board 3	x1	8	Center Board 4	x1
9	Center Board 5	x1	10	Fixed Shelf	x1	11	Adjustable Shelf	x1	12	Frame Door Left	x1
13	Frame Door Right	x1	14	Assembly Leg	x2	15	Support 1	x2	16	Support 2	x2
17	Back Board 1	x1	18	Back Board 2	x1						

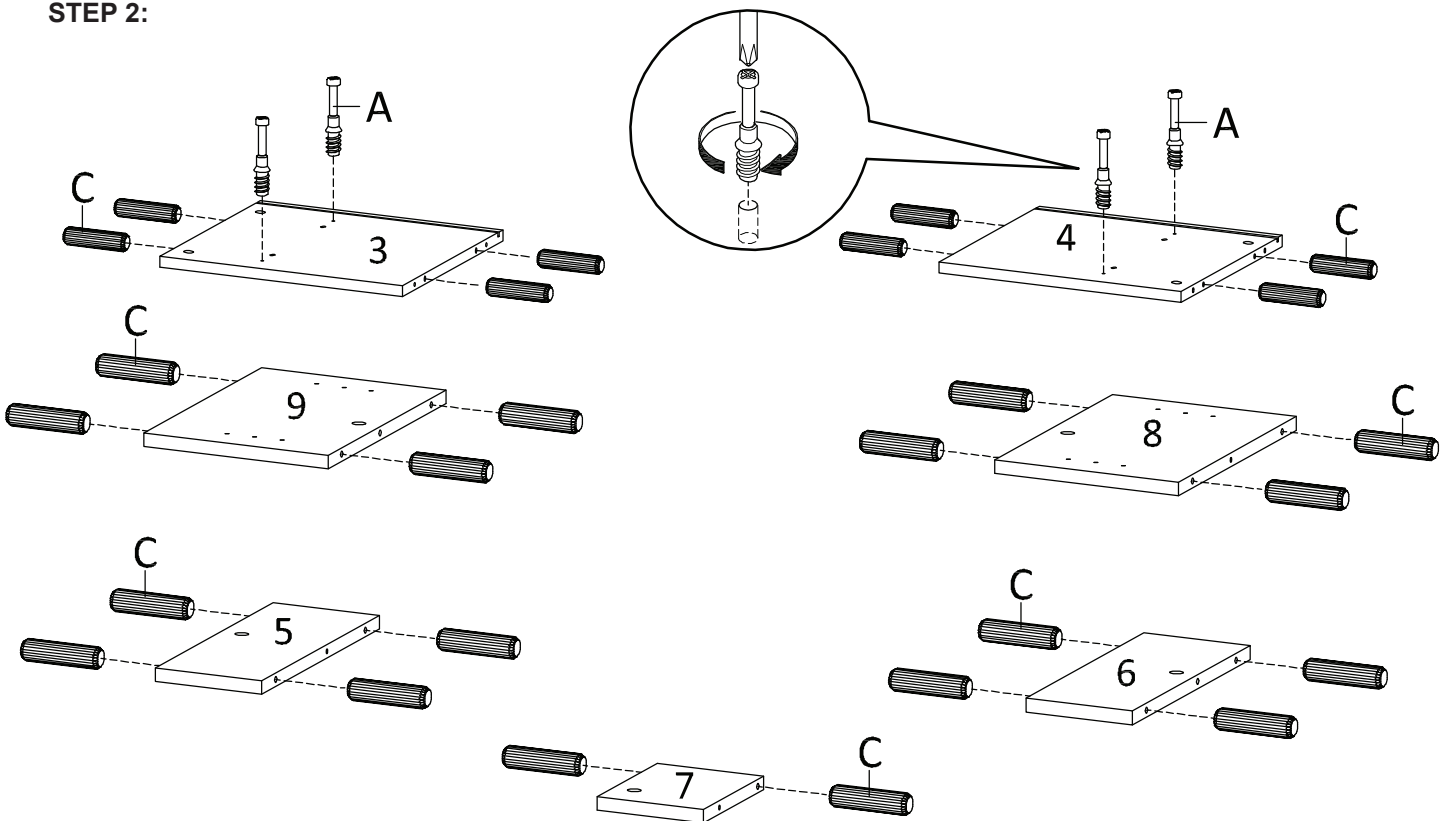
STEP 1:



Ax9	Cx4	Sx1

Hardware required.
Screwdriver not included

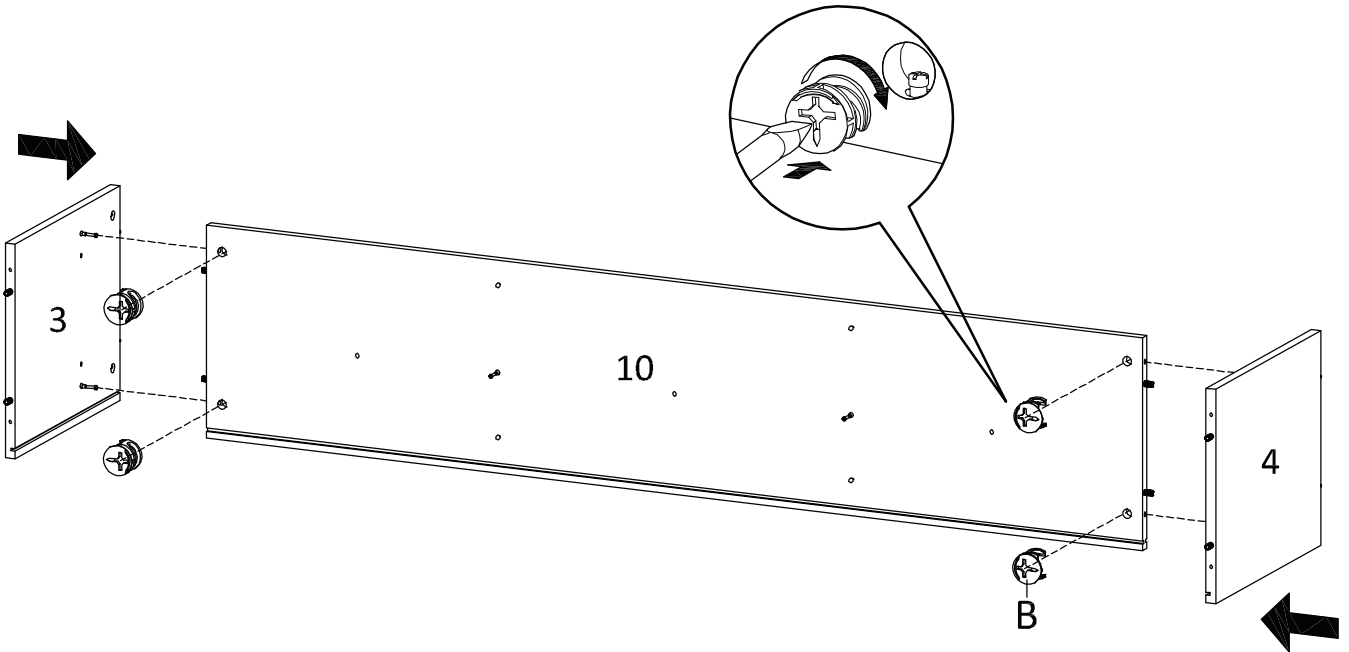
STEP 2:



Ax4	Cx26	Sx1

Hardware required.
Screwdriver not included

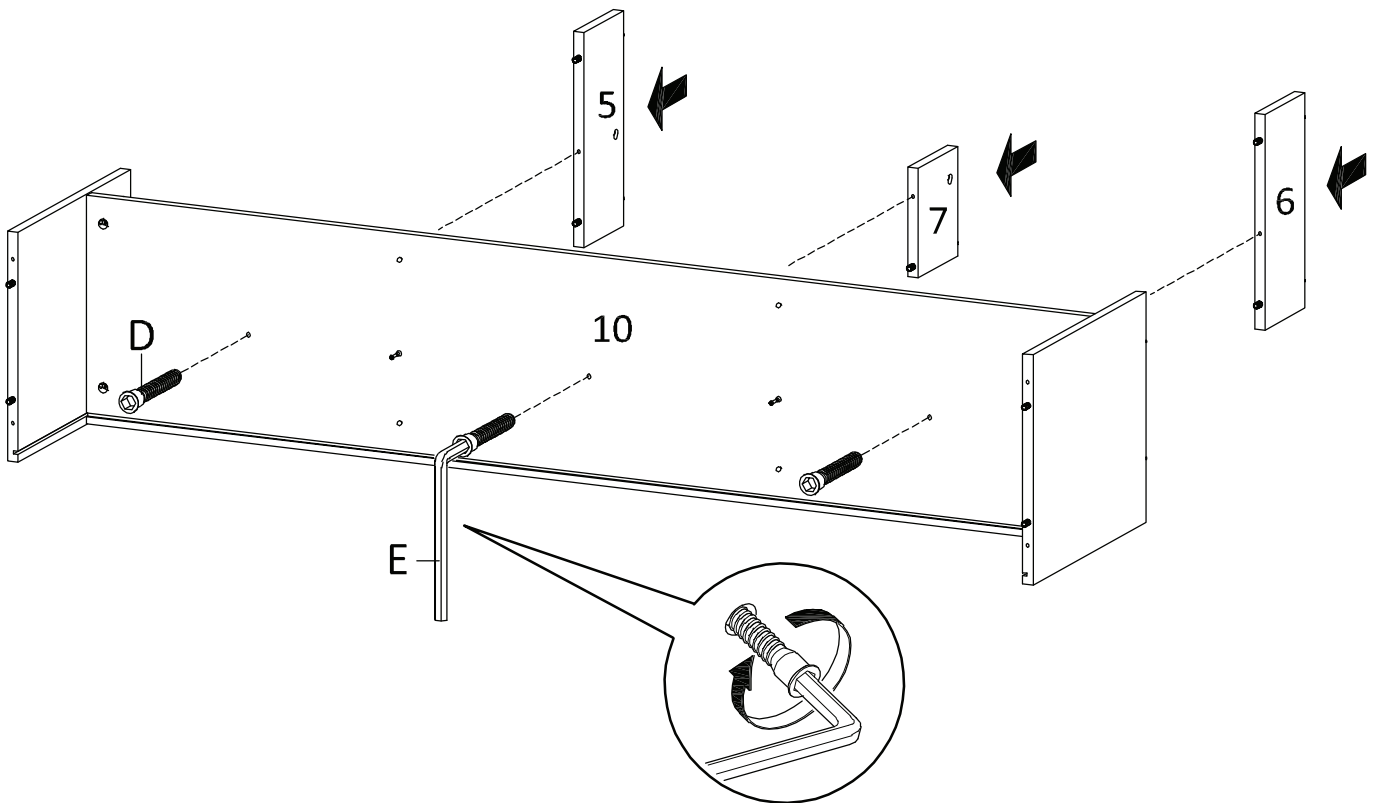
STEP 3:



Bx4	Sx1

Hardware required.

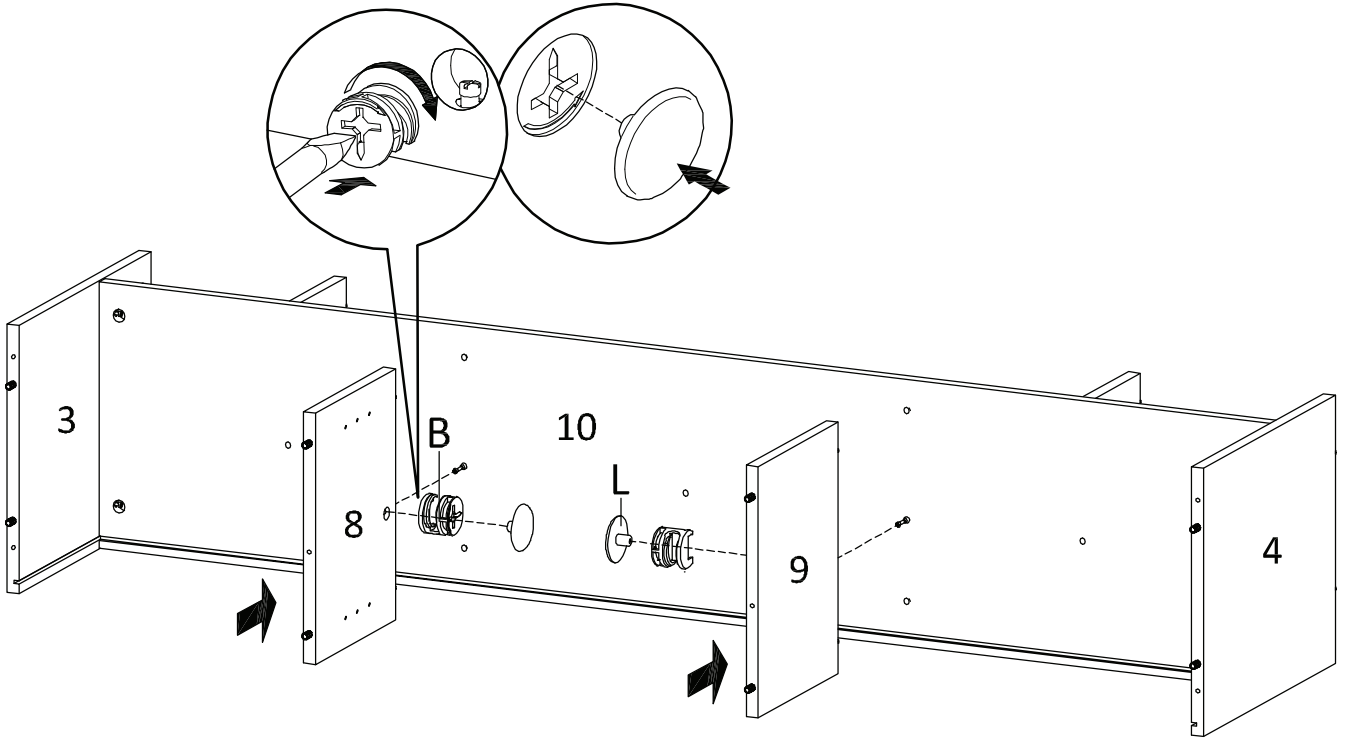
STEP 4:



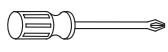


Dx3	Ex1

Hardware required.

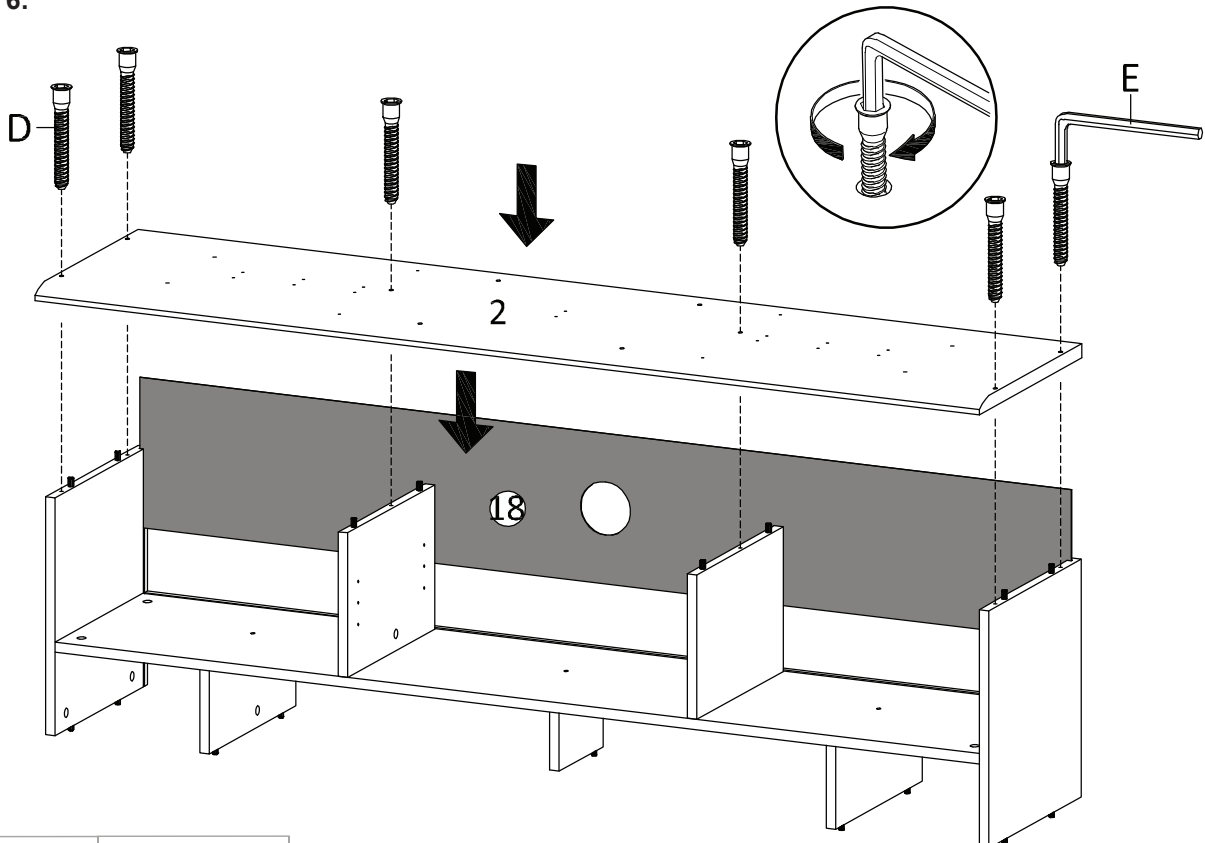
STEP 5:





		
Bx2	Lx2	Sx1

Hardware required.
Screwdriver not included

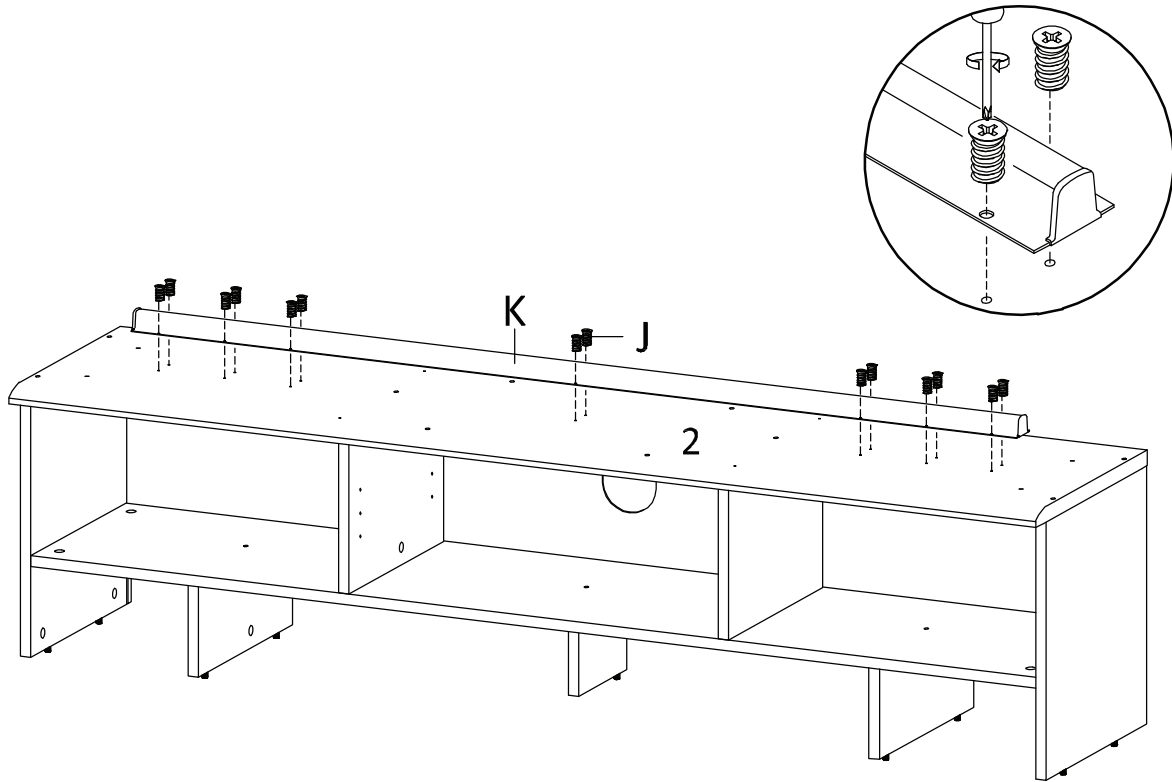
STEP 6:



	
Dx6	E

Hardware required.

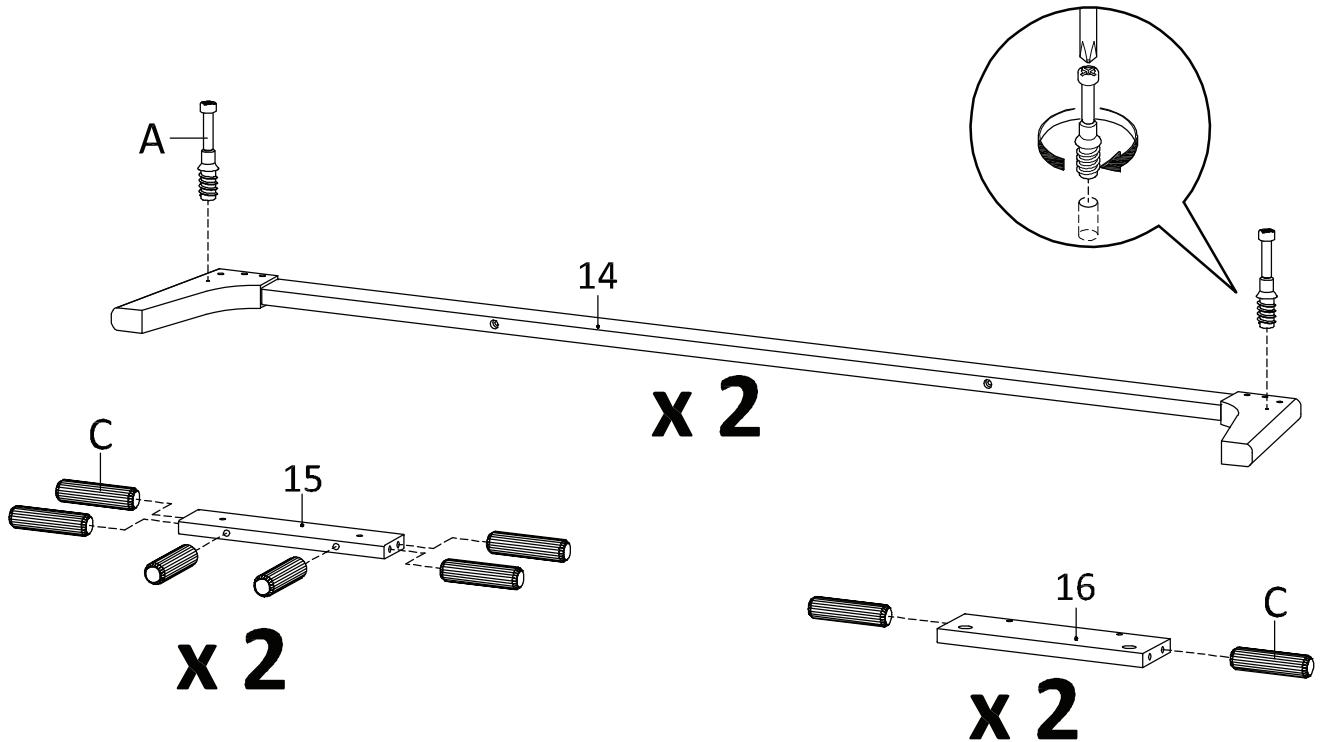
STEP 7:



Jx14	Kx1	Sx1

Hardware required.
Screwdriver not included

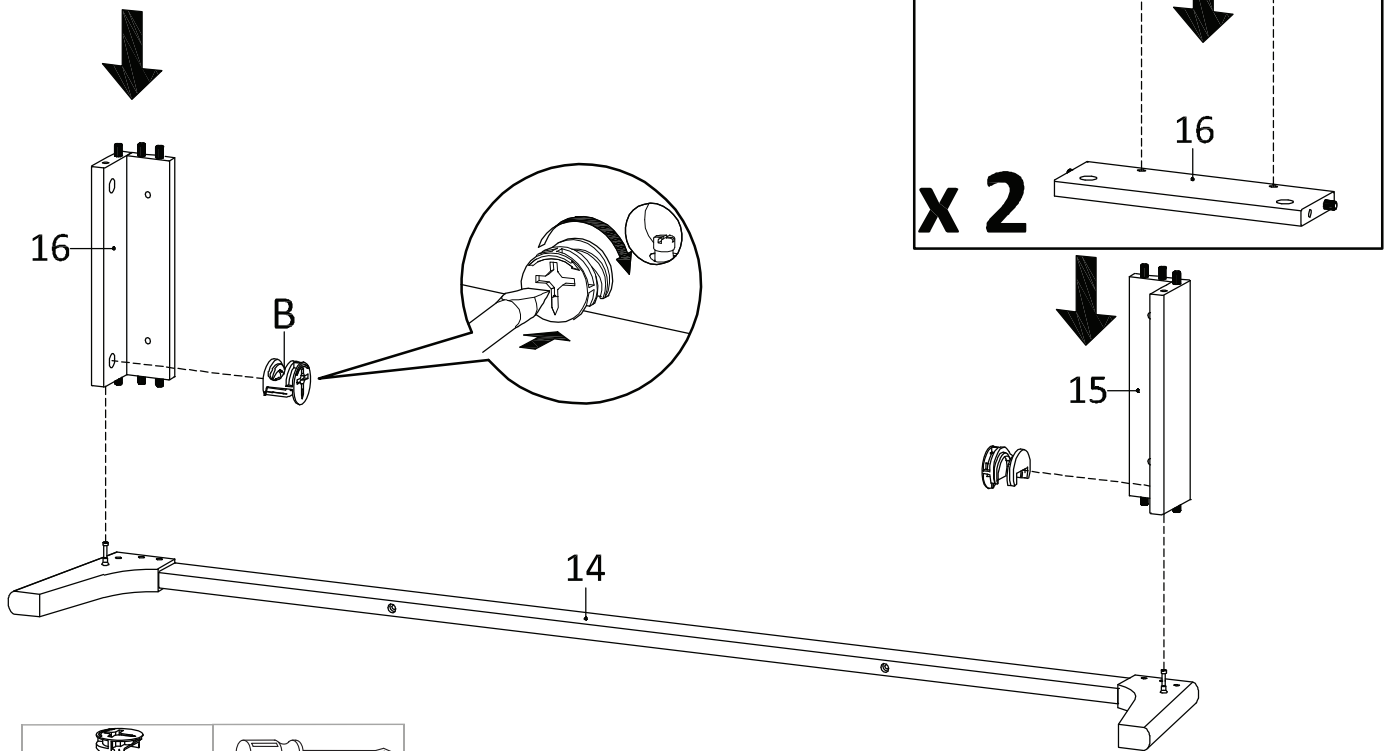
STEP 8:


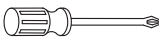


Ax4	Cx16	Sx1

Hardware required.
Screwdriver not included

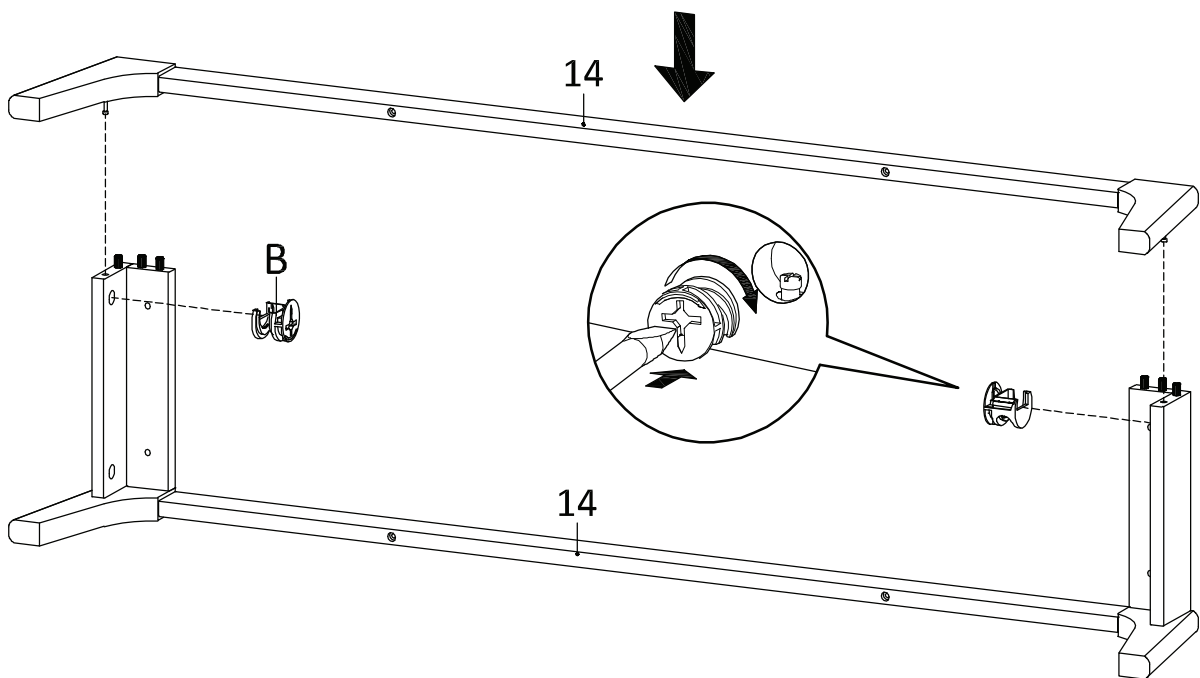
STEP 9:


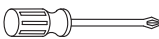


	
Bx2	Sx1

Hardware required.
Screwdriver not included

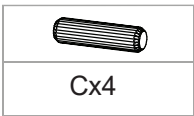
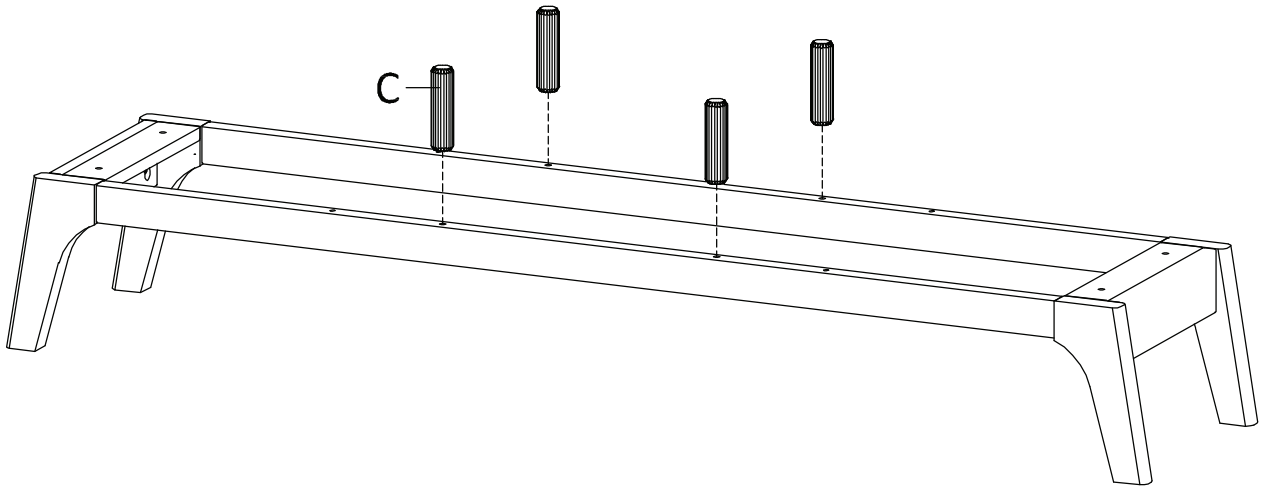
STEP 10:



	
Bx2	Sx1

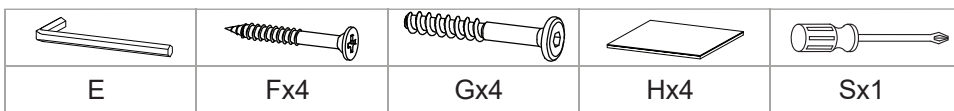
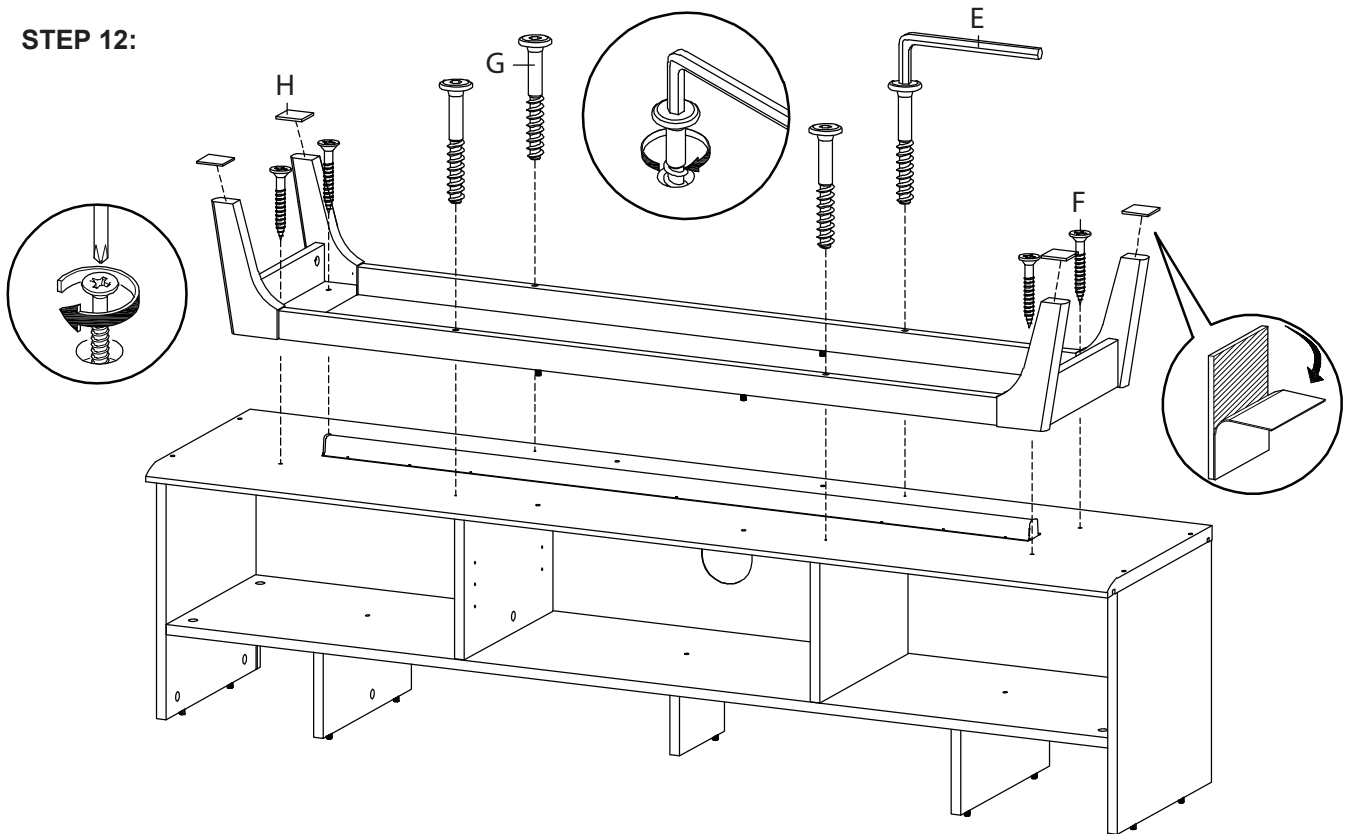
Hardware required.
Screwdriver not included

STEP 11:



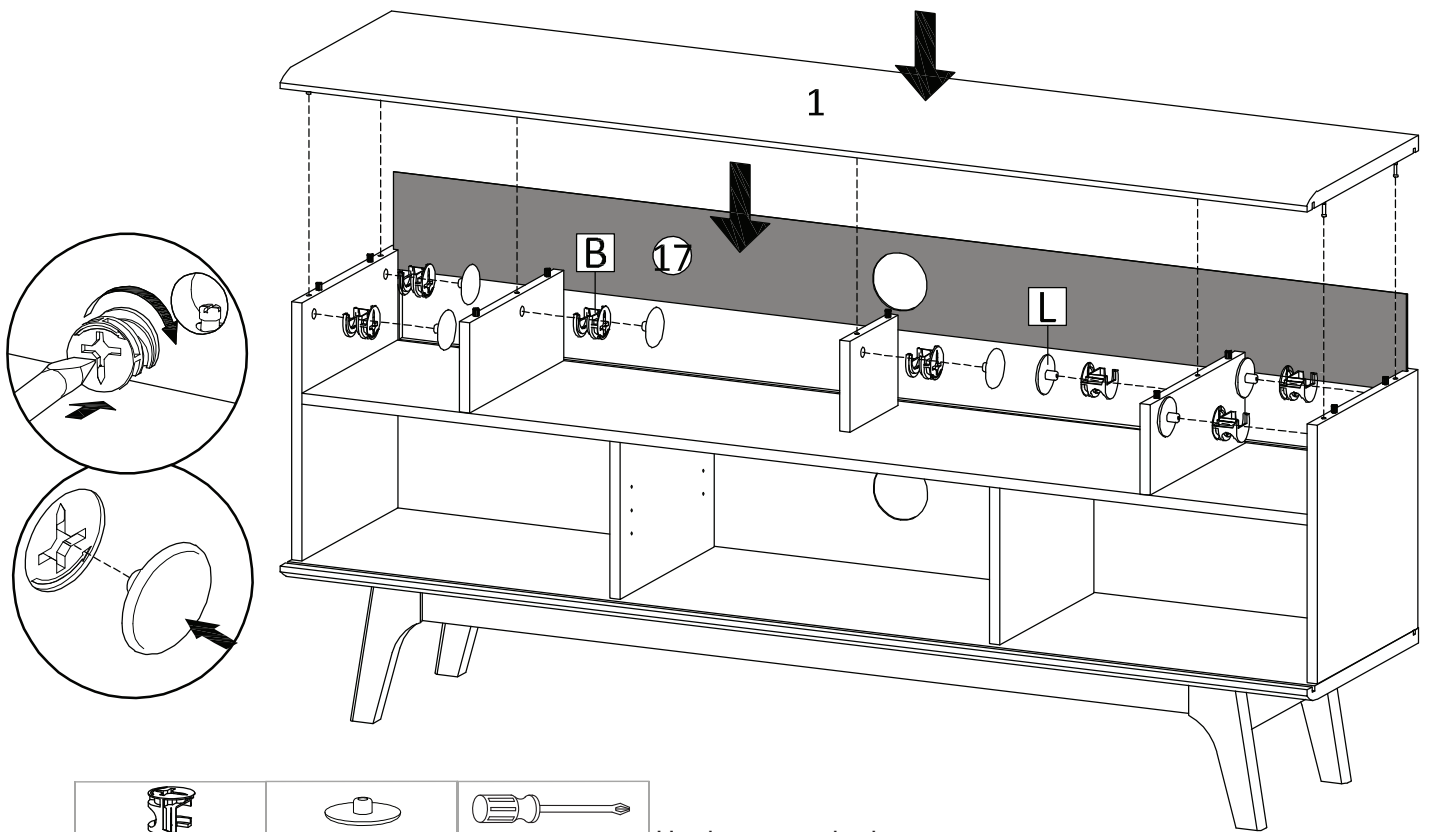
Hardware required.



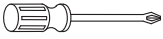
STEP 12:



Hardware required.
Screwdriver not included

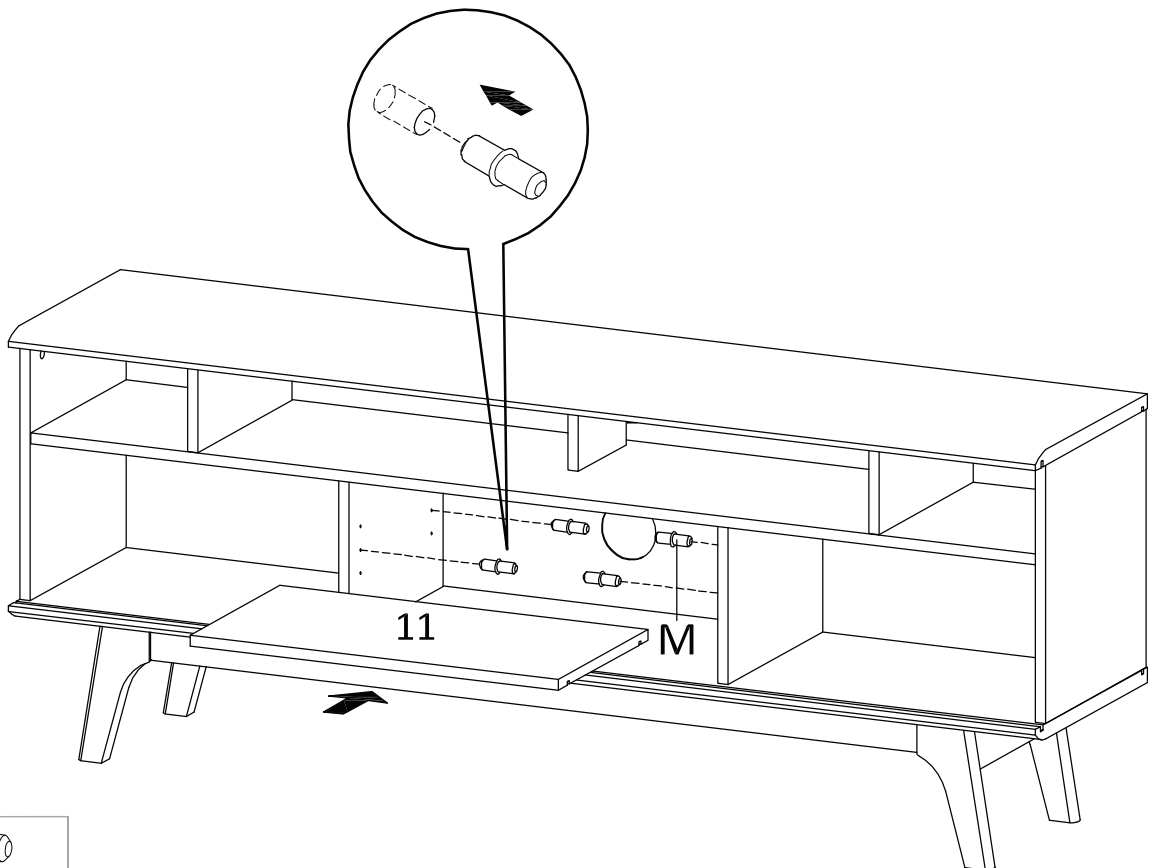
STEP 13:

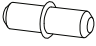


		
Bx7	Lx7	Sx1

Hardware required.
Screwdriver not included

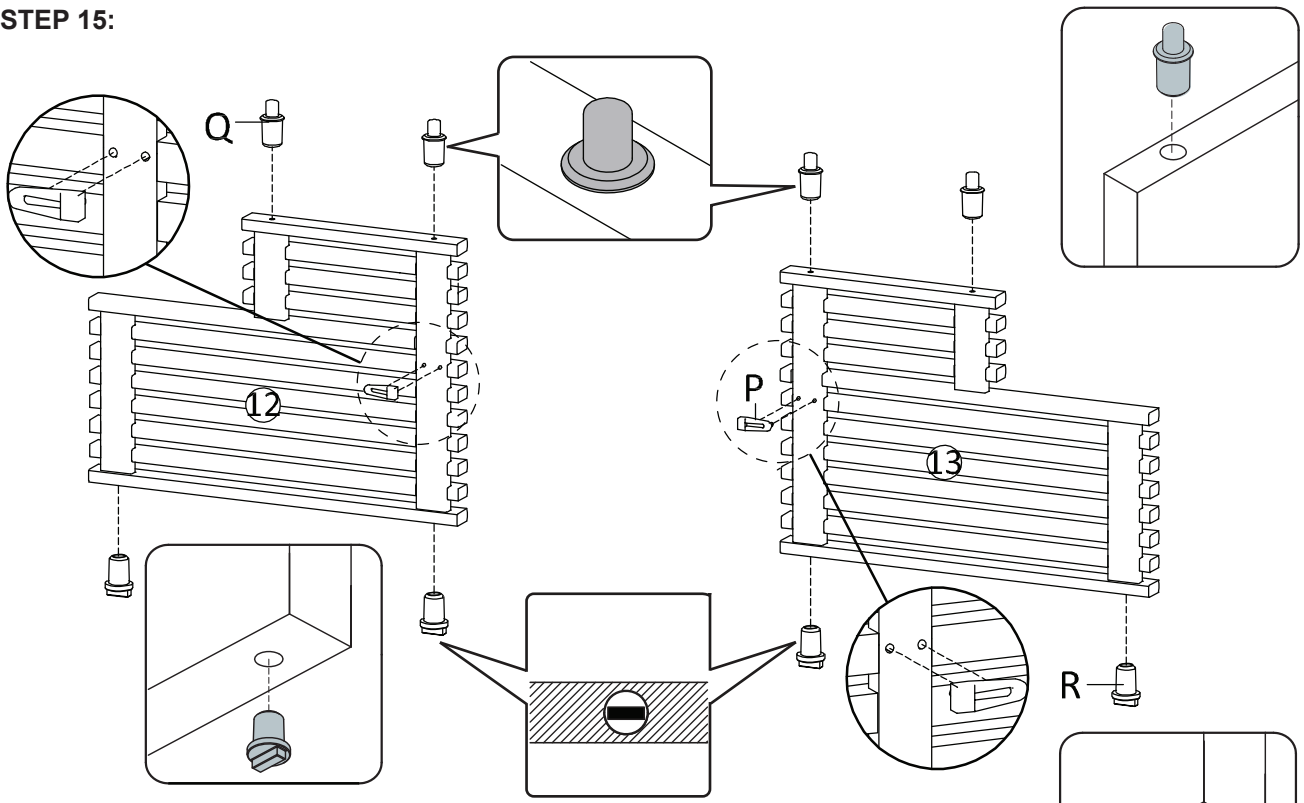
STEP 14:

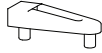





Mx4

Hardware required.

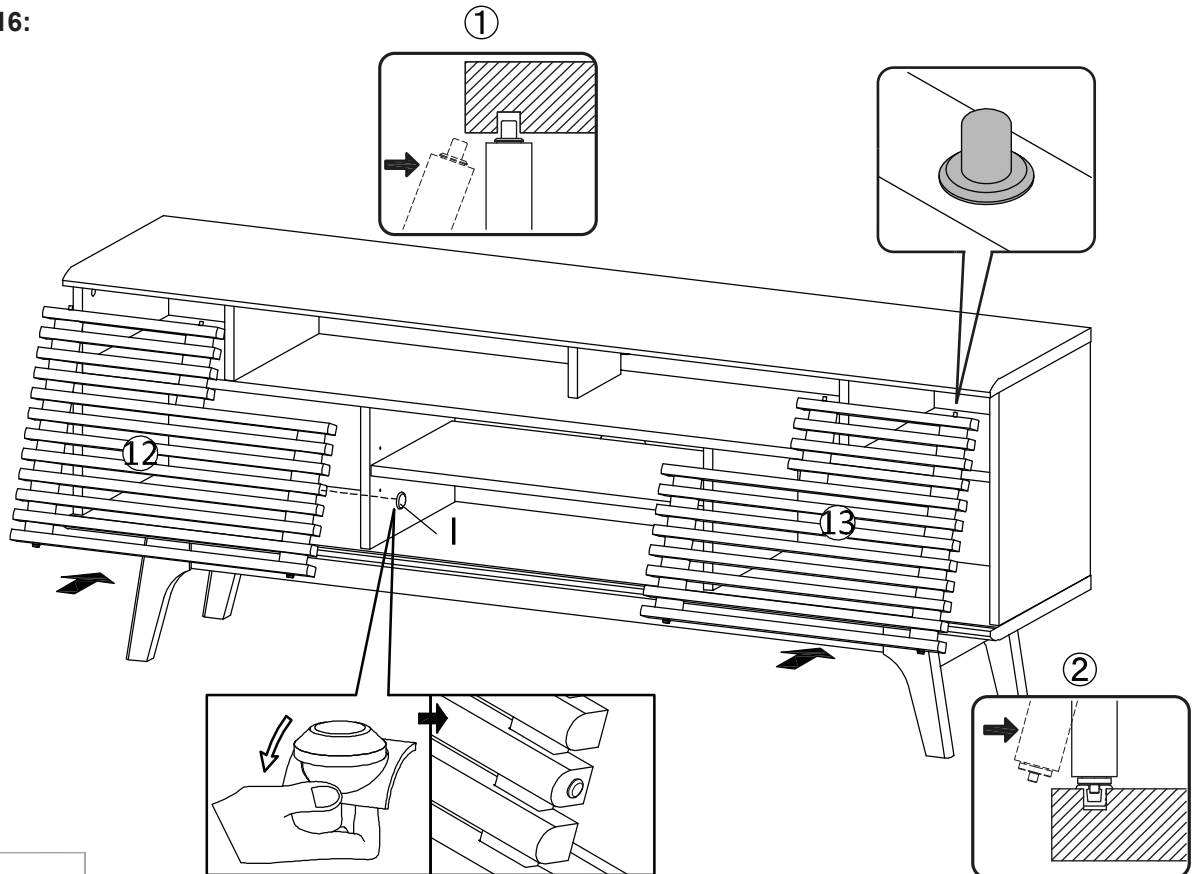
STEP 15:




		
Px2	Qx4	Rx4

Hardware required.

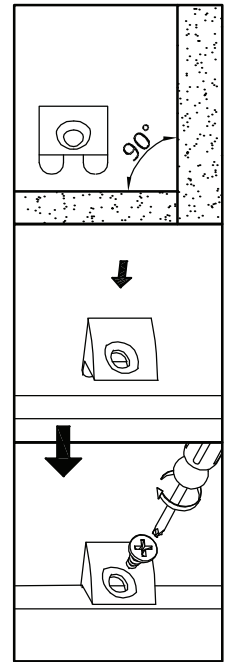
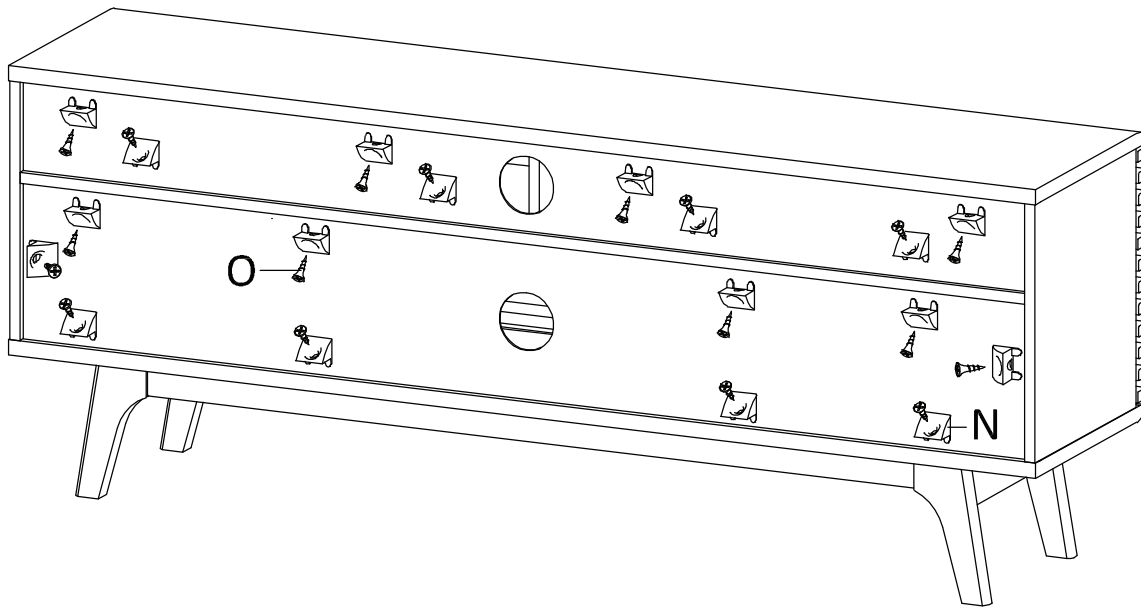
STEP 16:



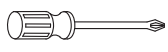



Ix1

Hardware required.

STEP 17:



		
Nx18	Ox18	Sx1

Hardware required.
Screwdriver not included

STEP 18:

