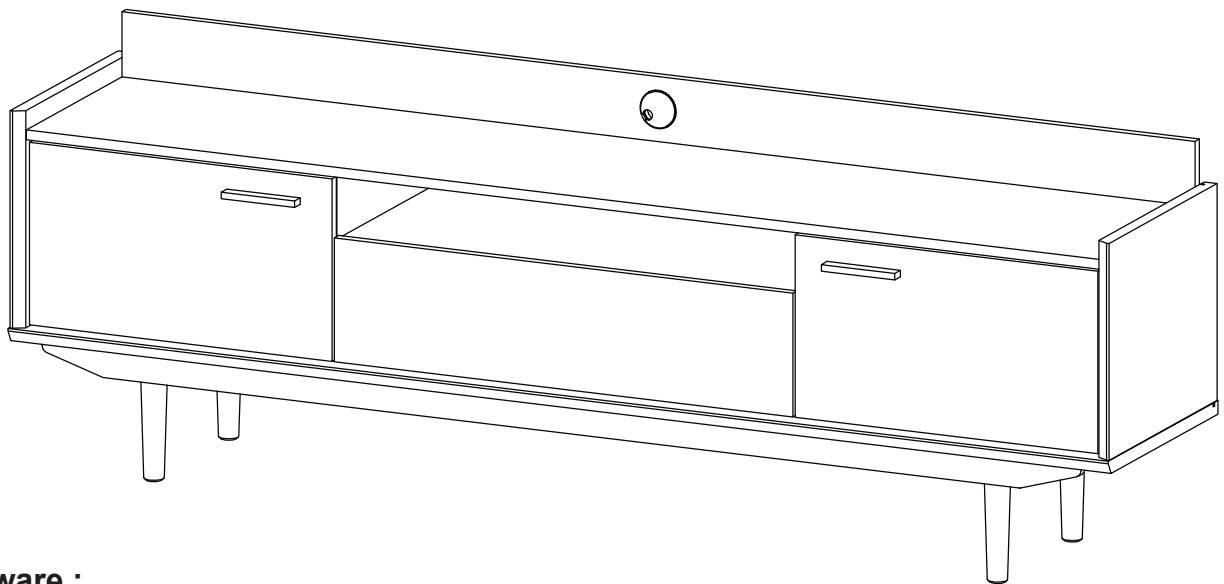


Thank you for purchasing the **MODWAY TV STAND !**

Before you start, here are some helpful advice:

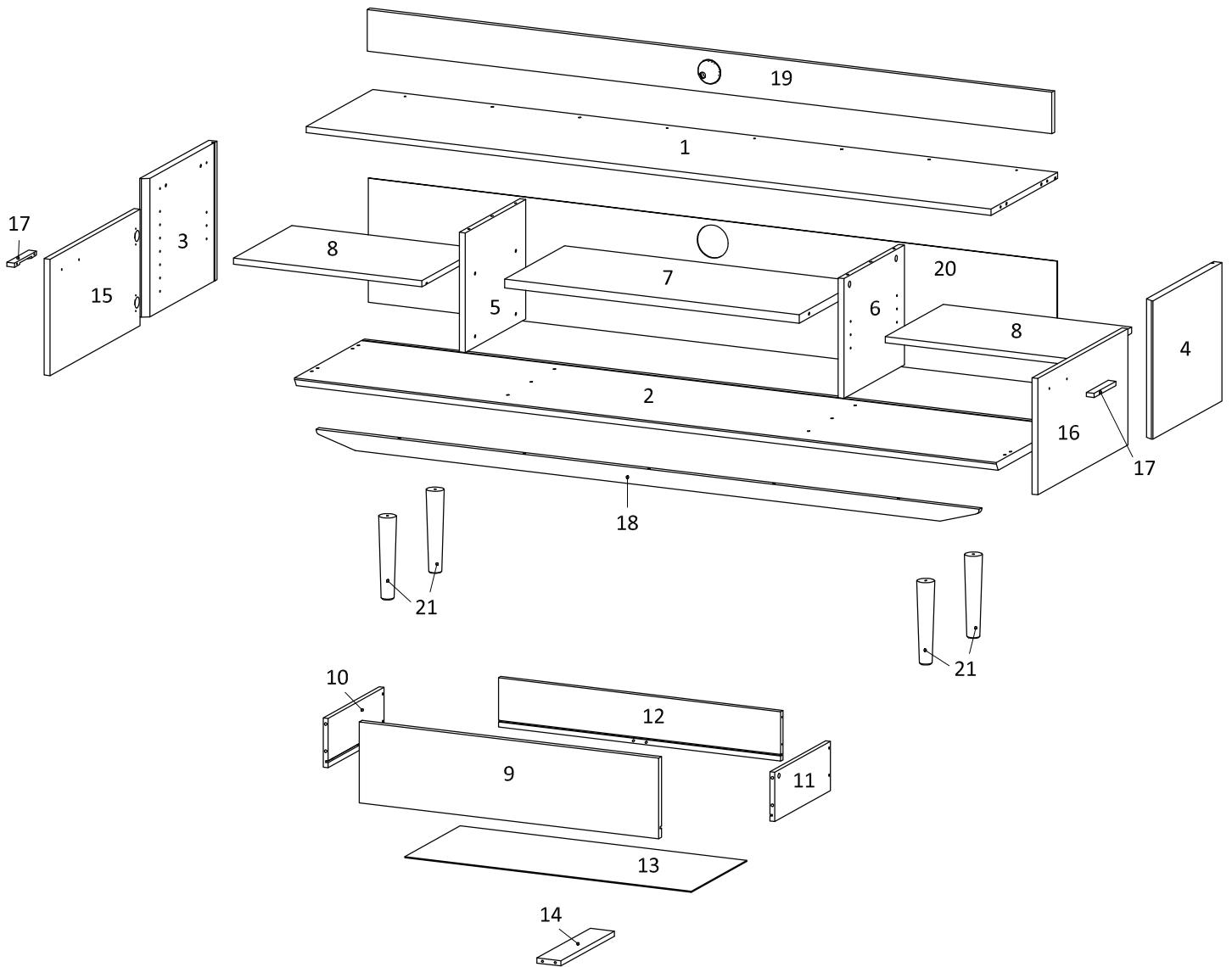
1. We suggest you spend a short time reading through this leaflet and then follow the simple step-by-step instructions.
2. Owing to the size and weight of the TV Stand, we recommend that it is assembled by two adults, on a carpeted or padded area, in the room that it is intended for. Approximate assembly time: 60 minutes.
3. Please do not use any tools other than those provided or recommended in these instructions.
4. Please do not throw away any of the packaging or instructions until you have checked all the components and hardware and the furniture is fully assembled.
5. Assemble all components loosely until advised to tighten. Depending on use, it may be necessary to tighten the components from time to time, so please save the tools that have been provided.
6. Please keep all pieces out of reach of children.



Hardware :

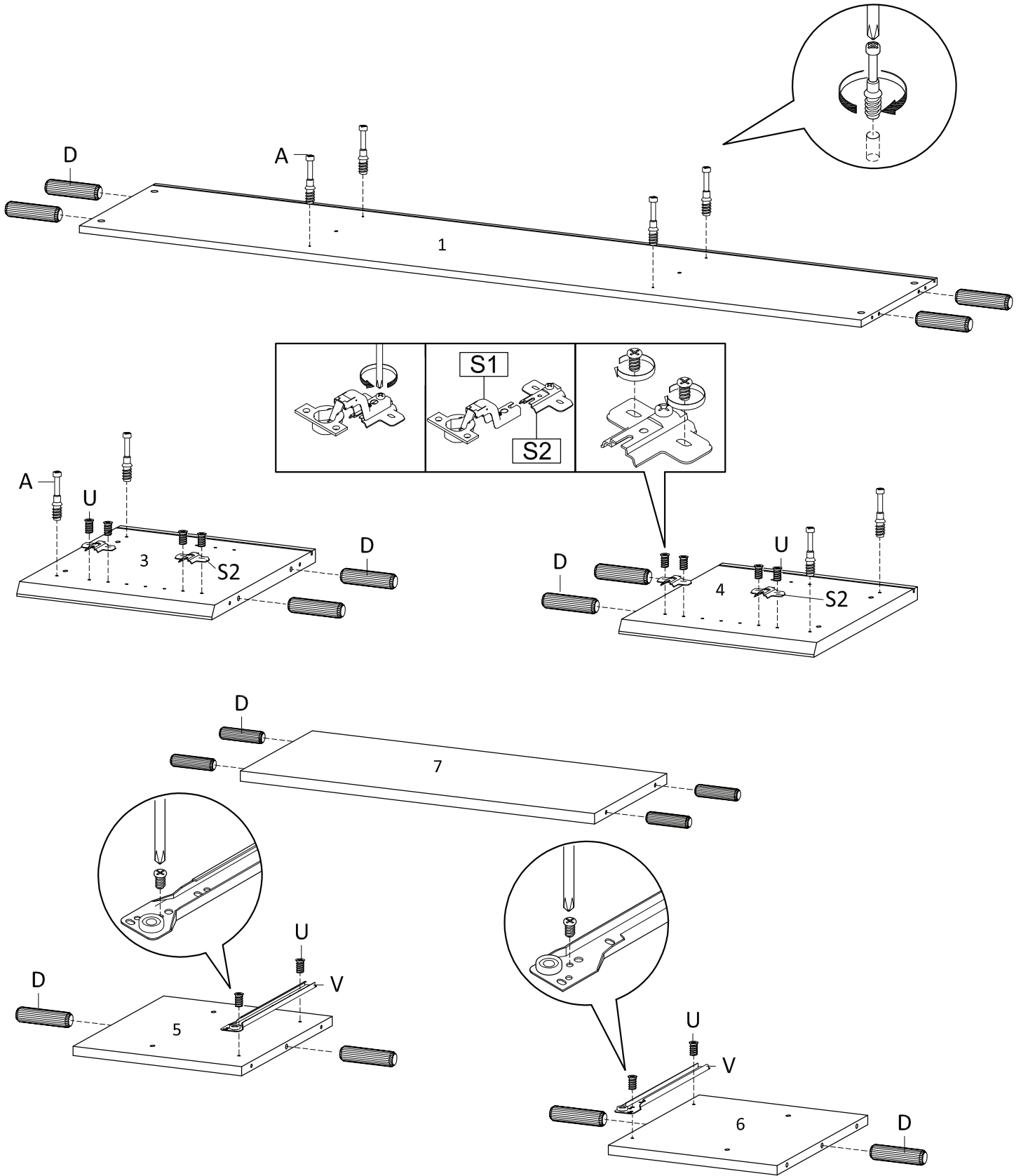
A) Cambolt/Metal \varnothing 6 x 35 mm x 17	B) CamLock Big/Metal \varnothing 15 mm x 15	C) CamLock Small/Metal \varnothing 12 mm x 2	D) Dowel Big/Wood \varnothing 8 x 30 mm x 20	E) Dowel Small/Wood \varnothing 6 x 30 mm x 6
F) Screw/Metal M 7 x 50 mm x 8	G) Key/Metal L 4 x 1	H) Shelf Pin/Metal \varnothing 5 x 15 mm x 8	I) Screw/Metal M 3.5 x 22 mm x 4	J) Screw/Metal M 4 x 19 mm x 16
K) Screw Cup/Plastic \varnothing 15 mm x 4	L) Buffer/Rubber \varnothing 8 mm x 4	M) Screw/Metal M 8 x 39 mm x 4	N) Plat Mitres/Metal 80 x 65 mm x 4	O) Wedge/Plastic 9 x 14 x 10 mm x 10
P) Screw/Metal M 3.5 x 15.5 mm x 10	Q) Iron Hollow/Metal 1450 x 20 x 20 mm x 1	R) Screw/Metal M 12 x 35 mm x 5	S) Hinge/Metal 84 x 51 x 29 mm x 4	T) Screw/Metal M 3.5 x 13 mm x 14
U) Screw/Metal M 6.5 x 10.5 mm x 12	V) 300 mm x 1	W) Screwdriver (Not Include)		

Components:



1	Top Board	x1	2	Bottom Board	x1	3	Side Board Left	x1	4	Side Board Right	x1
5	Centre Board Left	x1	6	Centre Board Right	x1	7	Fixed Shelf	x1	8	Adjustable Shelf	x2
9	Front Drawer	x1	10	Side Drawer Left	x1	11	Side Drawer Right	x1	12	Back Drawer	x1
13	Bottom Drawer	x1	14	Support Drawer	x1	15	Wooden Door Left	x1	16	Wooden Door Right	x1
17	Handle	x2	18	Front Skirt	x1	19	Support Board	x1	20	Back Board	x1
21	Leg	x4									

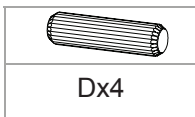
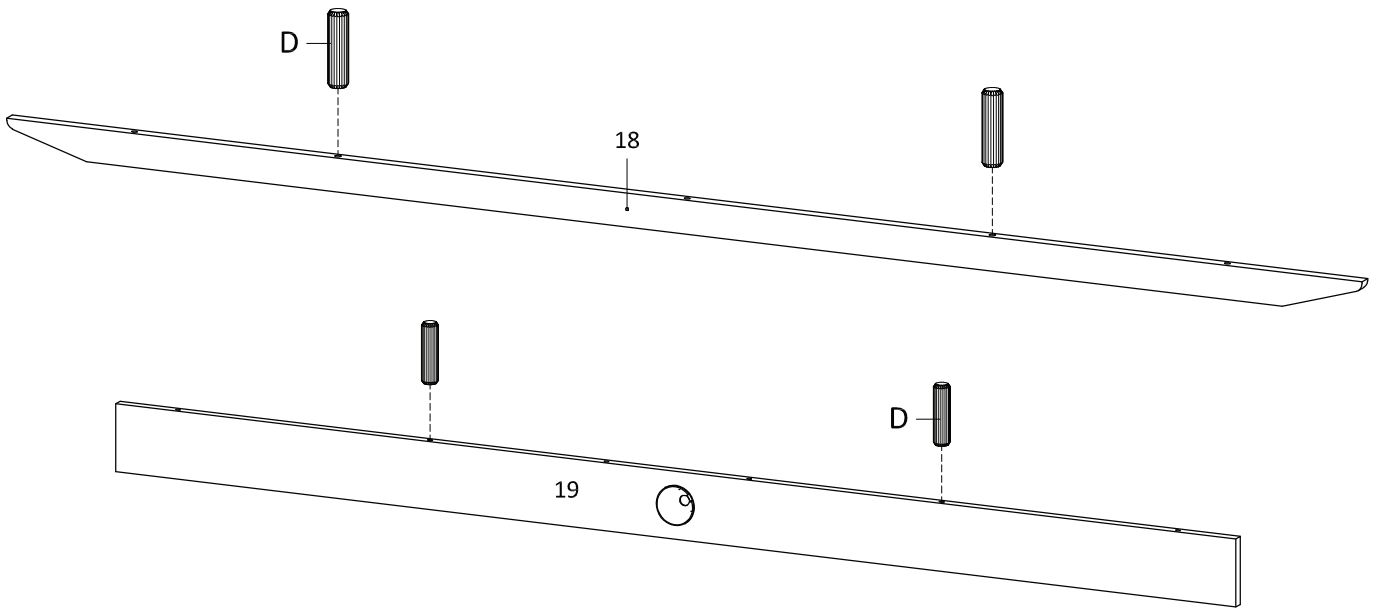
STEP 1:



Hardware required.
Screwdriver not included

					
Ax8	Dx16	Sx4	Ux12	Vx1	Wx1

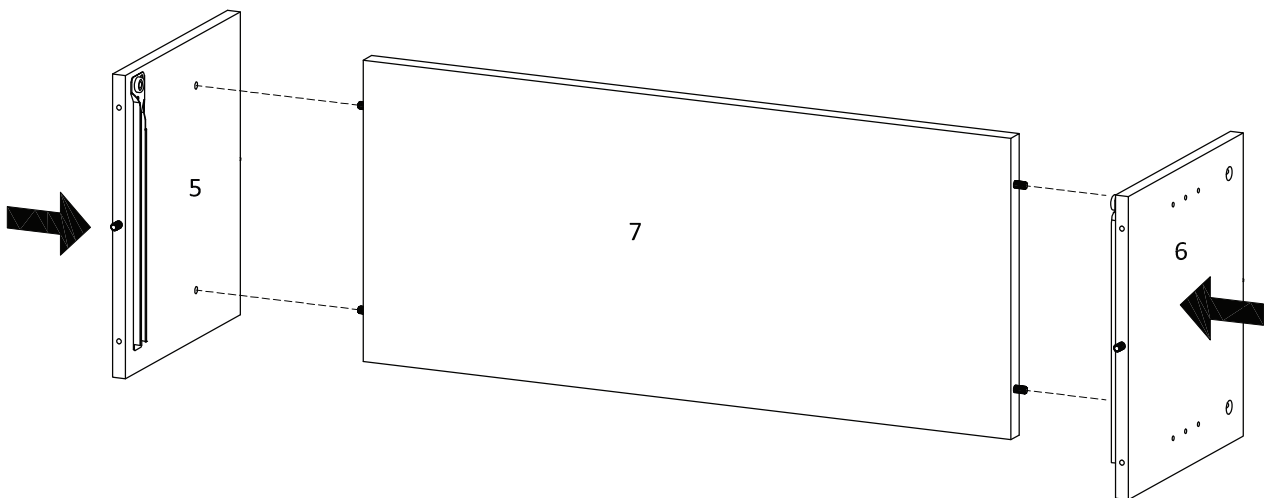
STEP 2:



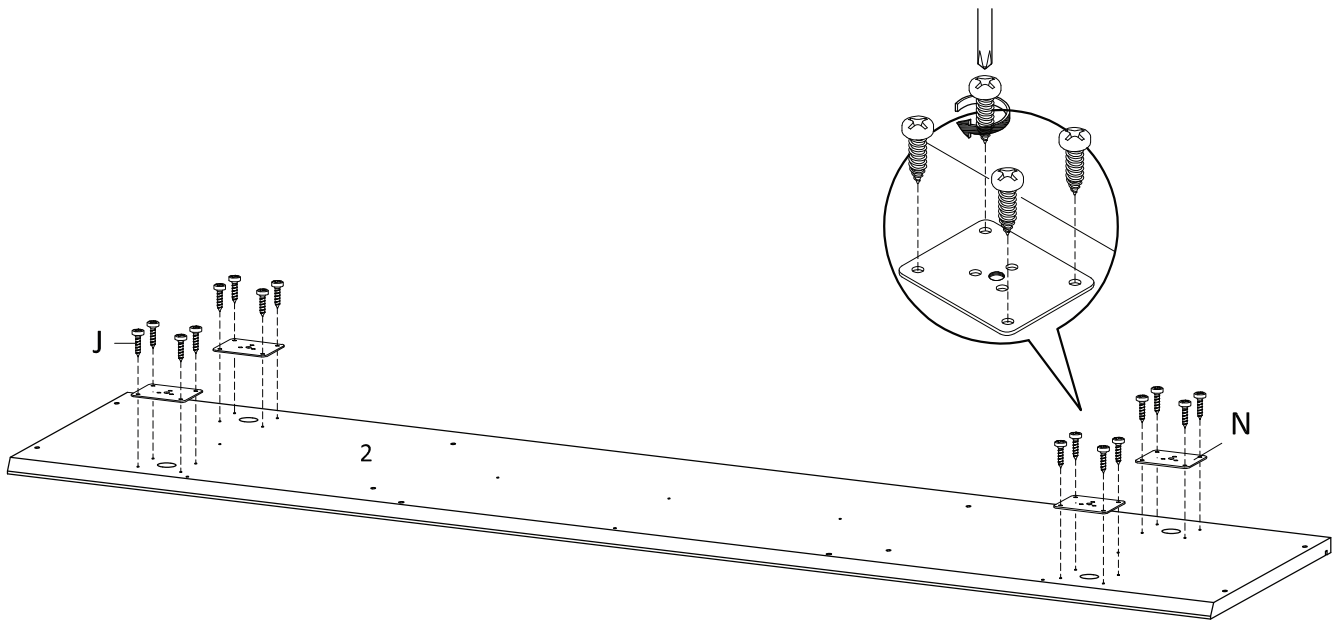
Dx4

Hardware required.

STEP 3:



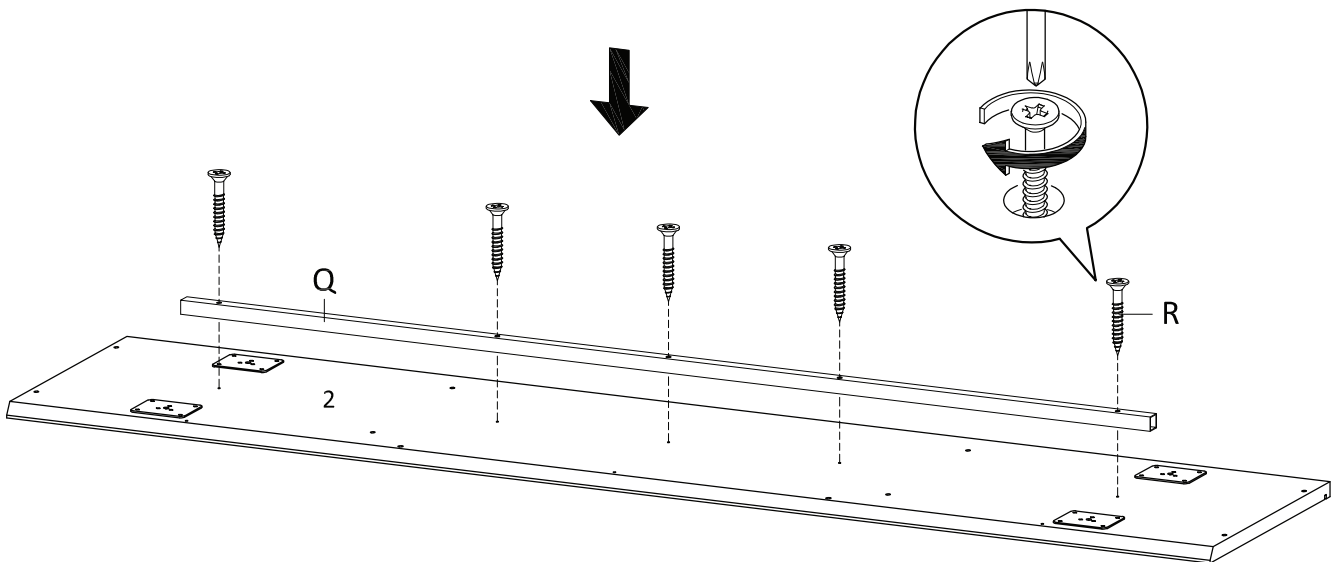
STEP 4:



Jx16	Nx4	Wx1

Hardware required.
Screwdriver not included

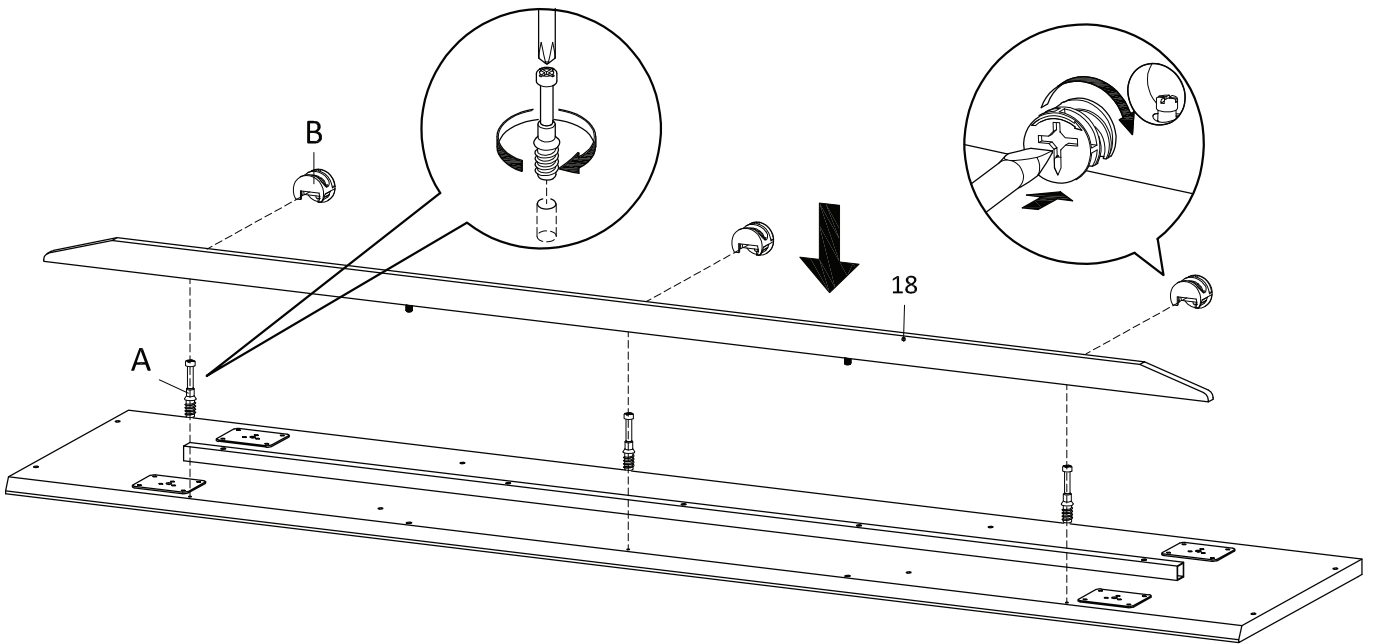
STEP 5:

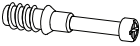

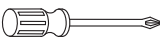


Qx1	Rx5	Wx1

Hardware required.
Screwdriver not included

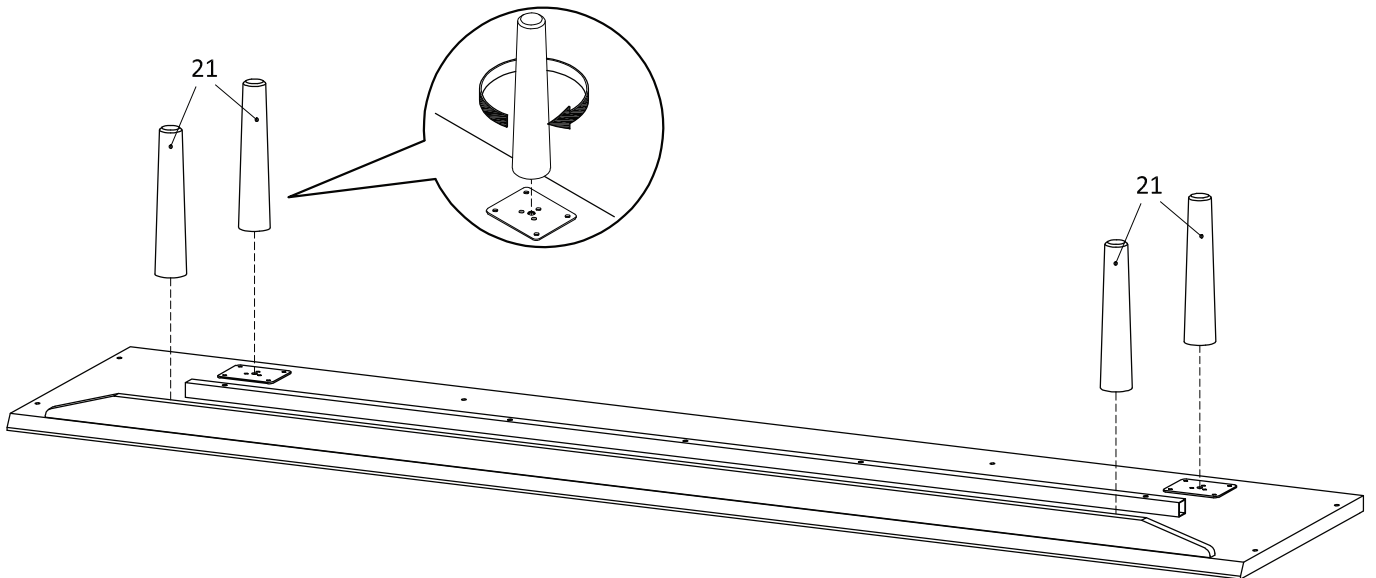
STEP 6:



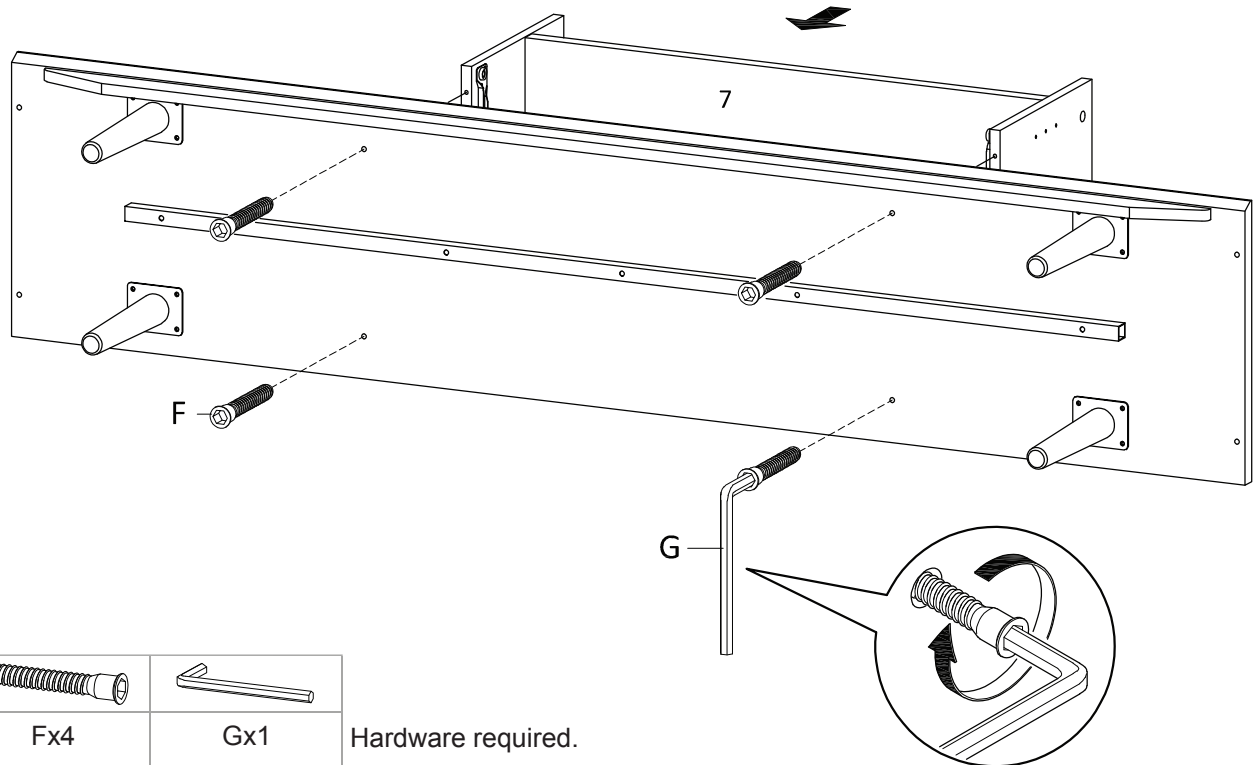
		
Ax3	Bx3	Wx1

Hardware required.
Screwdriver not included

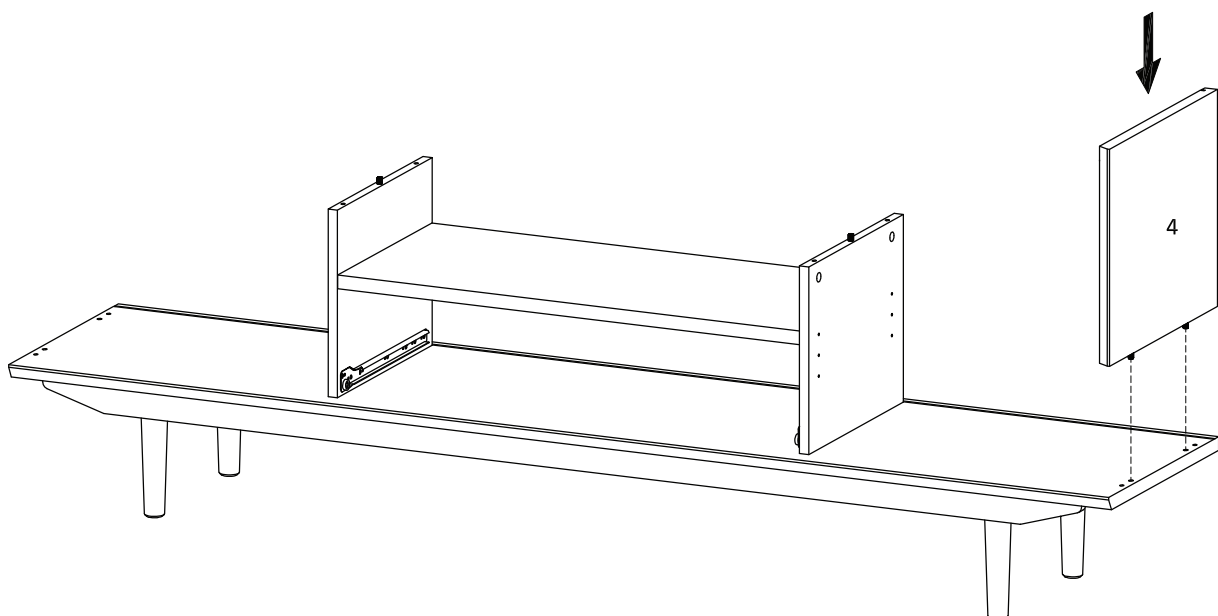
STEP 7:



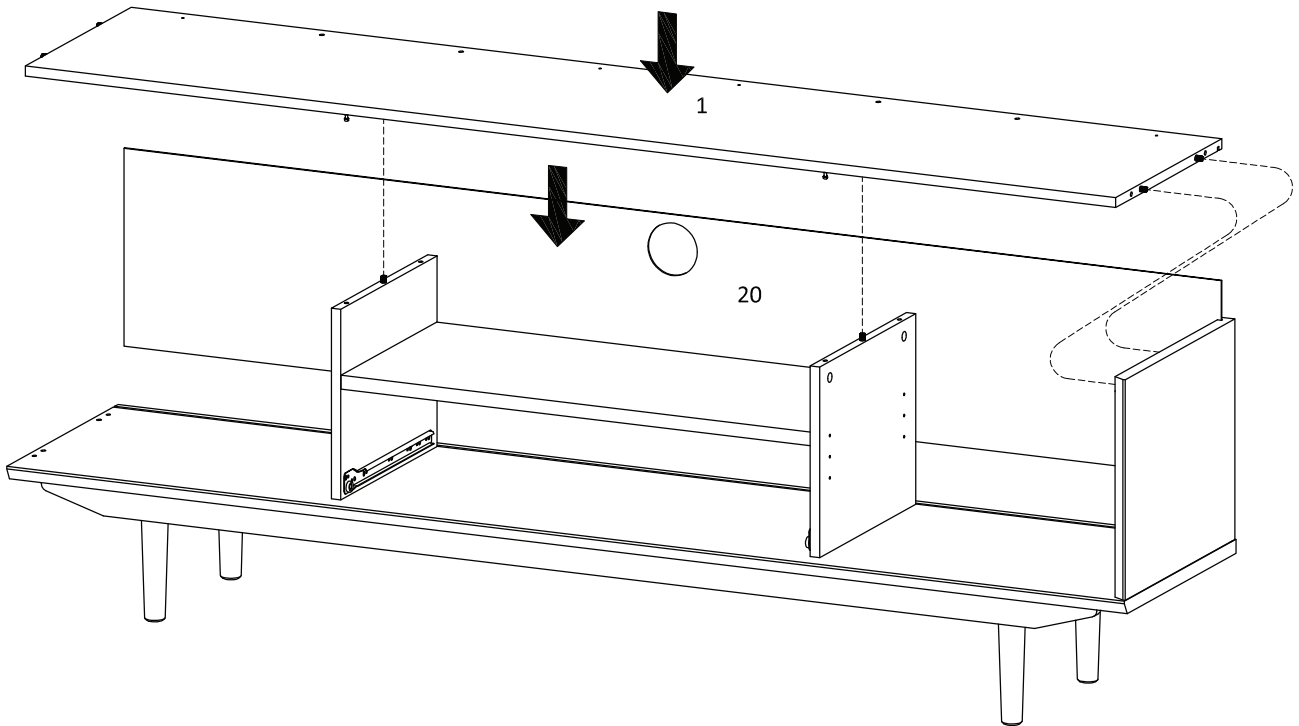
STEP 8:



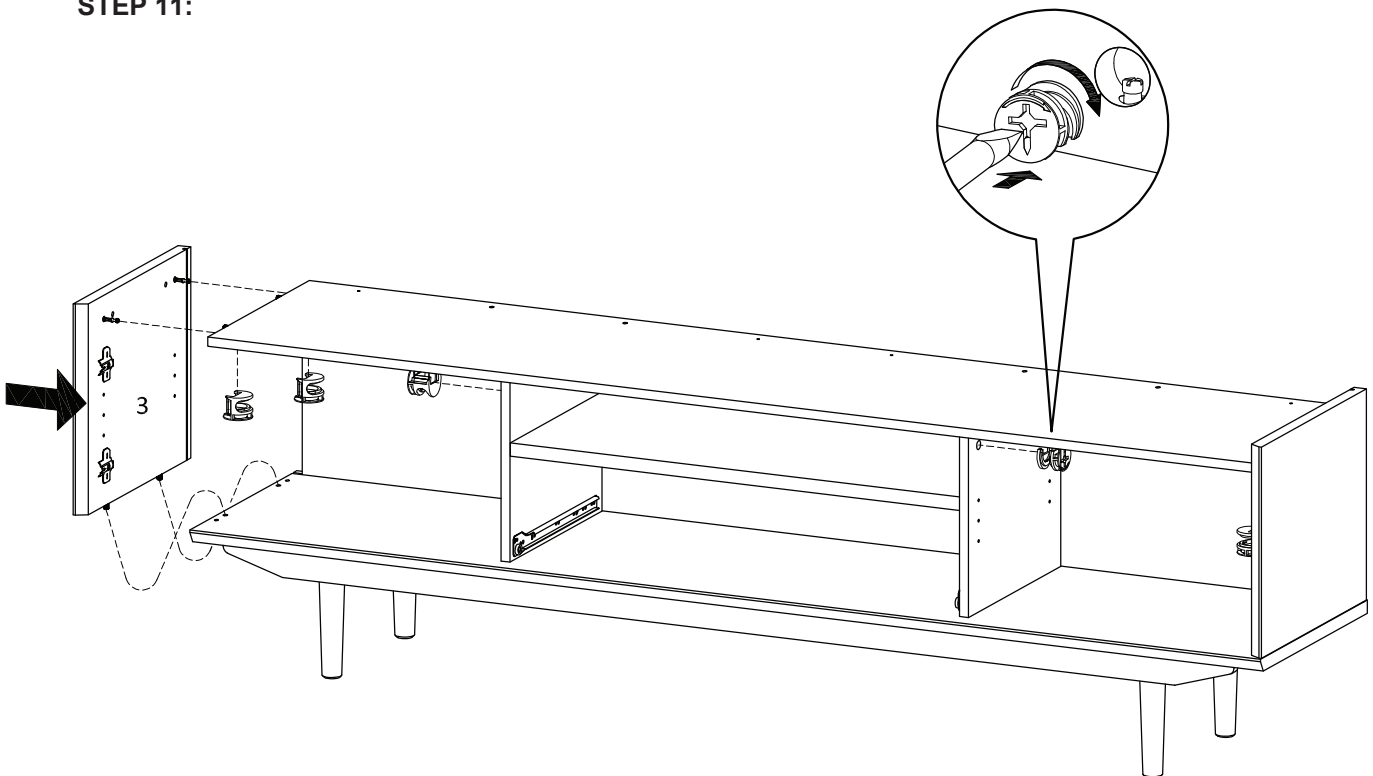
STEP 9:


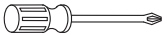


STEP 10:



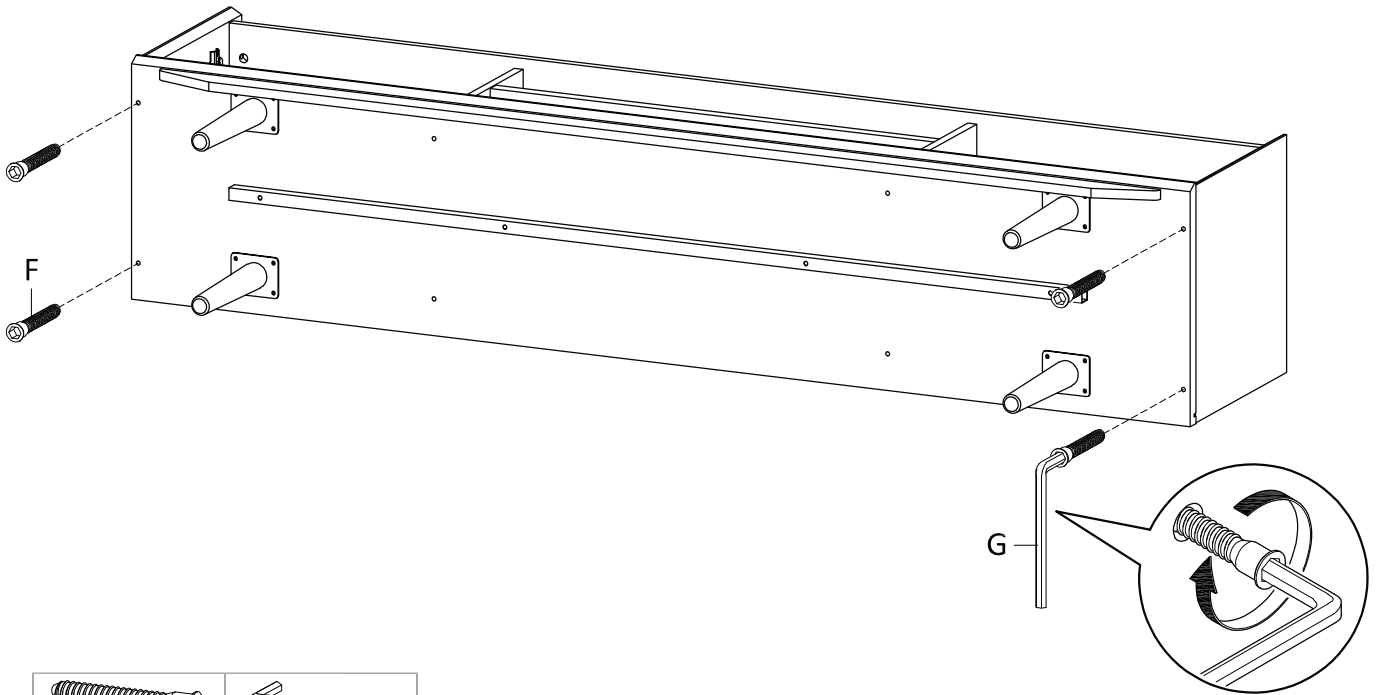
STEP 11:





	
Bx8	Wx1

Hardware required.
Screwdriver not included

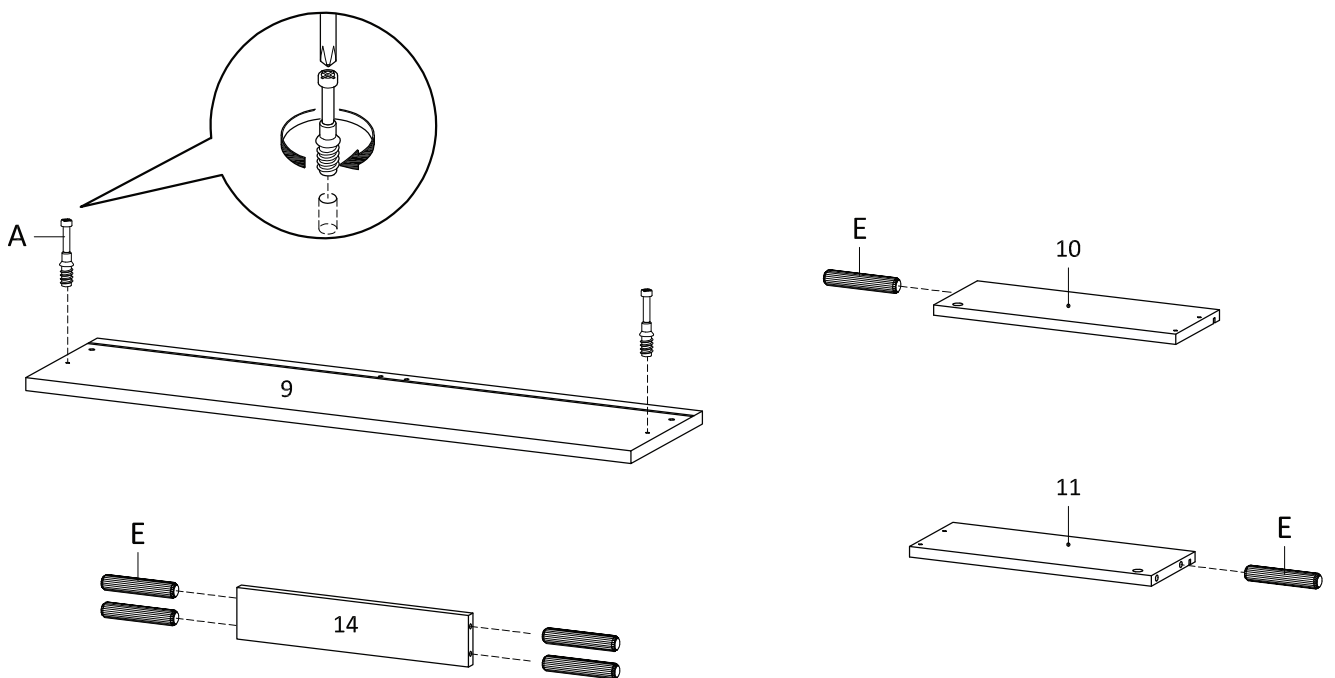
STEP 12:

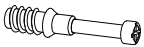

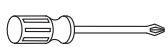


	
Fx4	G

Hardware required.

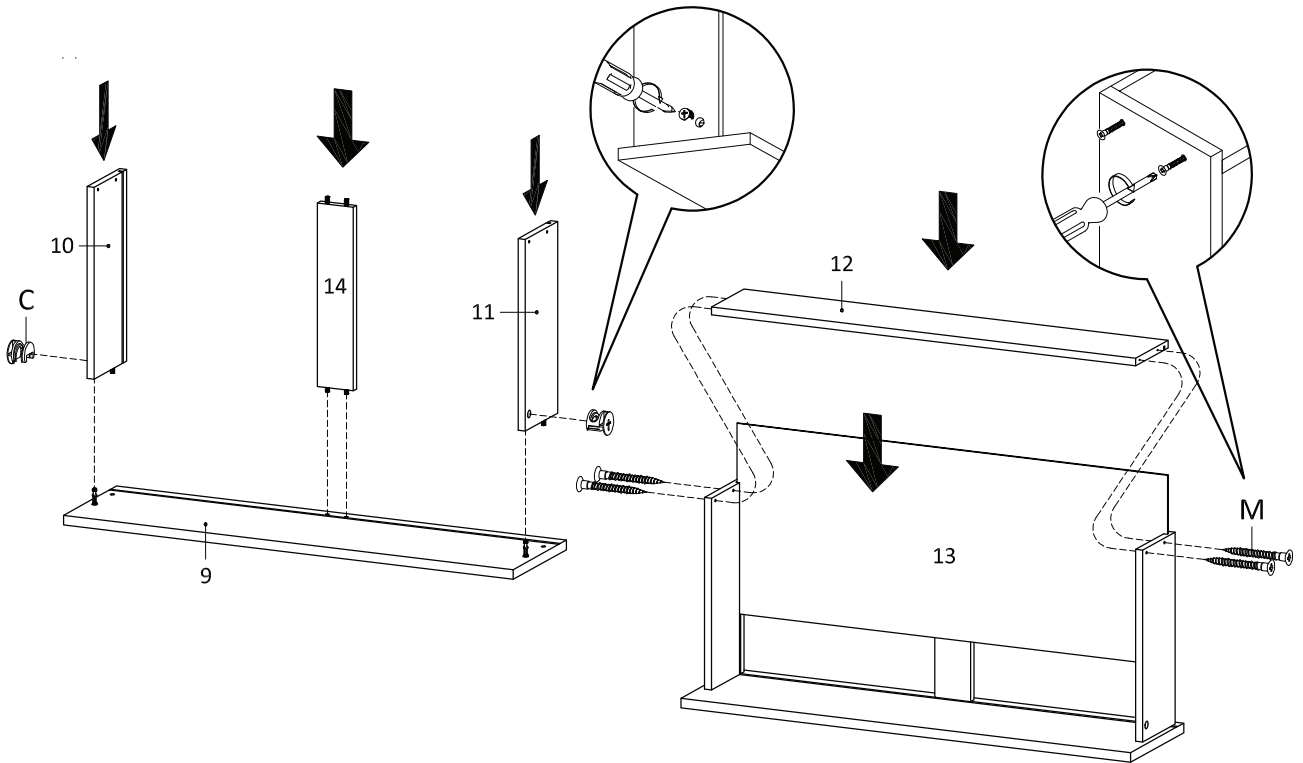
STEP 13:



		
Ax2	Ex6	Wx1

Hardware required.
Screwdriver not included

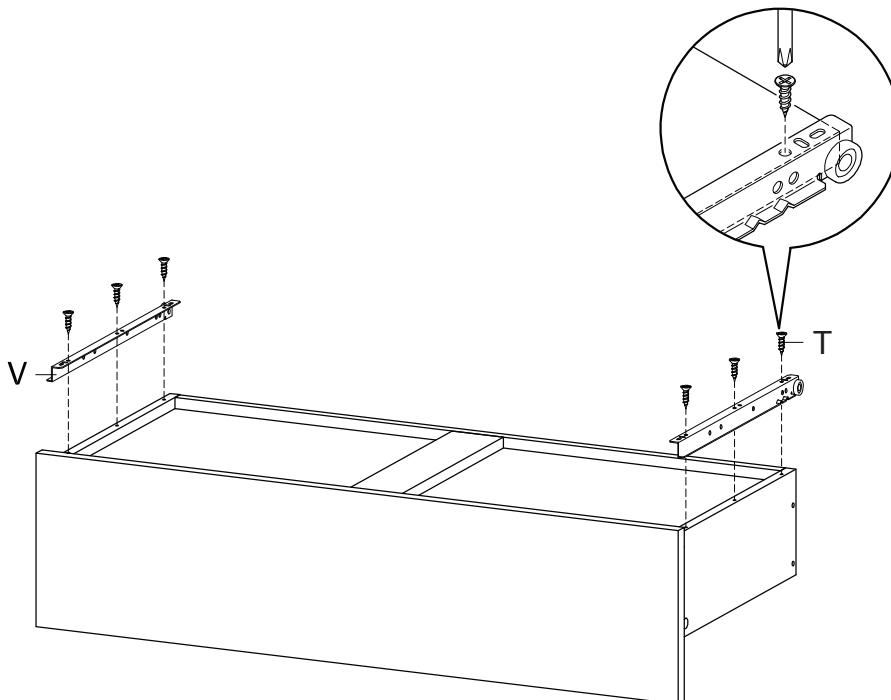
STEP 14:



Cx2	Mx4	Wx1

Hardware required.
Screwdriver not included

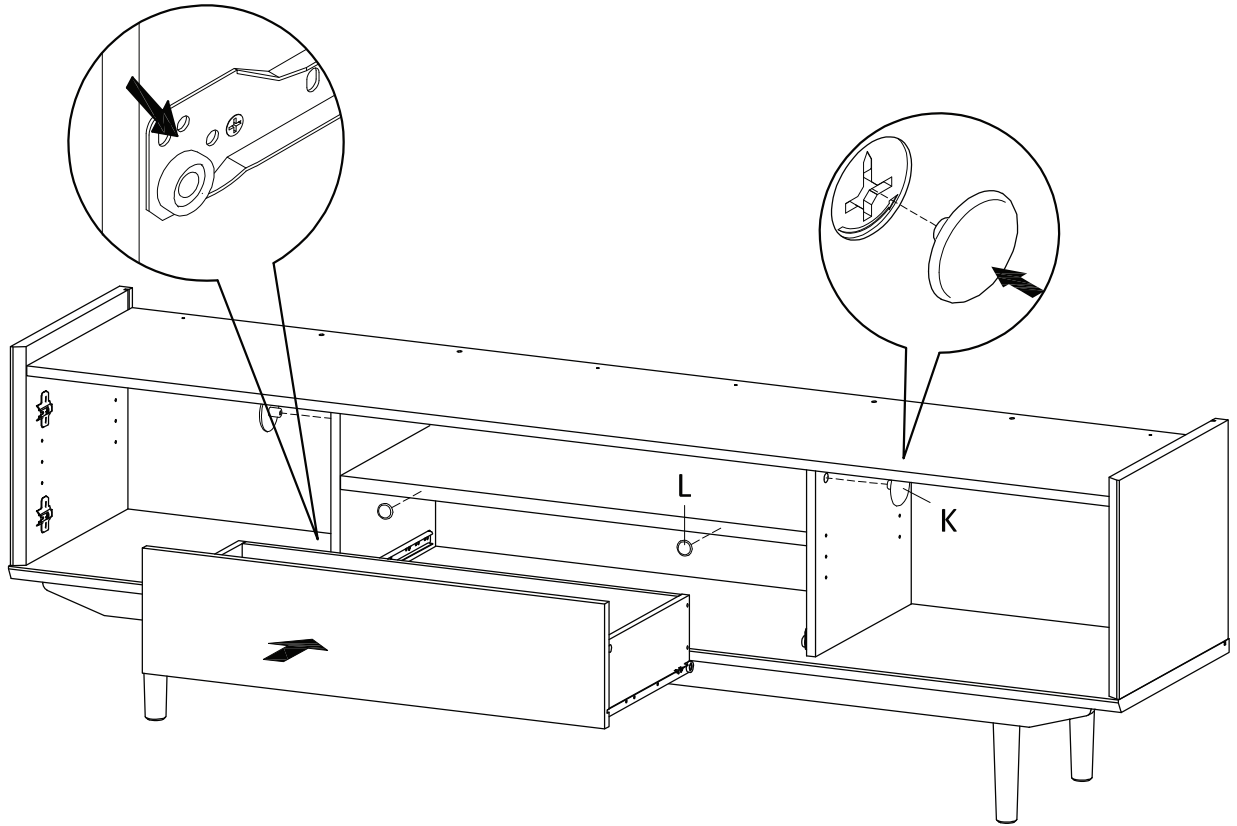
STEP 15:





Vx1	Tx6	Wx1

Hardware required.
Screwdriver not included

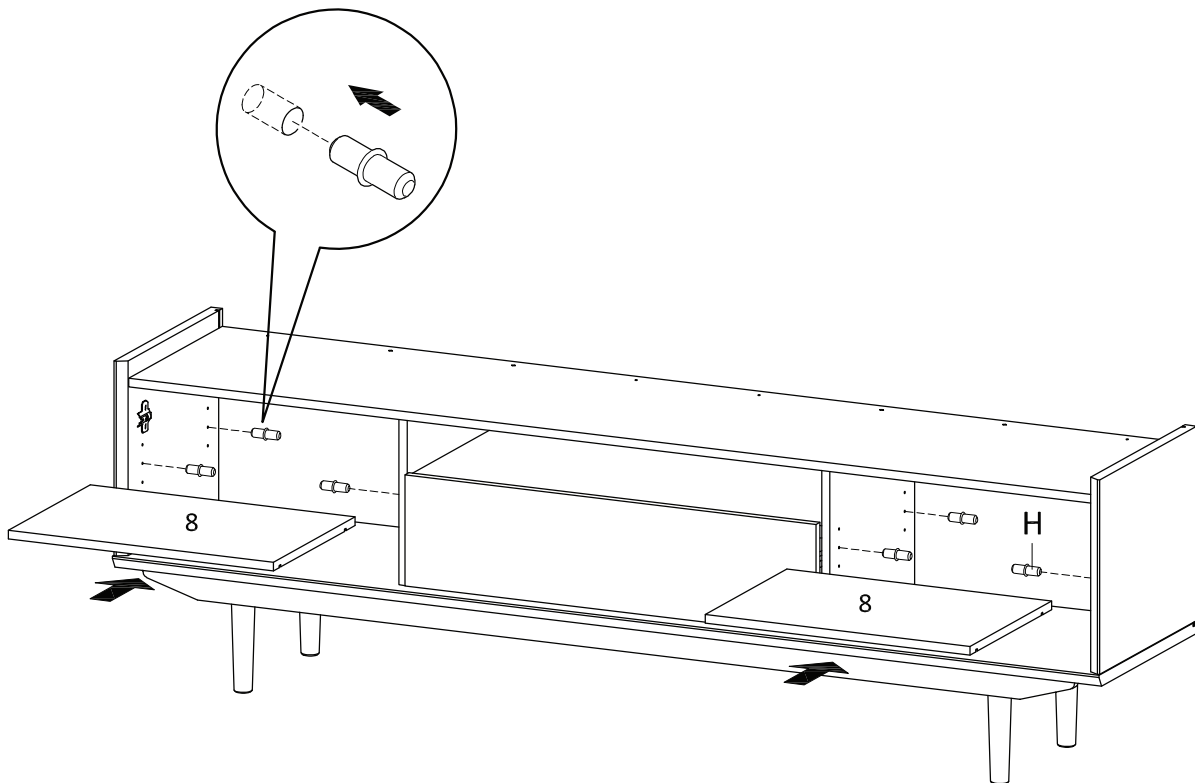
STEP 16:

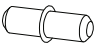


	
Kx4	Lx2

Hardware required.

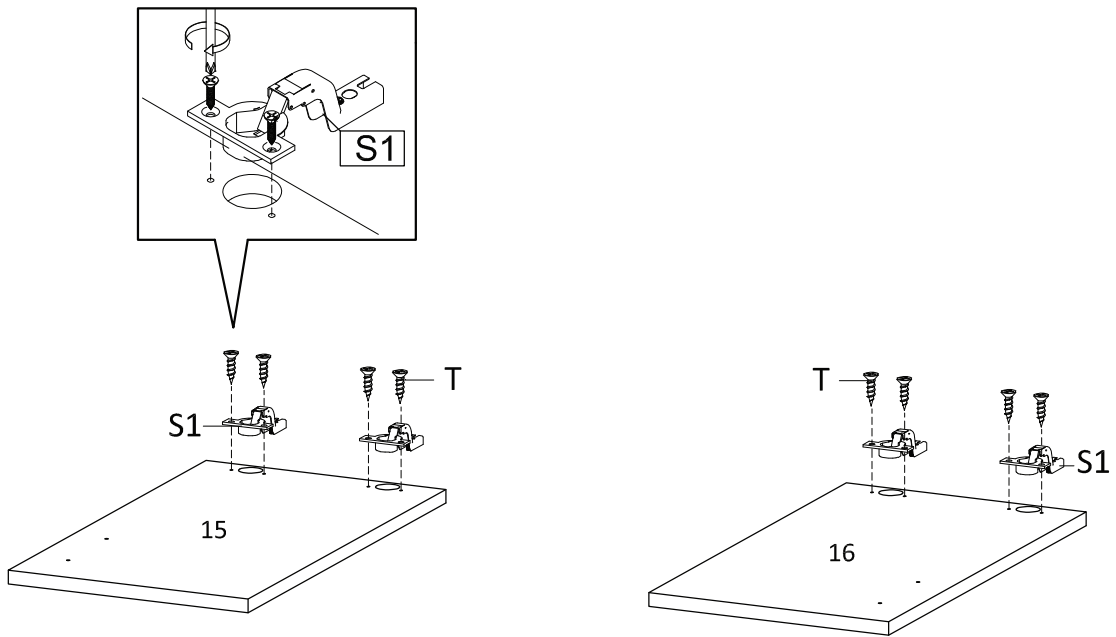
STEP 17:




Hx8

Hardware required.

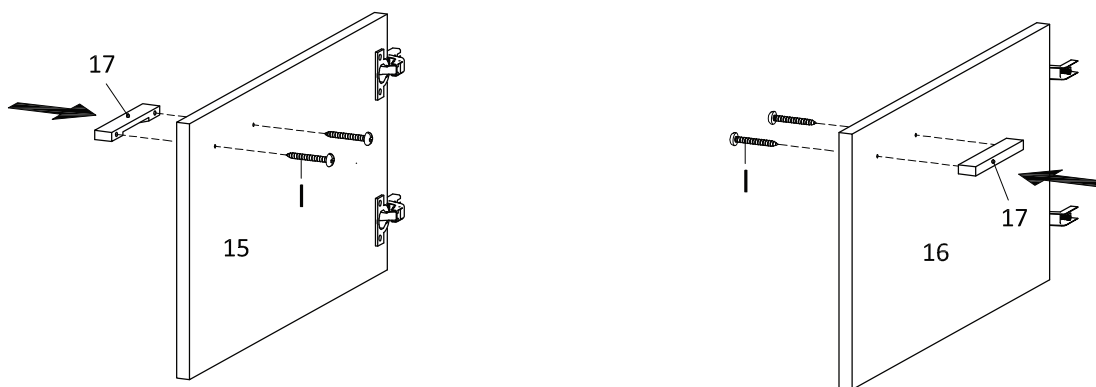
STEP 18:



Sx4	Tx8	Wx1

Hardware required.
Screwdriver not included

STEP 19:

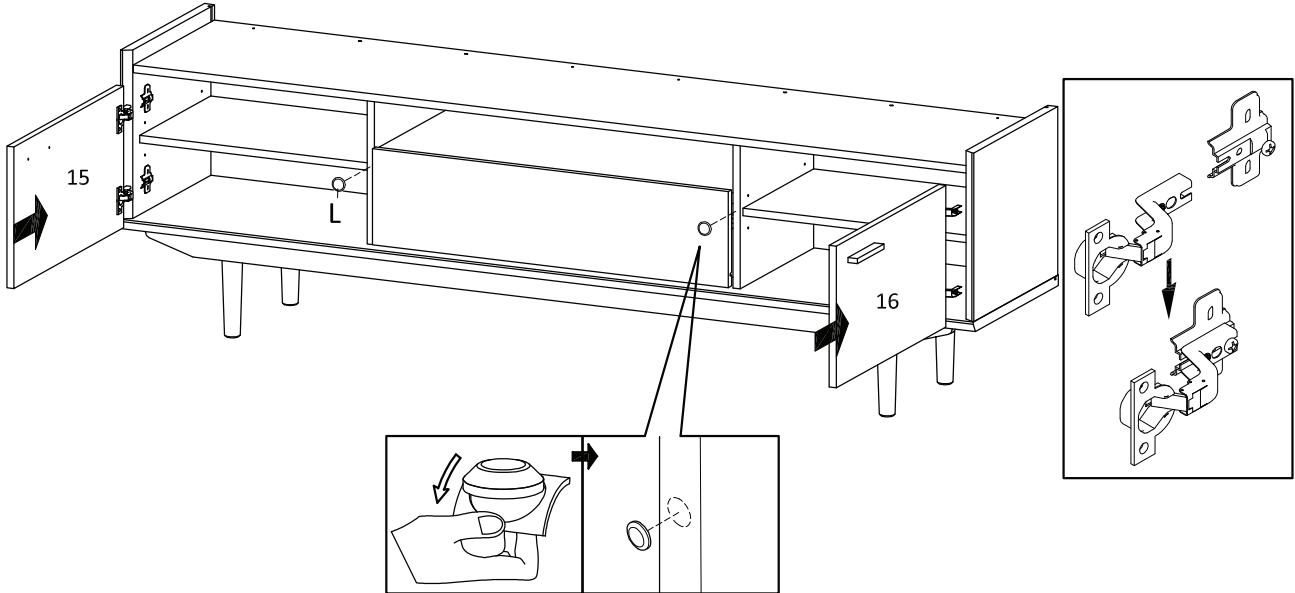
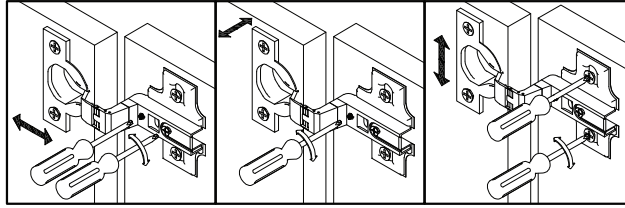


Ix4	Wx1

Hardware required.
Screwdriver not included

STEP 20:

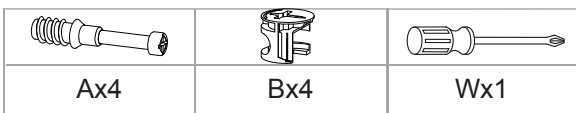
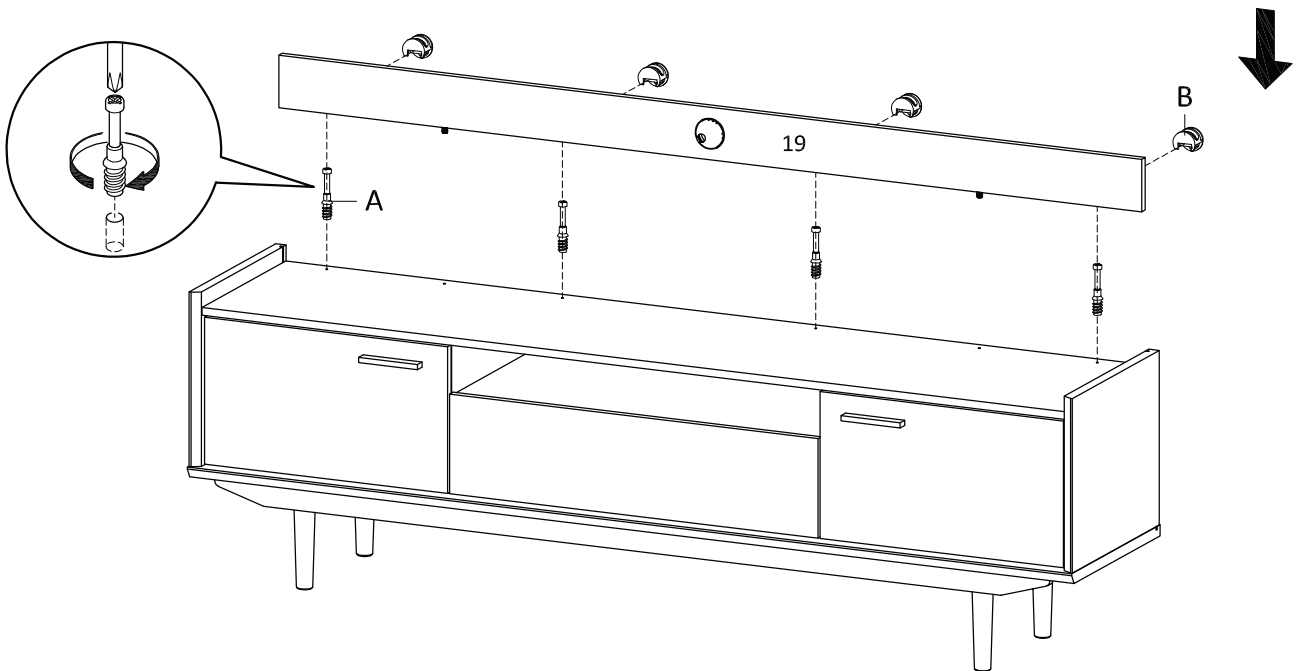
Hinges Adjustment



Lx2

Hardware required.

STEP 21:



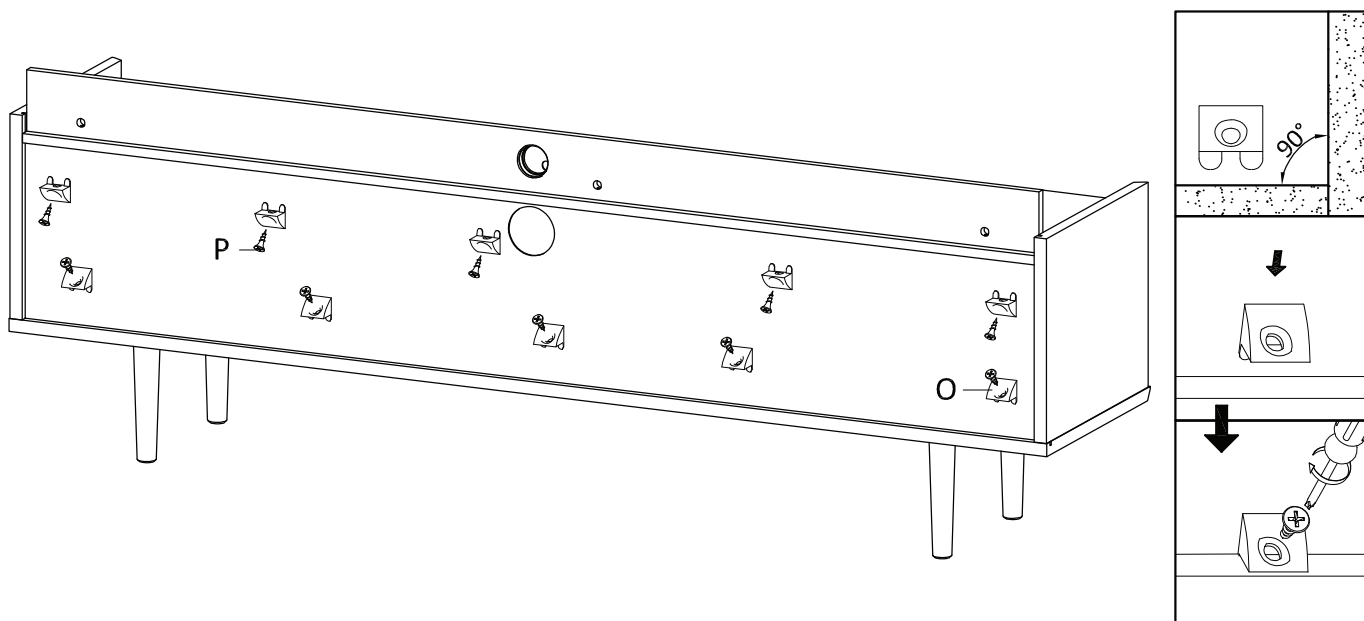
Ax4

Bx4

Wx1

Hardware required.
Screwdriver not included

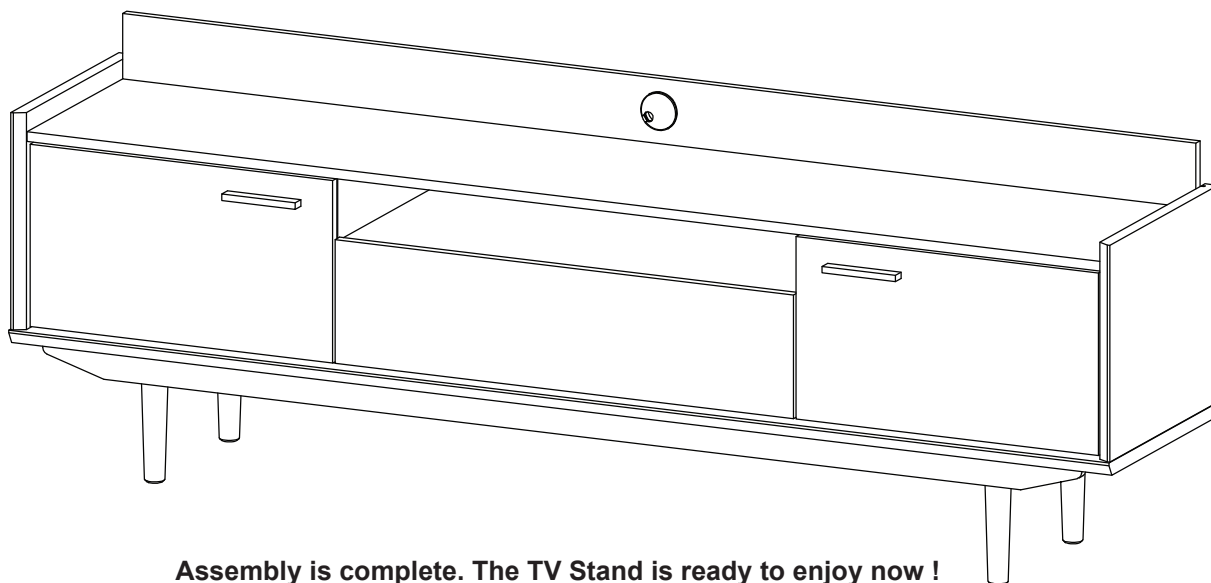
STEP 22:



Ox10	Px10	Wx1

Hardware required.
Screwdriver not included

STEP 23:



Assembly is complete. The TV Stand is ready to enjoy now !

