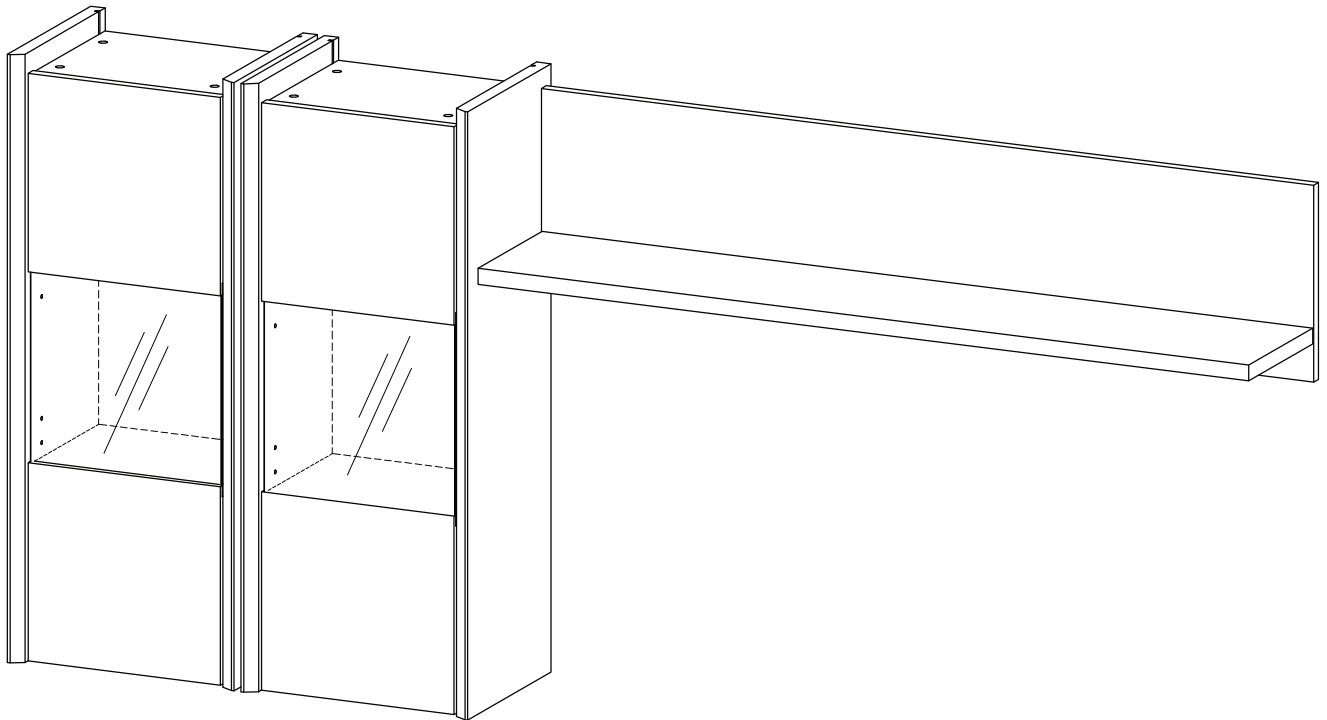


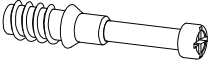

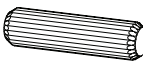
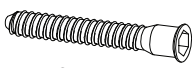

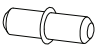

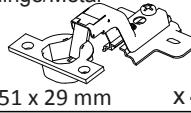


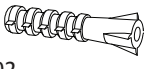
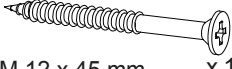


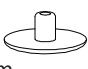
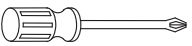
Thank you for purchasing the **MODWAY WALL UNIT** !

Before you start, here are some helpful advice:

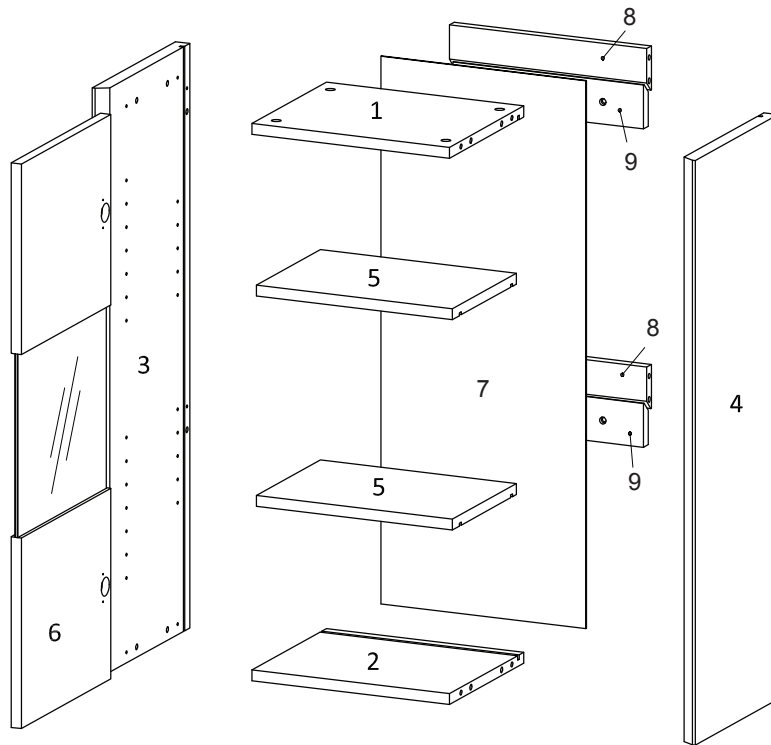
1. We suggest you spend a short time reading through this leaflet and then follow the simple step-by-step instructions.
2. Owing to the size and weight of the Wall Unit, we recommend that it is assembled by two adults, on a carpeted or padded area, in the room that it is intended for. Approximate assembly time: 60 minutes.
3. Please do not use any tools other than those provided or recommended in these instructions.
4. Please do not throw away any of the packaging or instructions until you have checked all the components and hardware and the furniture is fully assembled.
5. Assemble all components loosely until advised to tighten. Depending on use, it may be necessary to tighten the components from time to time, so please save the tools that have been provided.
6. Please keep all pieces out of reach of children.



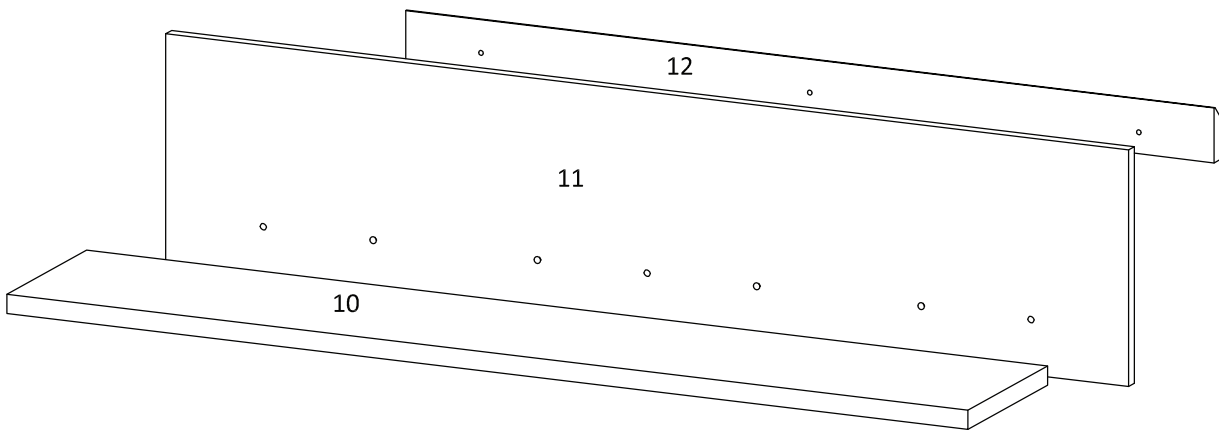
Hardware :

A) Cambolt/Metal  \varnothing 6 x 35 mm x 24	B) CamLock/Metal  x 24	C) Dowel/Wood  \varnothing 8 x 30 mm x 26	D) Screw/Metal  M 7 x 50 mm x 4	E) Key/Metal  L 4 x 1
F) Shelf Pin/Metal  \varnothing 5 x 15 mm x 16	G) Buffer/Rubber  \varnothing 8 mm x 4	H) Hinge/Metal  84 x 51 x 29 mm x 4	I) Screw/Metal  M 3.5 x 13 mm x 8	J) Screw/Metal  M 6.5 x 10.5 mm x 8
K) Fisher/Plastic  SO 02 x 11	L) Screw/Metal  M 12 x 45 mm x 11	M) Wedge/Plastic  9 x 14 x 10 mm x 14	N) Screw/Metal  M 3.5 x 15.5 mm x 14	O) Screw Cup/Plastic  \varnothing 15 mm x 8
P) x 1  Screwdriver (Not Include)				

Components:

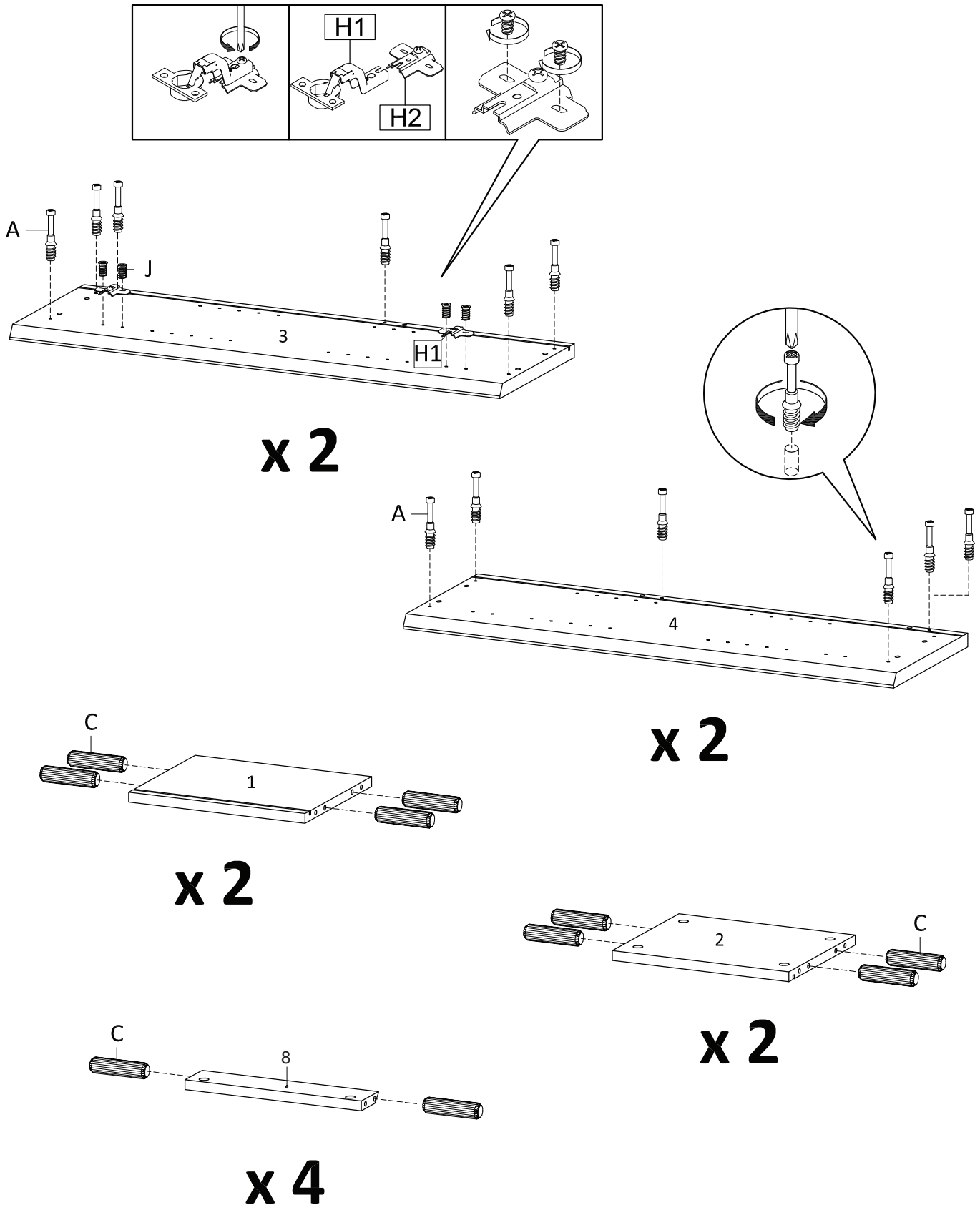


x 2

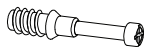






1	Top Board	x1	2	Bottom Board	x1	3	Side Board Left	x1	4	Side Board Right	x1
5	Adjustable Shelf	x2	6	Wooden Door	x1	7	Back Board 1	x1	8	Support Board 1	x2
9	Support Board 2	x1	10	Fixed Shelf	x1	11	Back Board 2	x1	12	Support Board 3	x1

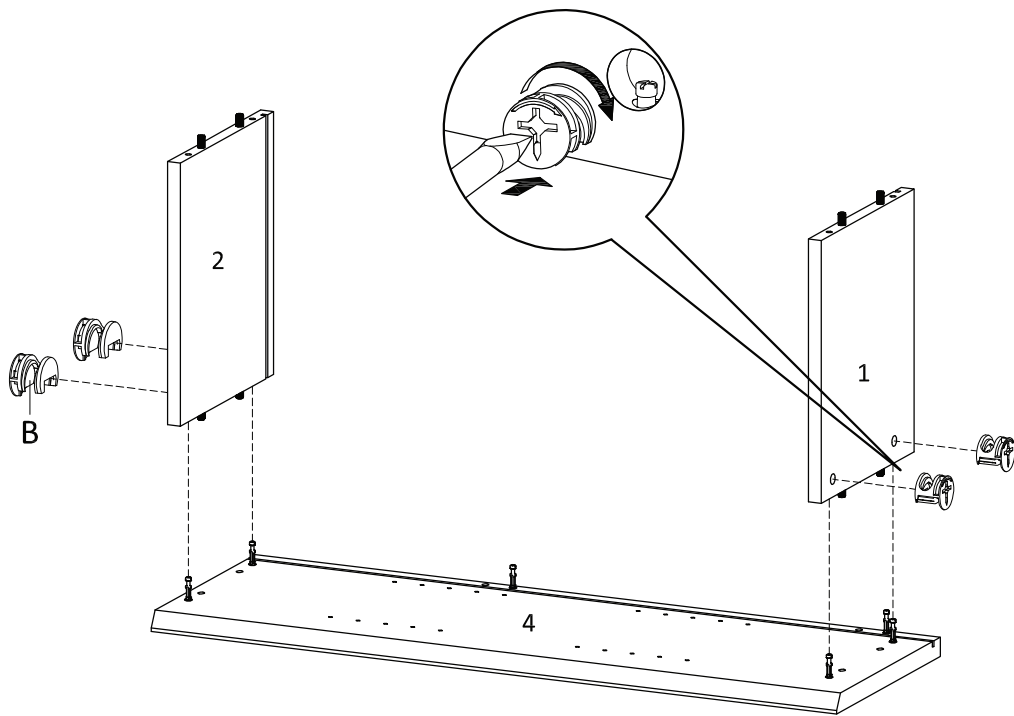
STEP 1:



Hardware required.
Screwdriver not included

				
Ax24	Cx24	Hx4	Jx8	Px1

STEP 2:

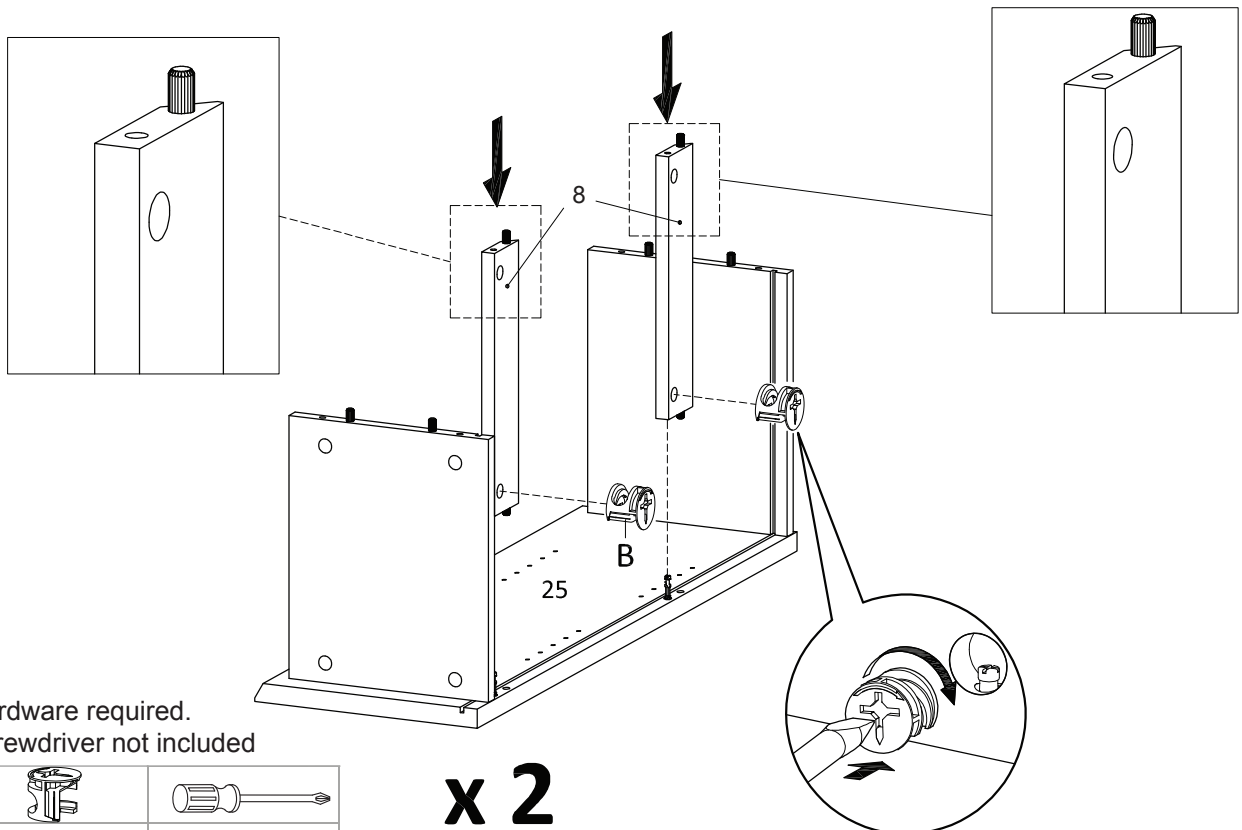


x 2

Bx8	Px1

Hardware required.
Screwdriver not included

STEP 3:

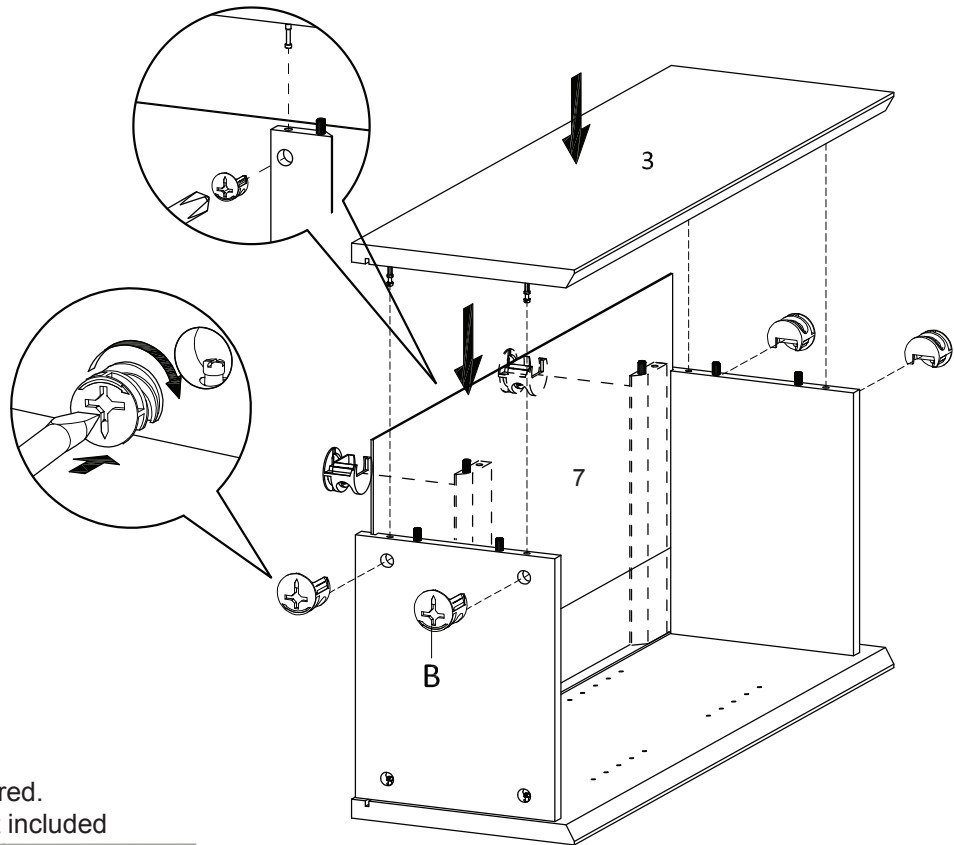


x 2



Hardware required.
Screwdriver not included

Bx4	Px1

STEP 4:

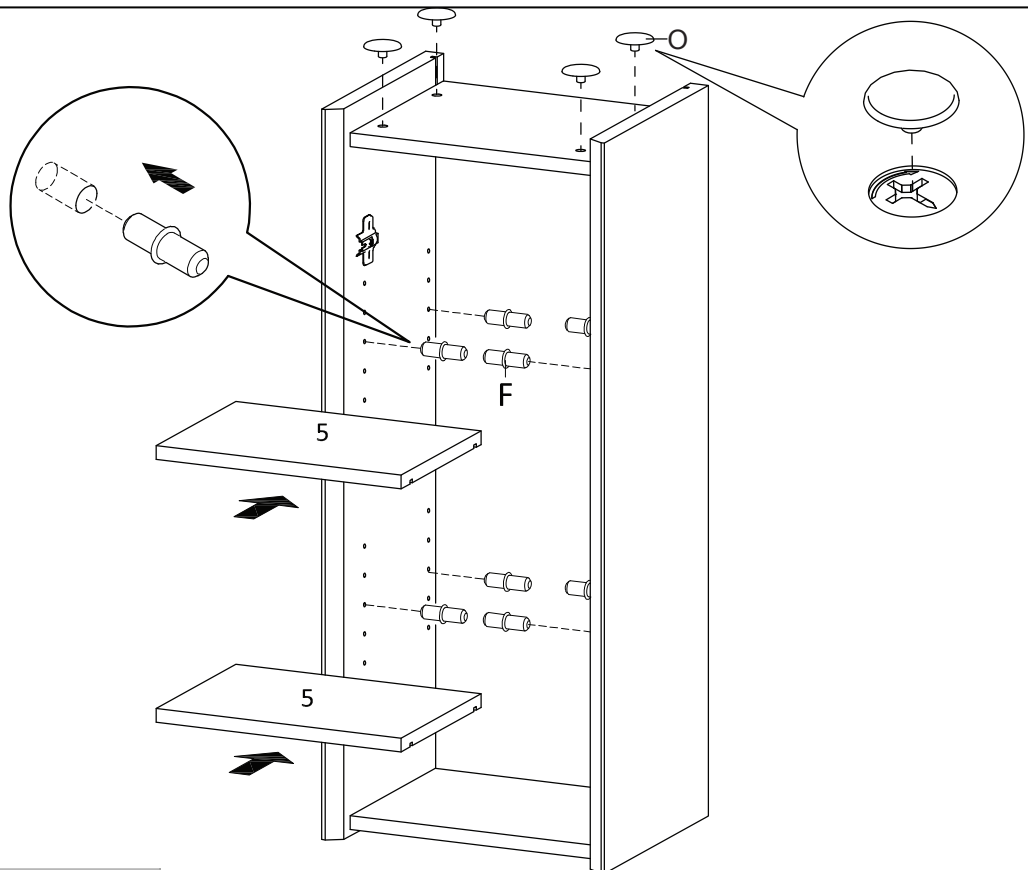


Hardware required.
Screwdriver not included

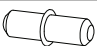

	
Bx12	Px1

x 2

STEP 5:

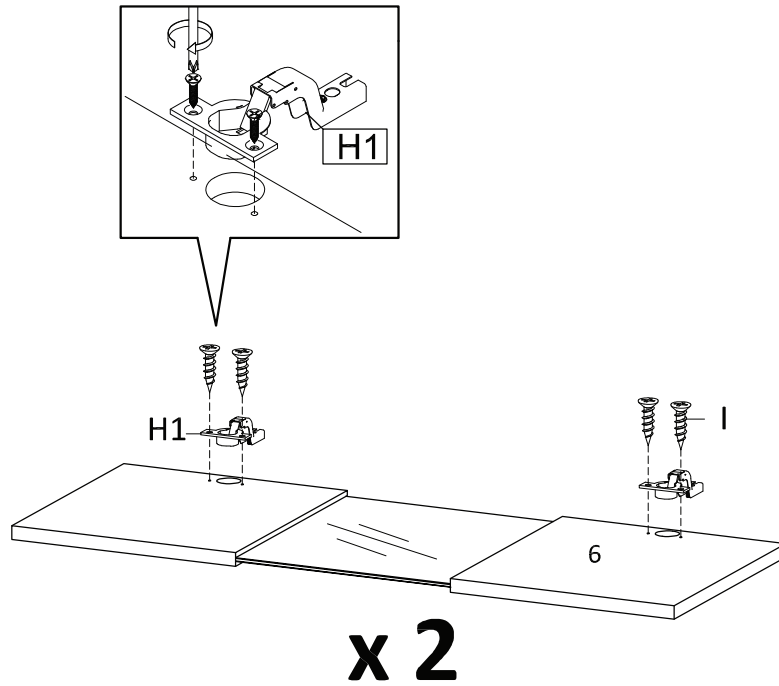


Hardware required.

	
Fx16	Ox8

x 2

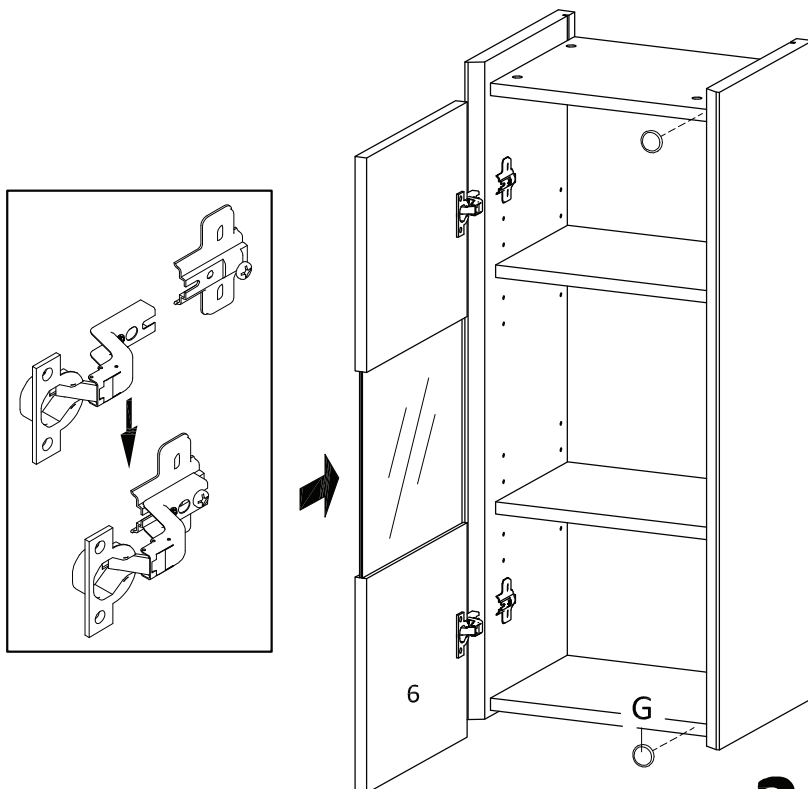
STEP 6:



Hx4	lx8	Px1

Hardware required.
Screwdriver not included

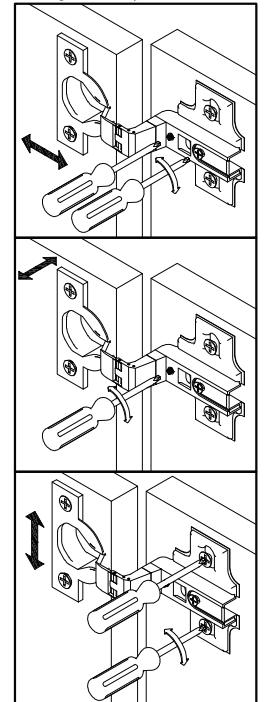
STEP 7:



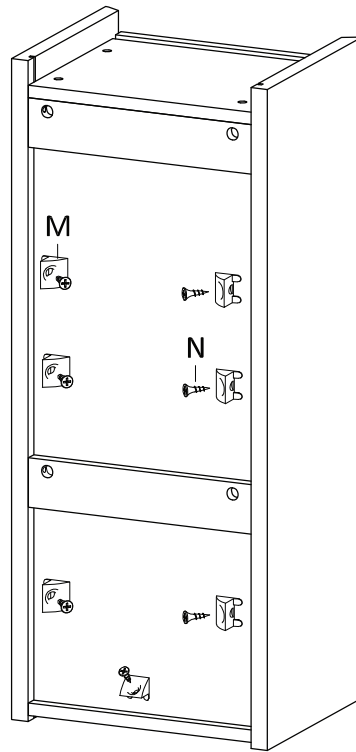
Gx4

Hardware required.

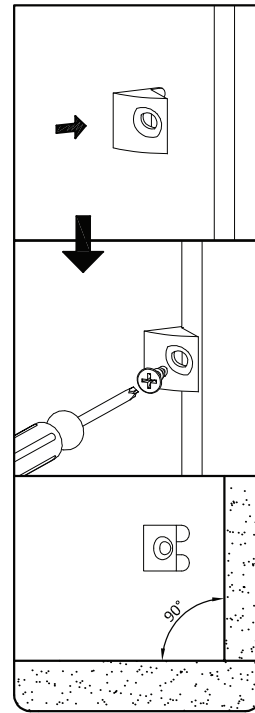
Hinges Adjustment



STEP 8:



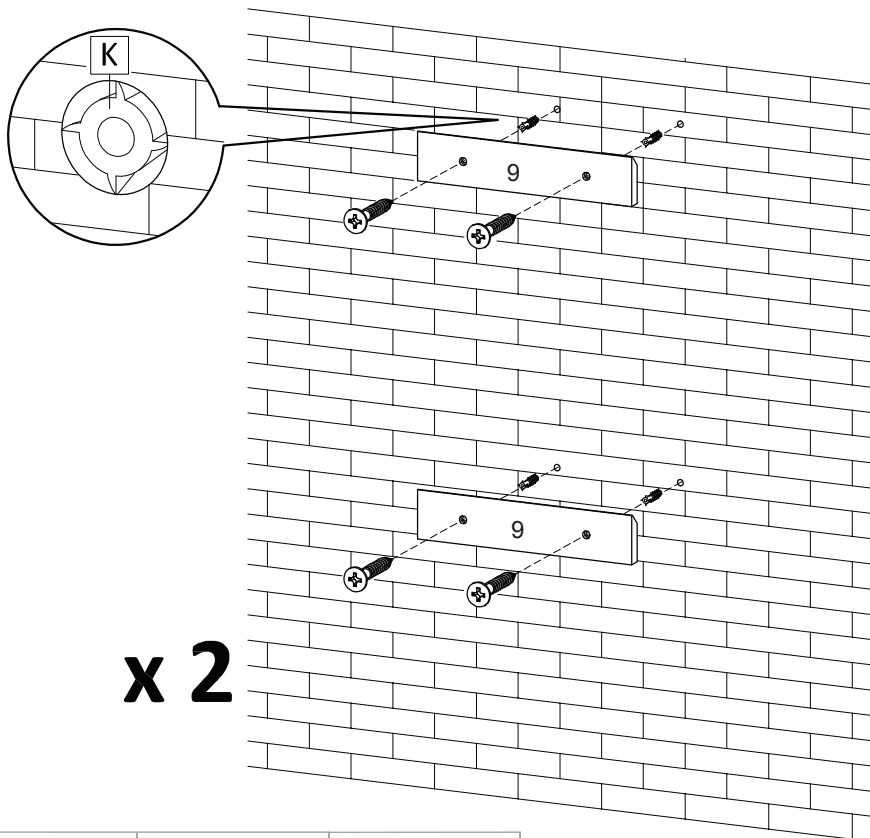
x 2



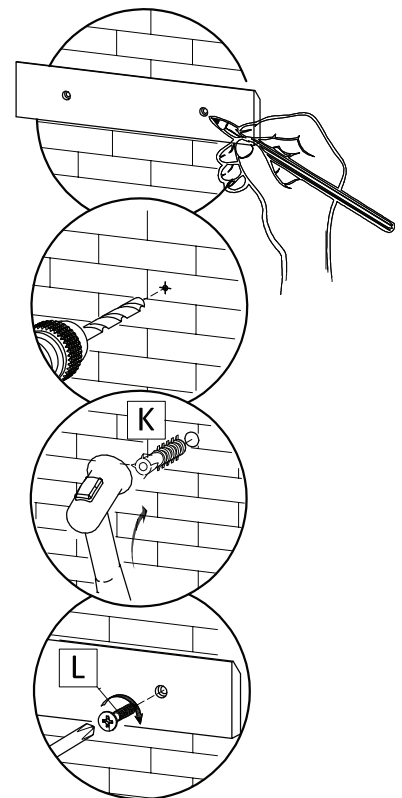
Mx14	Nx14	Px1

Hardware required.
Screwdriver not included

STEP 9:



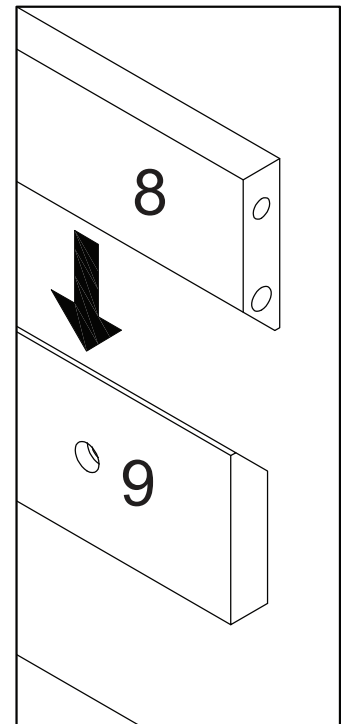
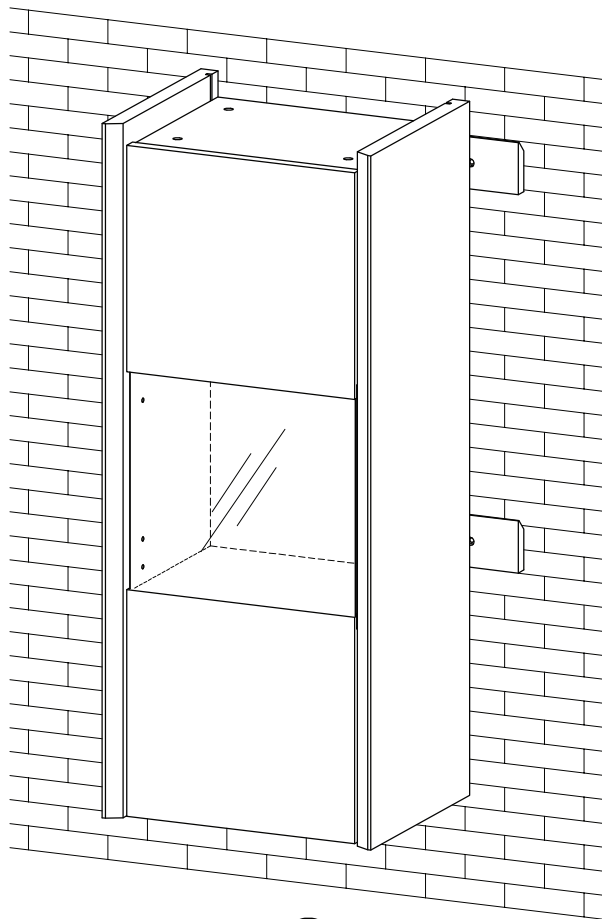
x 2



Lx8	Kx8	Px1

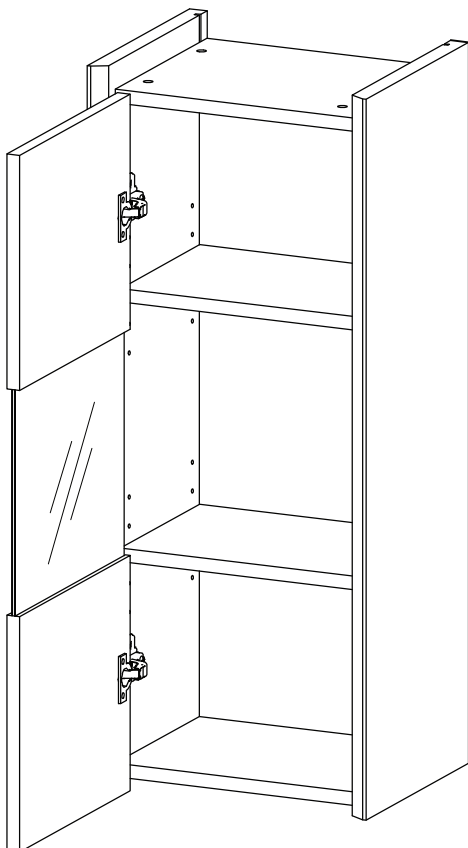
Hardware required.
Screwdriver not included

STEP 10:

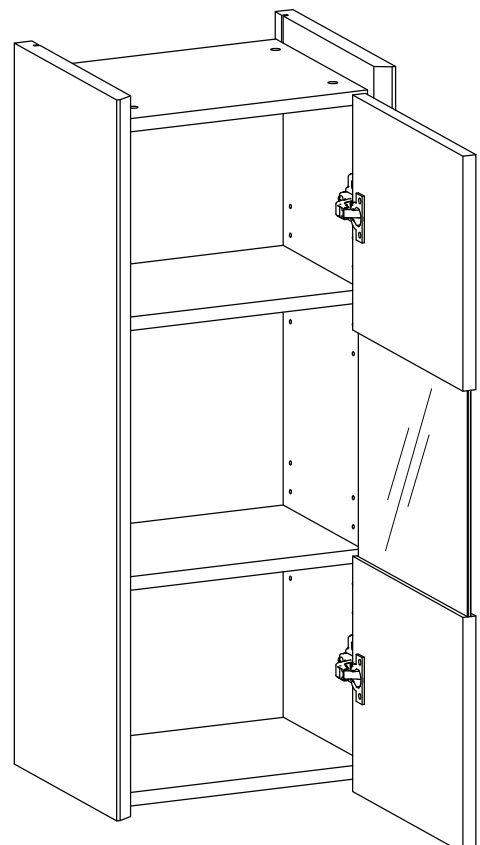


x 2

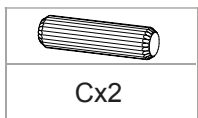
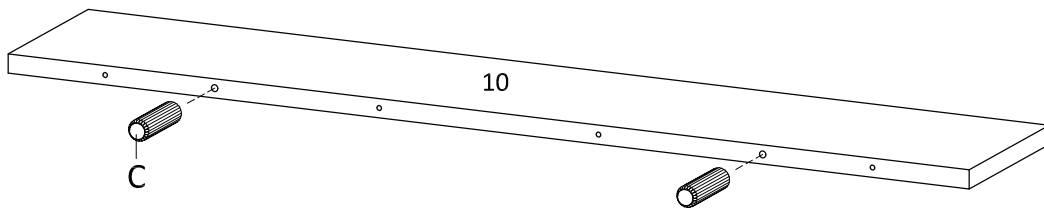
STEP 11: **OPTION 1**



OPTION 2

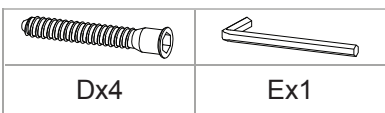
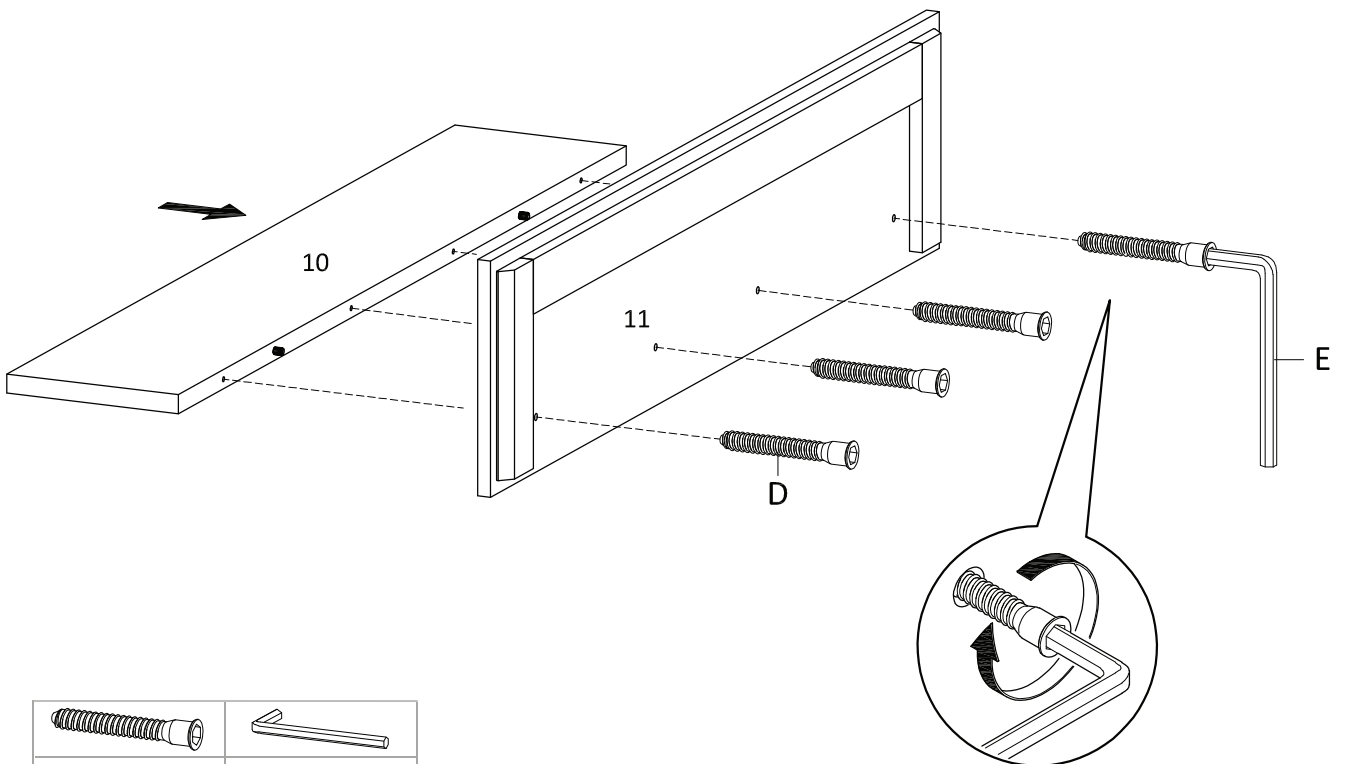


STEP 12:



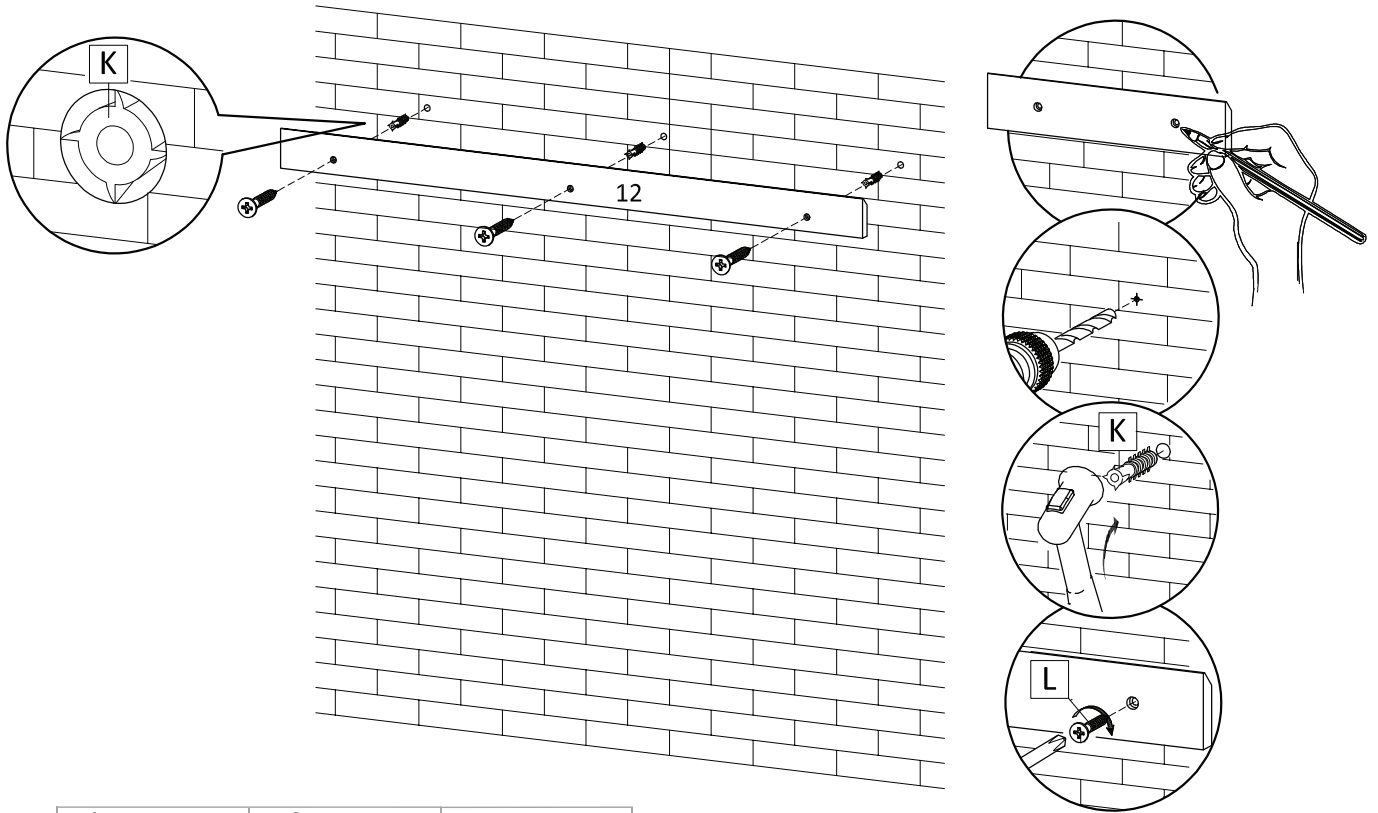
Hardware required.

STEP 13:



Hardware required.

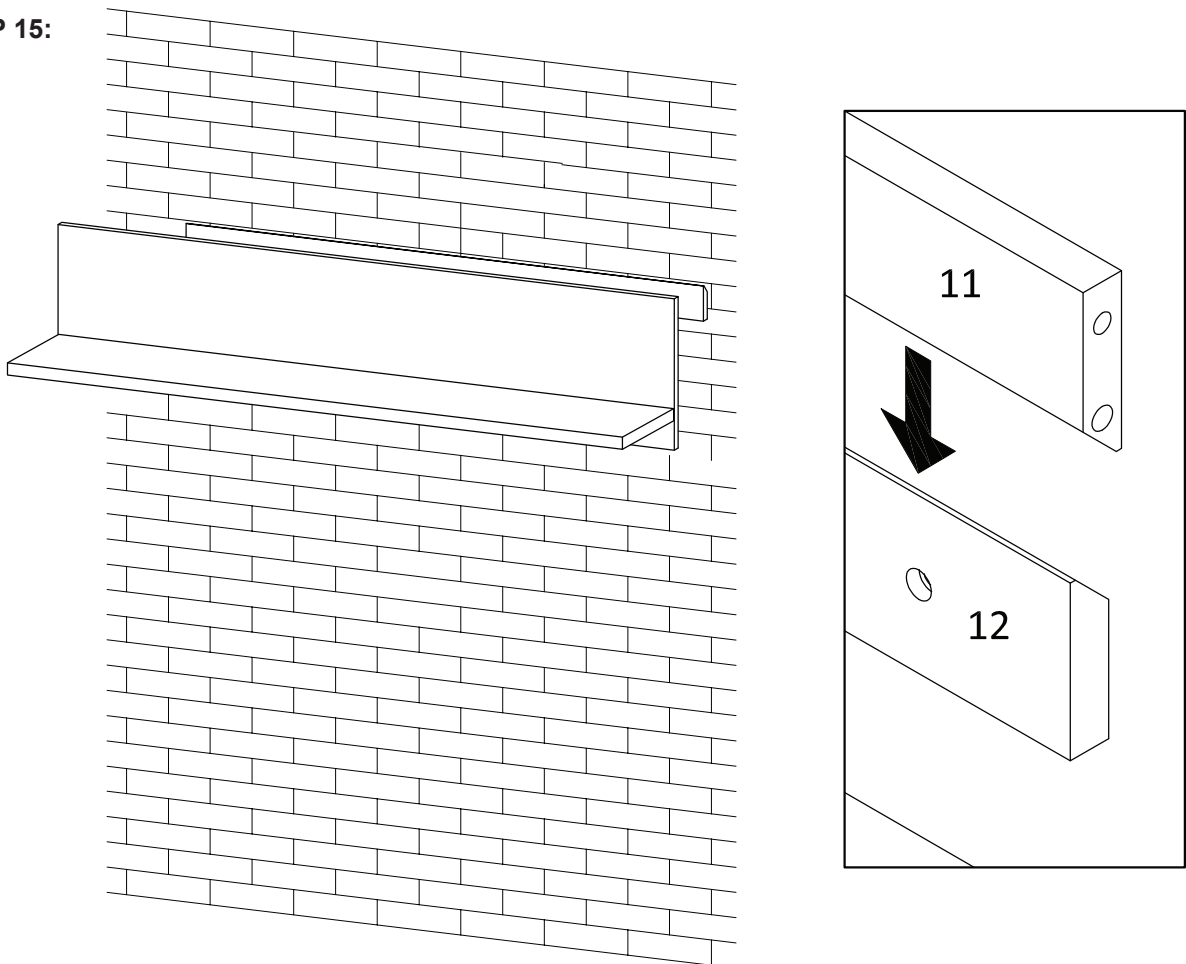
STEP 14:



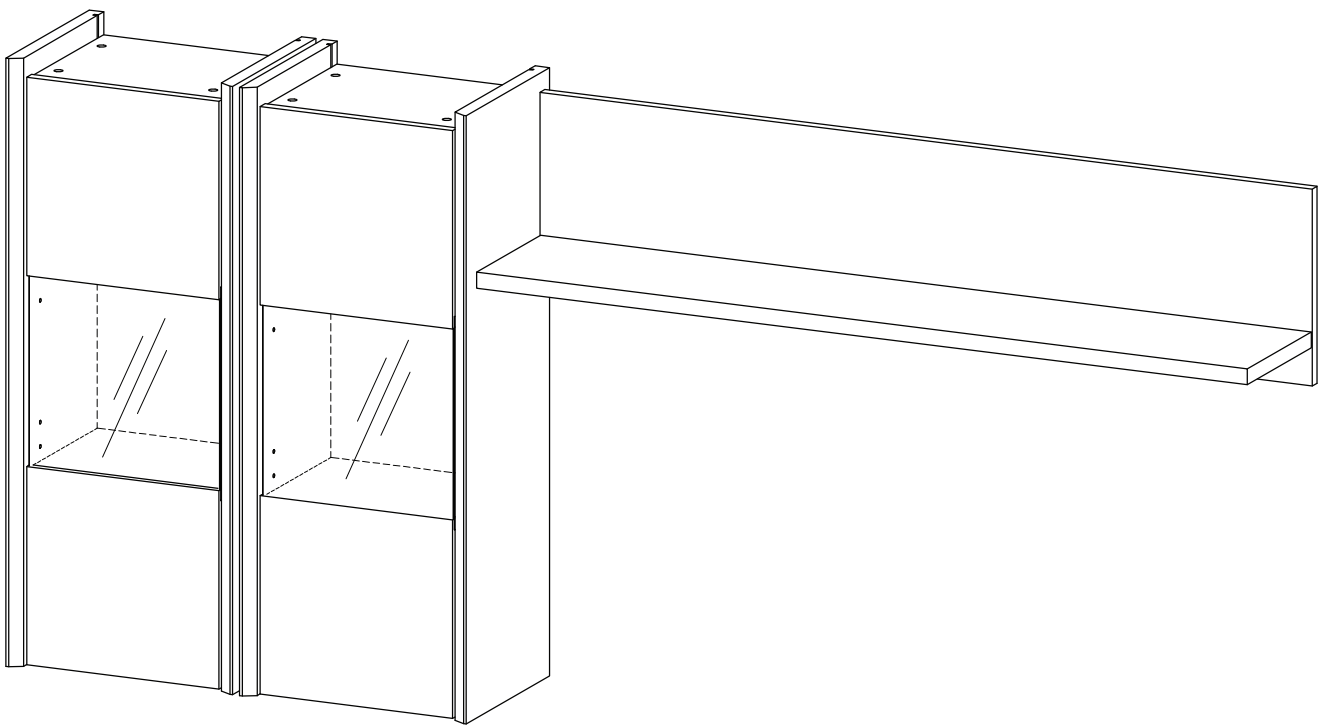
Lx3	Kx3	Px1

Hardware required.
Screwdriver not included

STEP 15:



STEP 16:



Assembly is complete. The WALL UNIT is ready to enjoy now !

