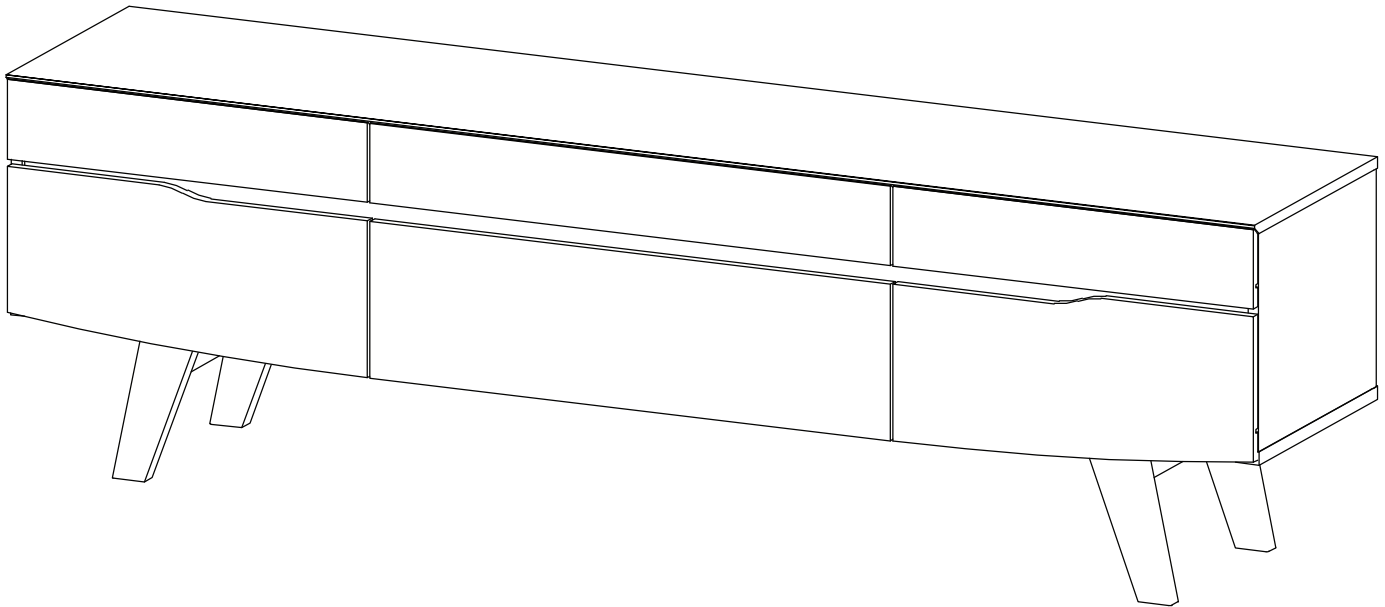


Thank you for purchasing the **MODWAY TV STAND !**

Before you start, here are some helpful advice:

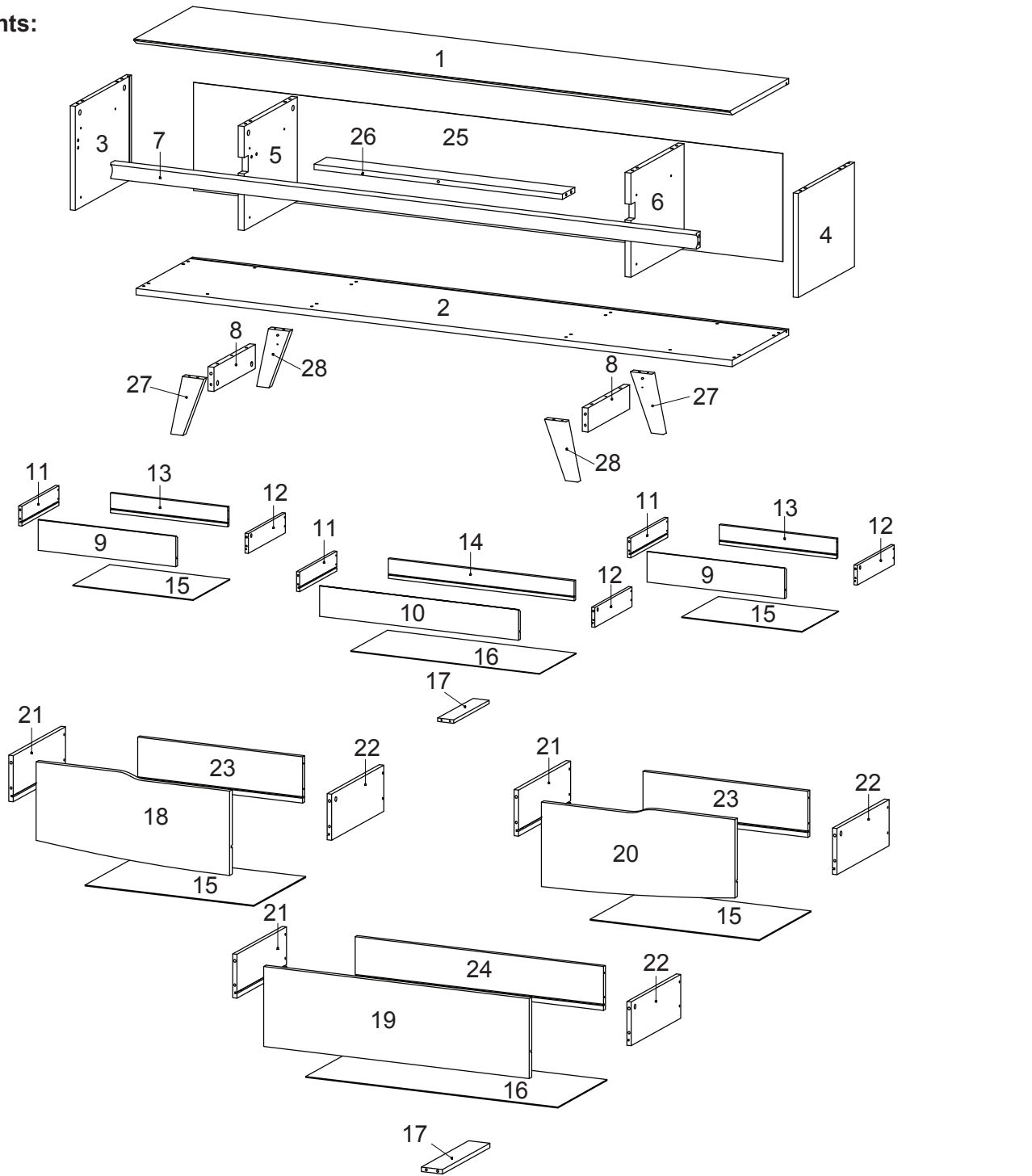
1. We suggest you spend a short time reading through this leaflet and then follow the simple step-by-step instructions.
2. Owing to the size and weight of the TV Stand, we recommend that it is assembled by two adults, on a carpeted or padded area, in the room that it is intended for. Approximate assembly time: 60 minutes.
3. Please do not use any tools other than those provided or recommended in these instructions.
4. Please do not throw away any of the packaging or instructions until you have checked all the components and hardware and the furniture is fully assembled.
5. Assemble all components loosely until advised to tighten. Depending on use, it may be necessary to tighten the components from time to time, so please save the tools that have been provided.
6. Please keep all pieces out of reach of children.



### Hardware :

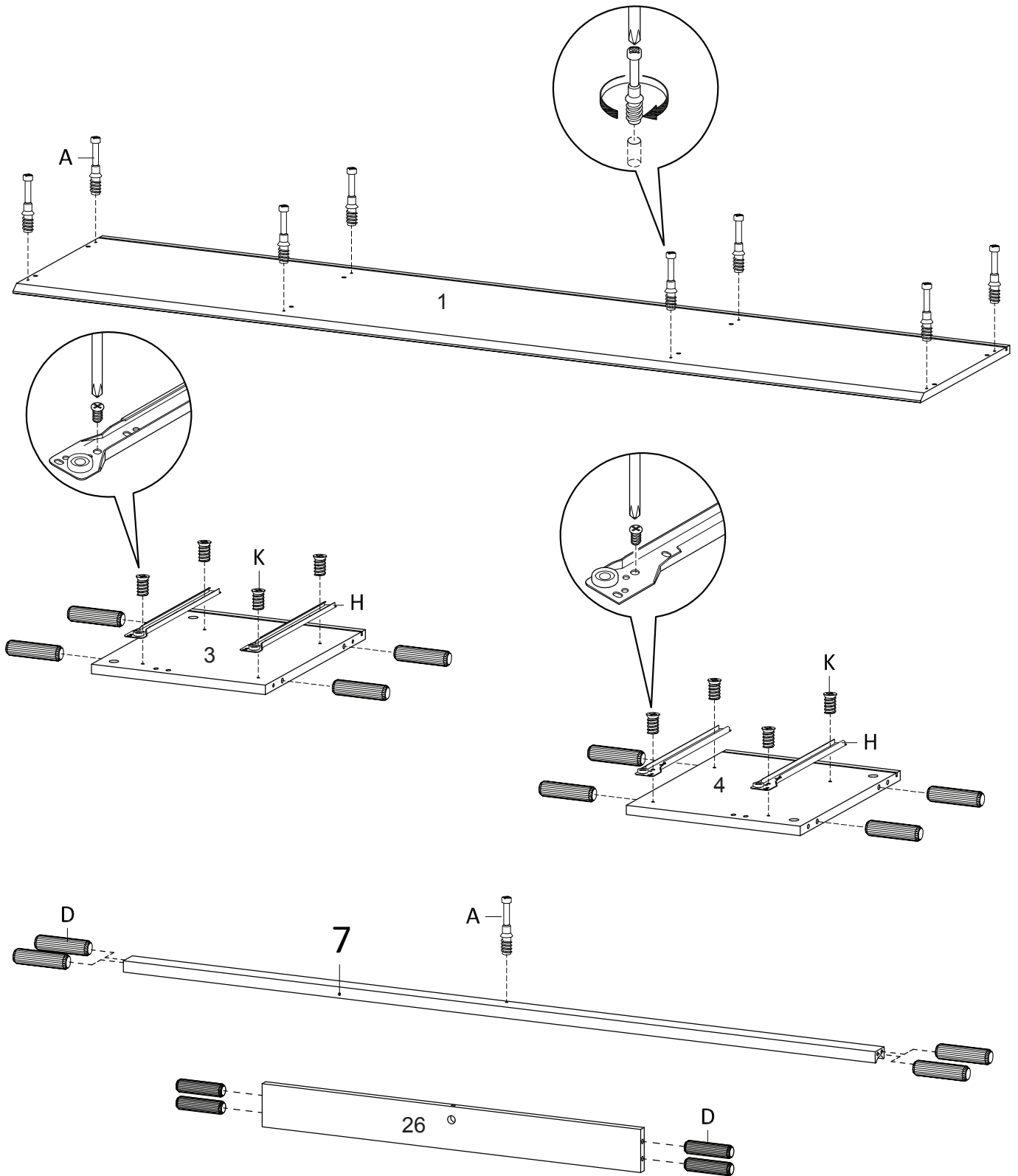
<b>A)</b> Cambolt/Metal  $\varnothing$ 6 x 35 mm x 25	<b>B)</b> CamLock Big/Metal  $\varnothing$ 15 mm x 13	<b>C)</b> CamLock Small/Metal  $\varnothing$ 12 mm x 12	<b>D)</b> Dowel Big/Wood  $\varnothing$ 8 x 30 mm x 32	<b>E)</b> Dowel Small/Wood  $\varnothing$ 6 x 30 mm x 20
<b>F)</b> Screw/Metal  M 7 x 50 mm x 16	<b>G)</b> Key/Metal  L 4 x 1	<b>H)</b> Rell/Metal  300 mm x 6	<b>I)</b> Screw/Metal  M 3.5 x 13 mm x 36	<b>J)</b> Screw/Metal  M 8 x 39 mm x 24
<b>K)</b> Screw/Metal  M 6.5 x 10.5 mm x 46	<b>L)</b> Wedge/Plastic  9 x 14 x 10 mm x 10	<b>M)</b> Screw/Metal  M 3.5 x 15.5 mm x 10	<b>N)</b> U Support /Metal  1500 x 20 x 20 mm x 1	<b>O)</b> Screwdriver (Not Include)  x 1

Components:

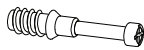






1	Top Board	x1	2	Bottom Board	x1	3	Side Board Left	x1	4	Side Board Right	x1
5	Centre Board Left	x1	6	Centre Board Right	x1	7	Support Board 1	x1	8	Support Leg	x2
9	Front Drawer Small 1	x2	10	Front Drawer Small 2	x1	11	Side Drawer Left	x3	12	Side Drawer Right	x3
13	Back Drawer Small 1	x2	14	Back Drawer Small 2	x1	15	Bottom Drawer 1	x4	16	Bottom Drawer 2	x2
17	Support Drawer	x2	18	Front Drawer Big Left	x1	19	Front Drawer Big Middle	x1	20	Front Drawer Big Right	x1
21	Side Drawer Big Left	x3	22	Side Drawer Big Right	x3	23	Back Drawer Big	x2	24	Back Drawer Big Middle	x1
25	Back Board	x1	26	Support Board 2	x1	27	Leg 1	x2	28	Leg 2	x2

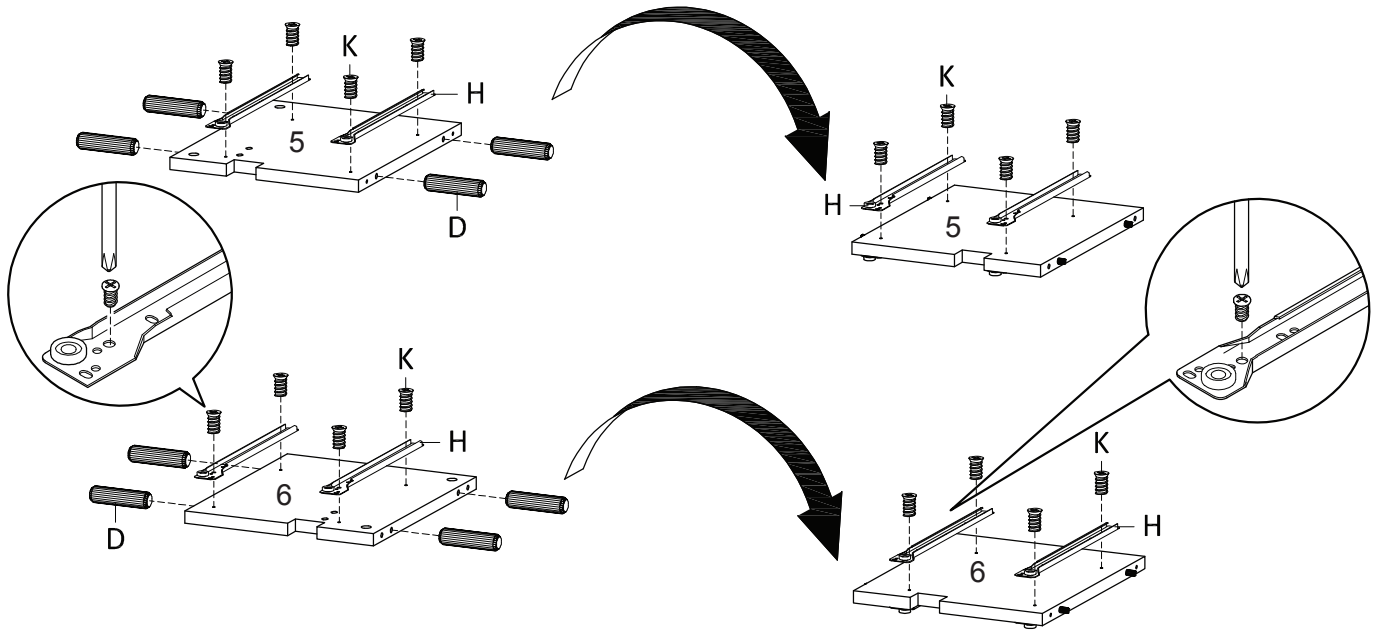
STEP 1:



Hardware required.  
Screwdriver not included

				
Ax9	Dx16	Hx2	Kx8	Ox1

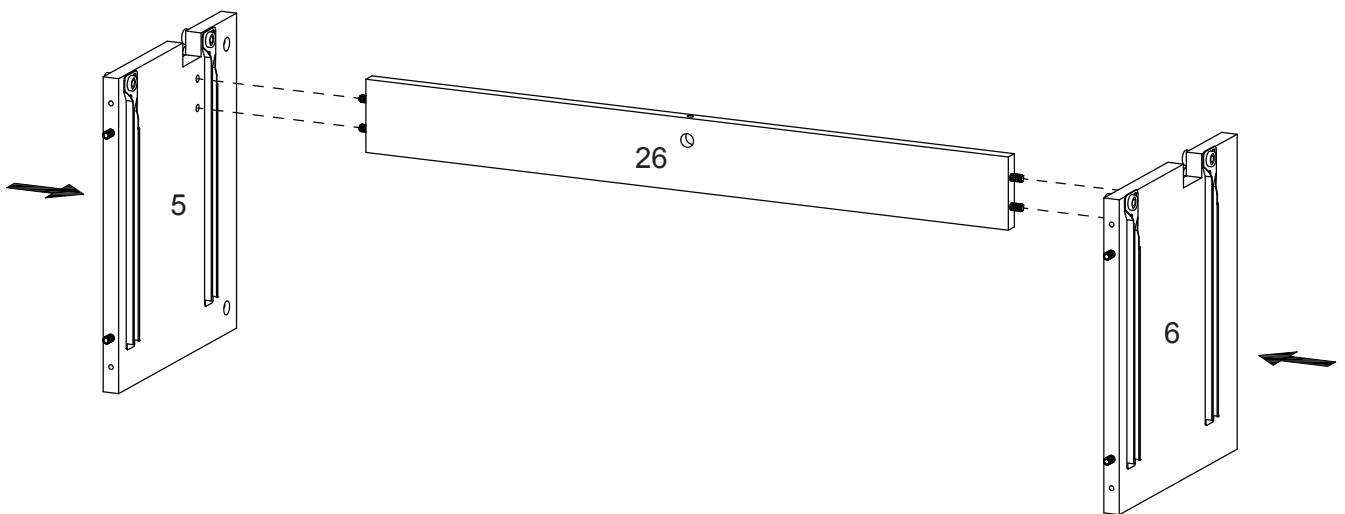
**STEP 2:**



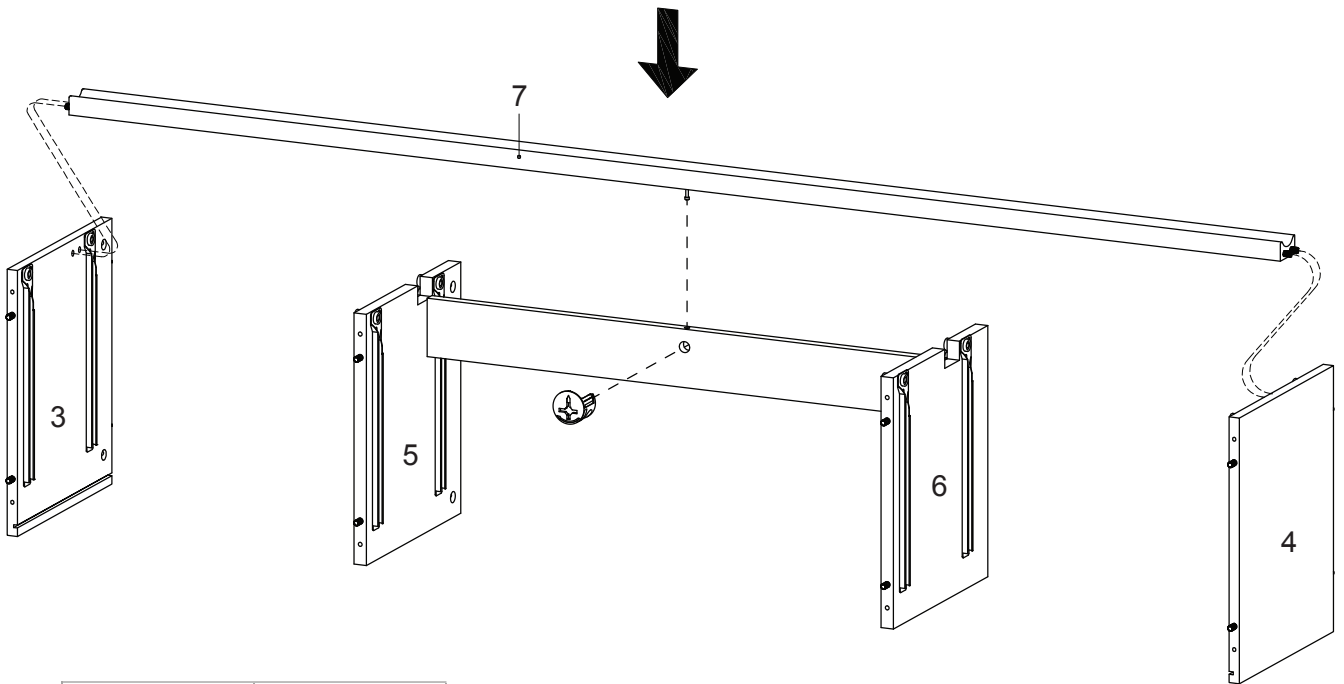
Dx8	Hx4	Kx16	Ox1



Hardware required.  
Screwdriver not included

**STEP 3:**



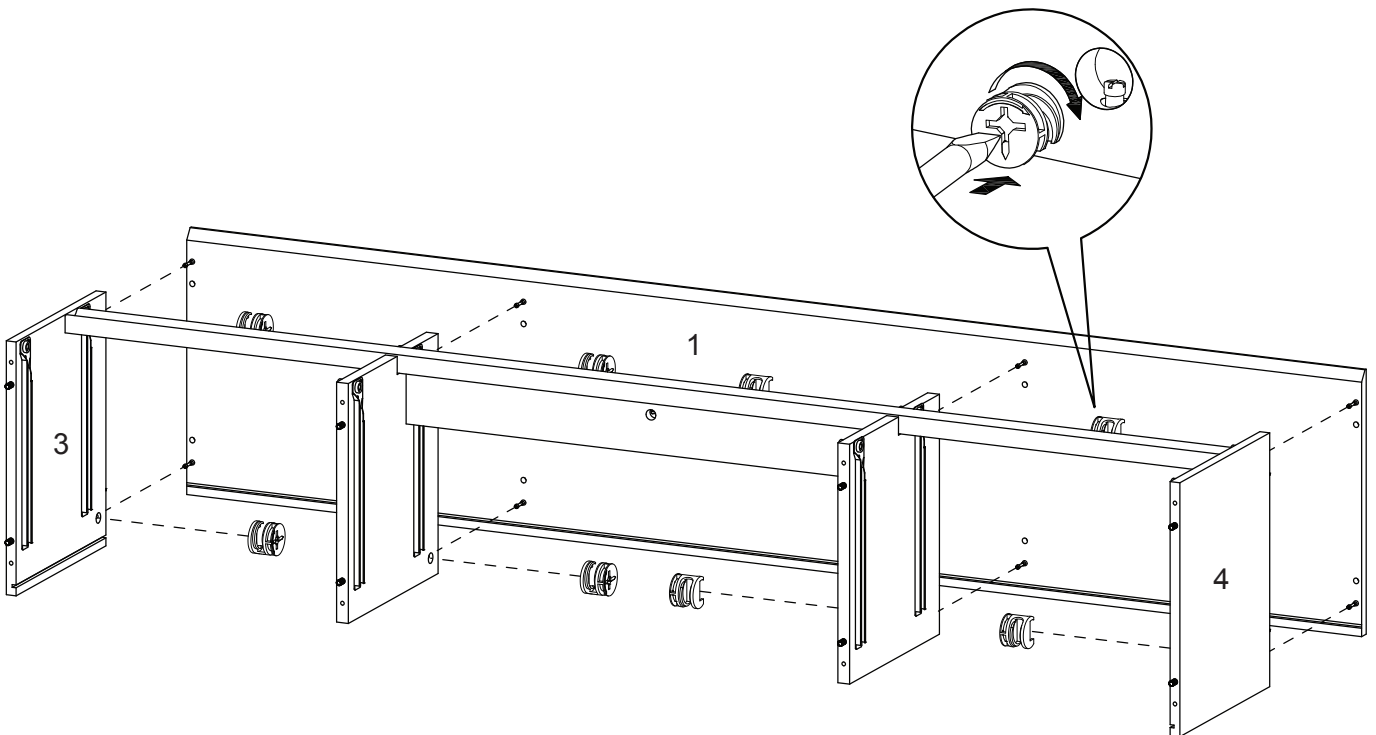
STEP 4:


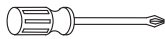


	
Bx1	Ox1

Hardware required.  
Screwdriver not included

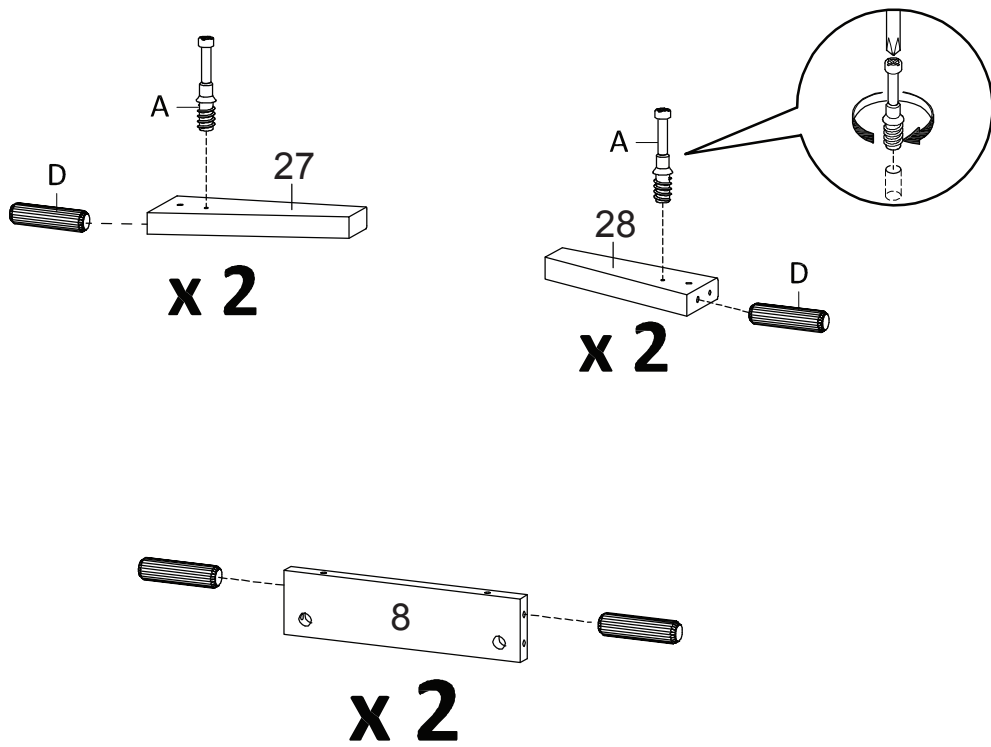
STEP 5:

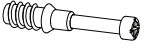

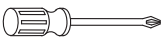


	
Bx8	Ox1

Hardware required.  
Screwdriver not included

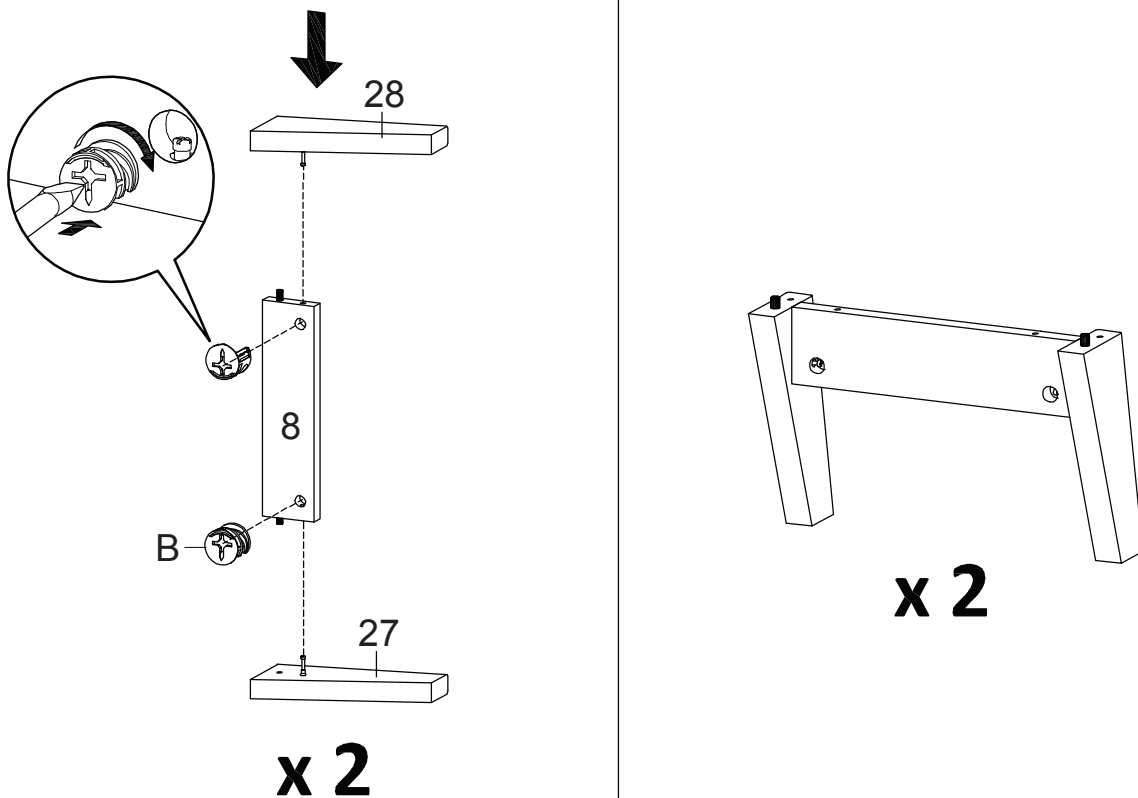
STEP 6:





		
Ax4	Dx8	Ox1

Hardware required.  
Screwdriver not included

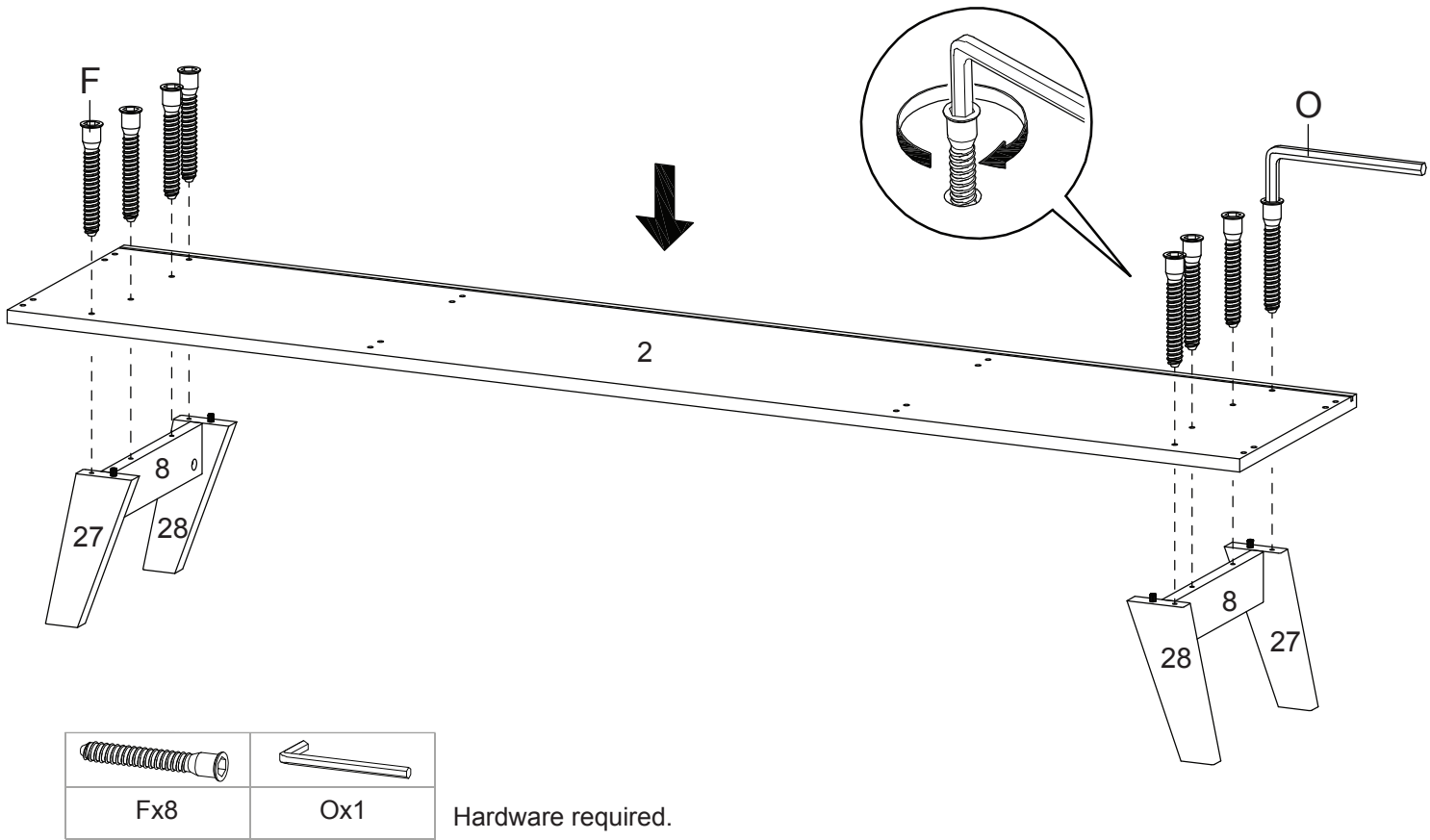
STEP 7:



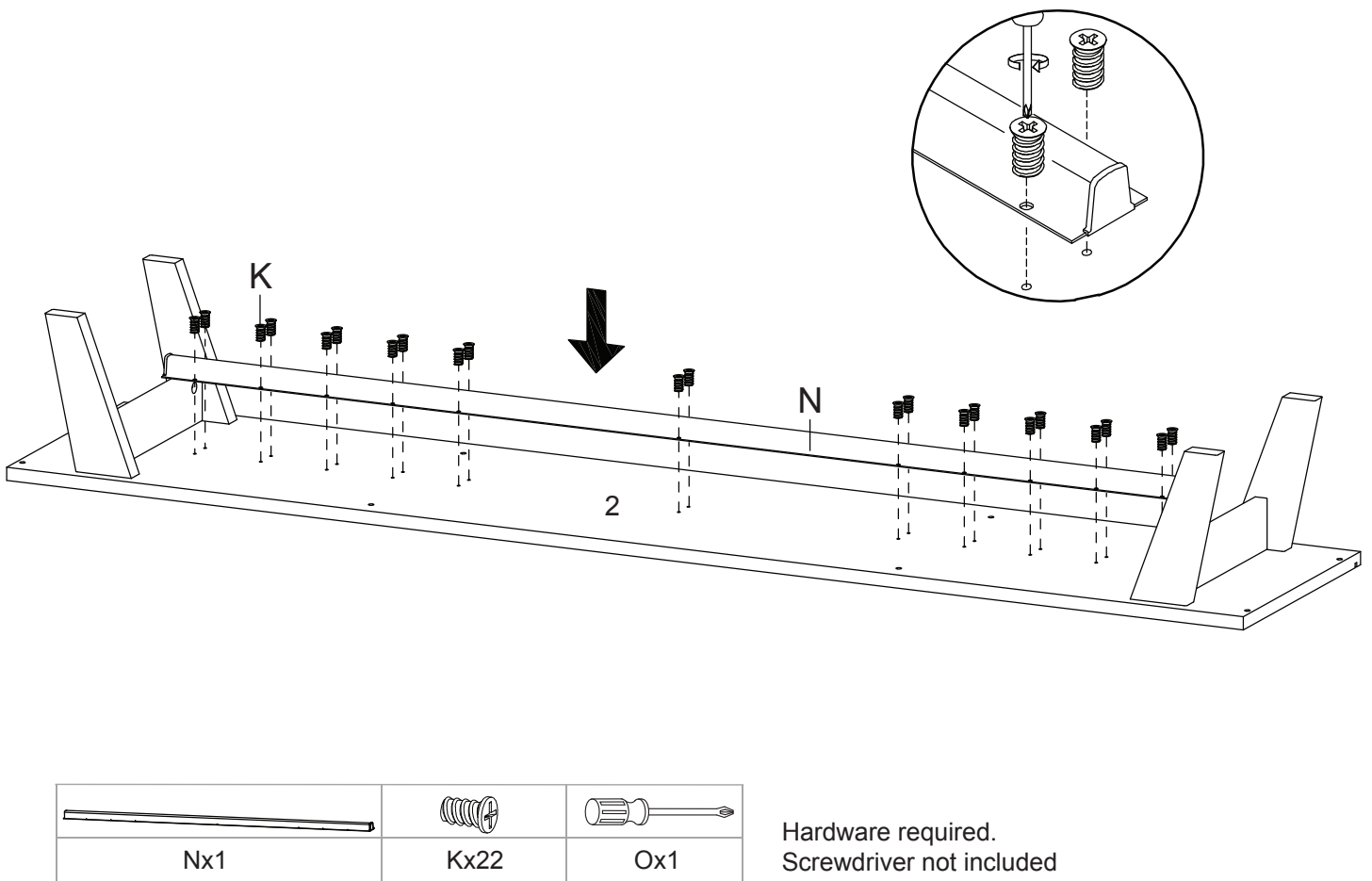
	
Bx4	Ox1

Hardware required.  
Screwdriver not included

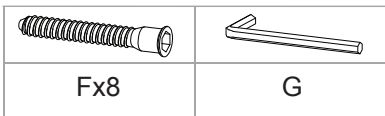
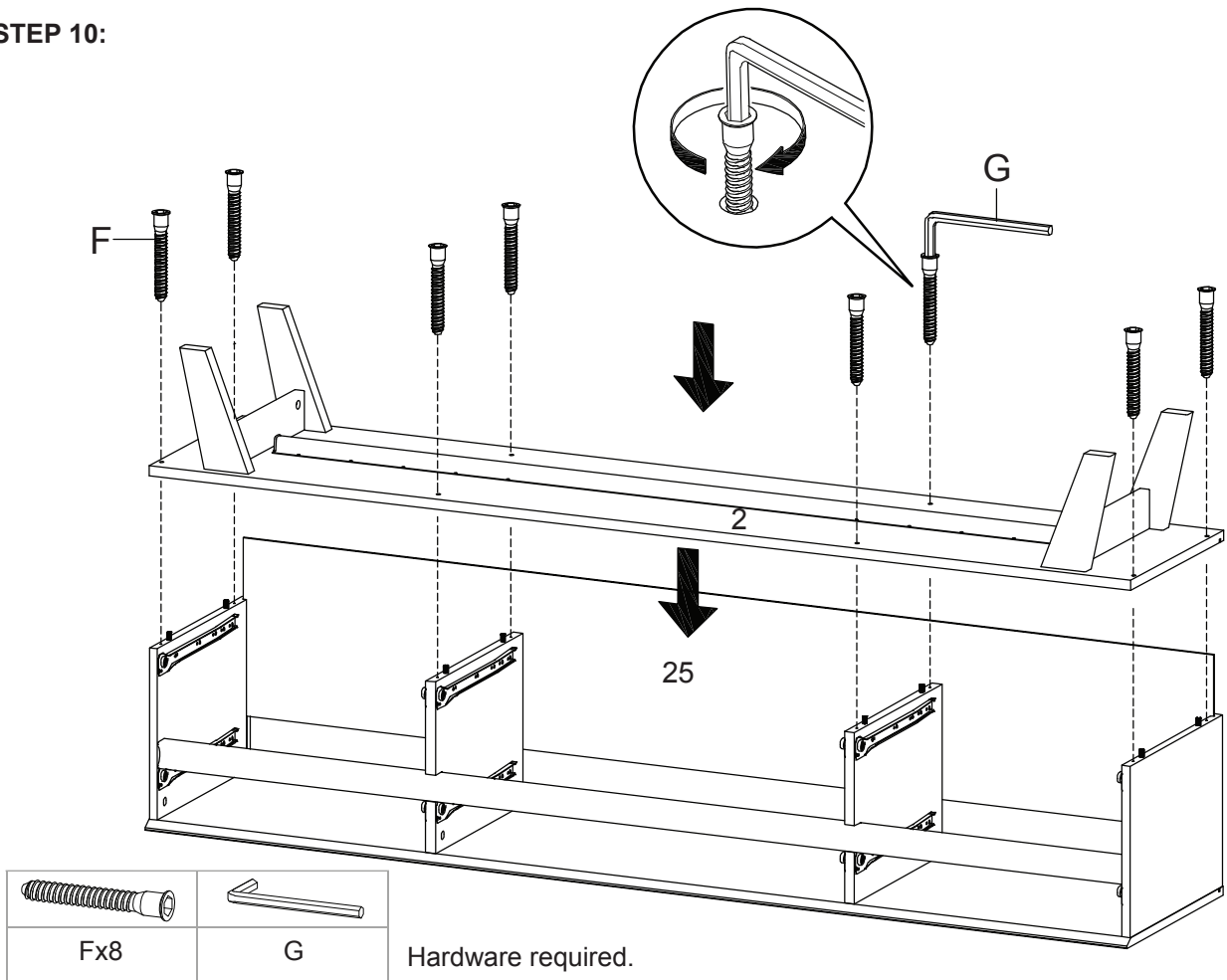
STEP 8:



STEP 9:

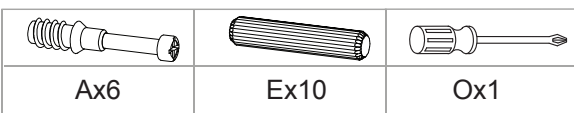
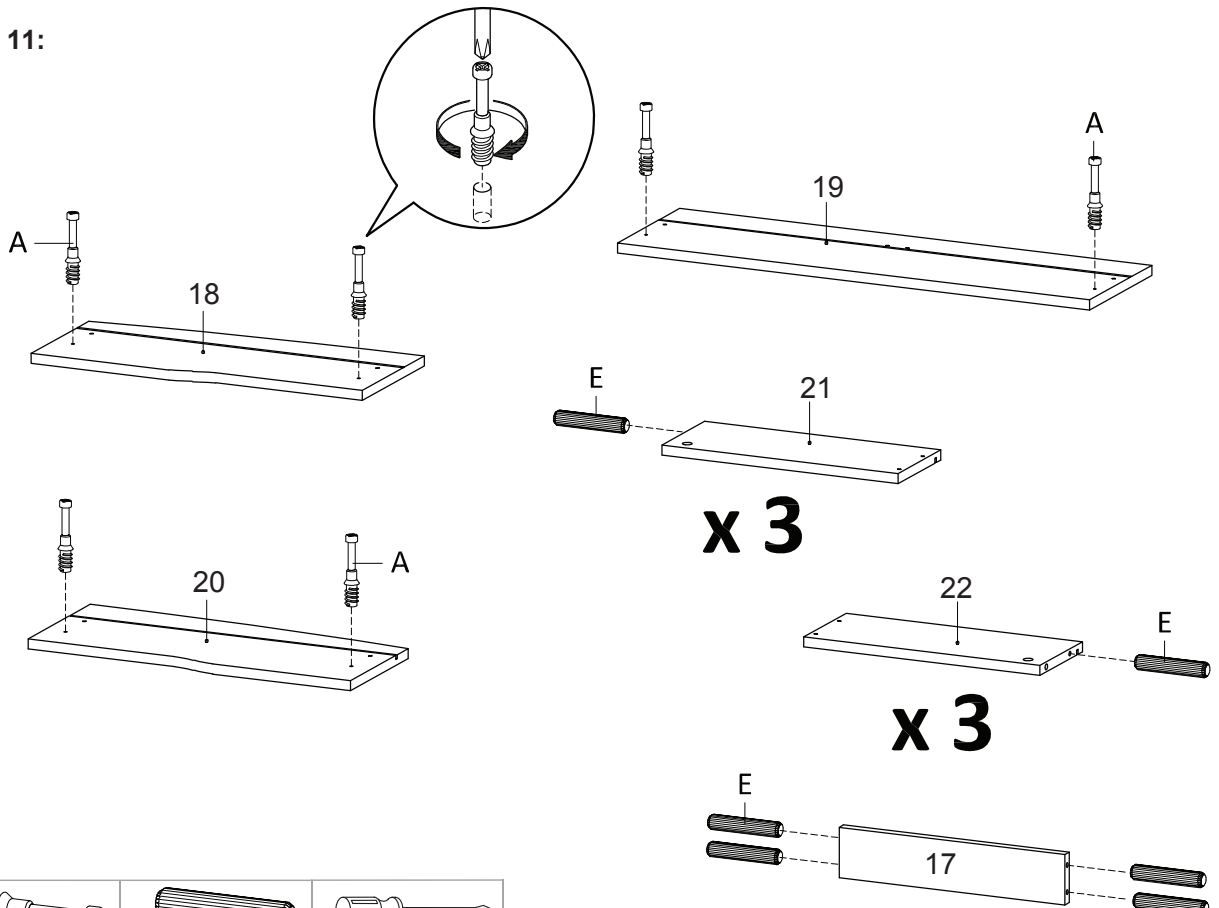


STEP 10:



Hardware required.

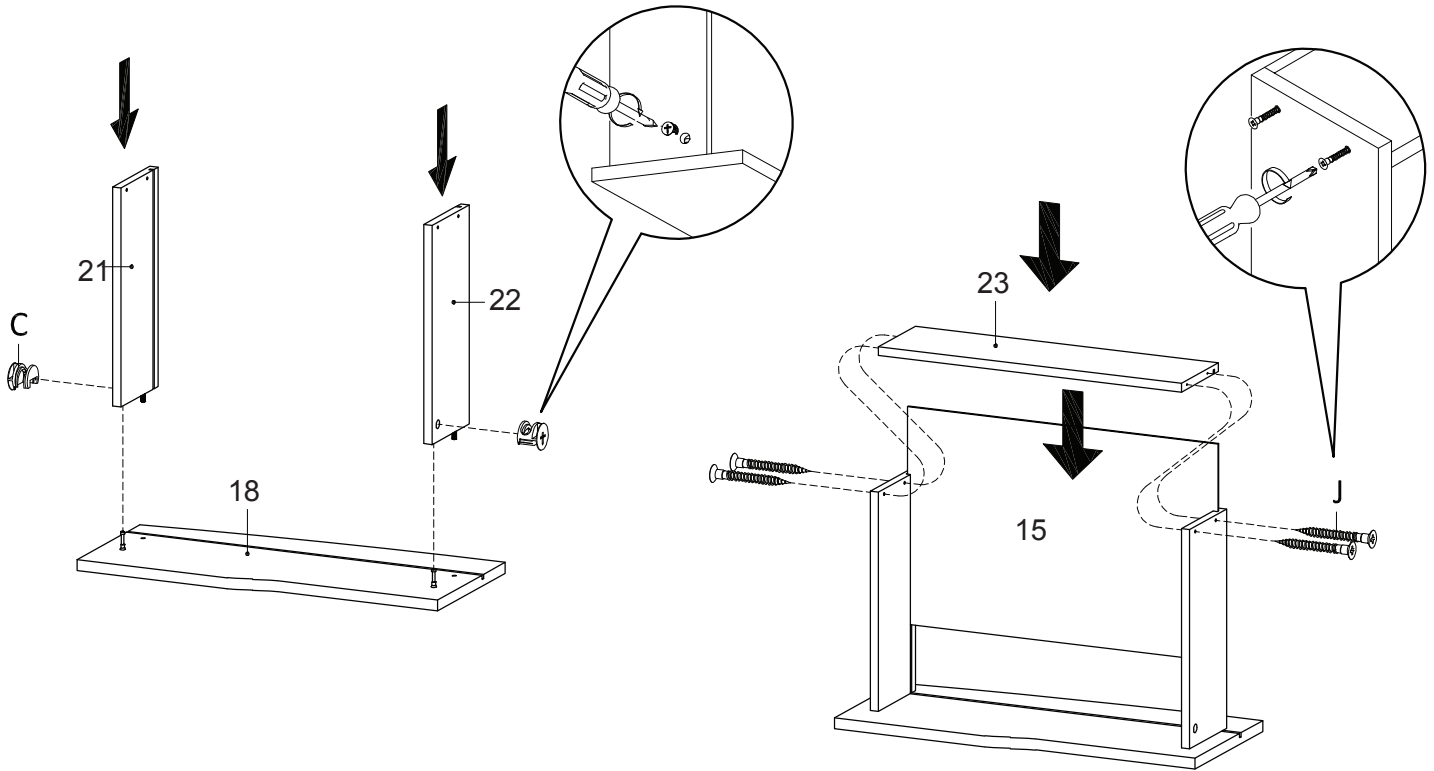
STEP 11:



Hardware required.  
Screwdriver not included



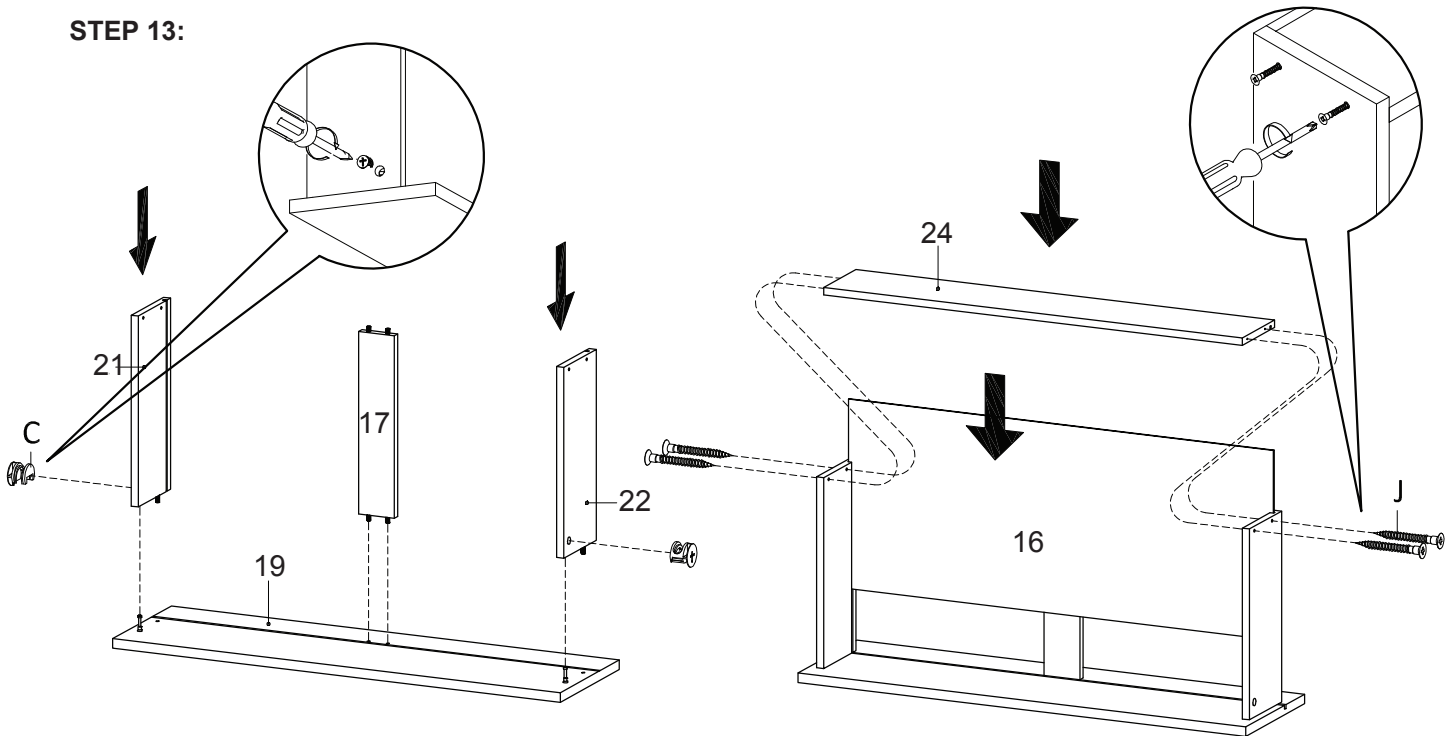
**STEP 12:**



Cx2	Jx4	Ox1

Hardware required.  
Screwdriver not included

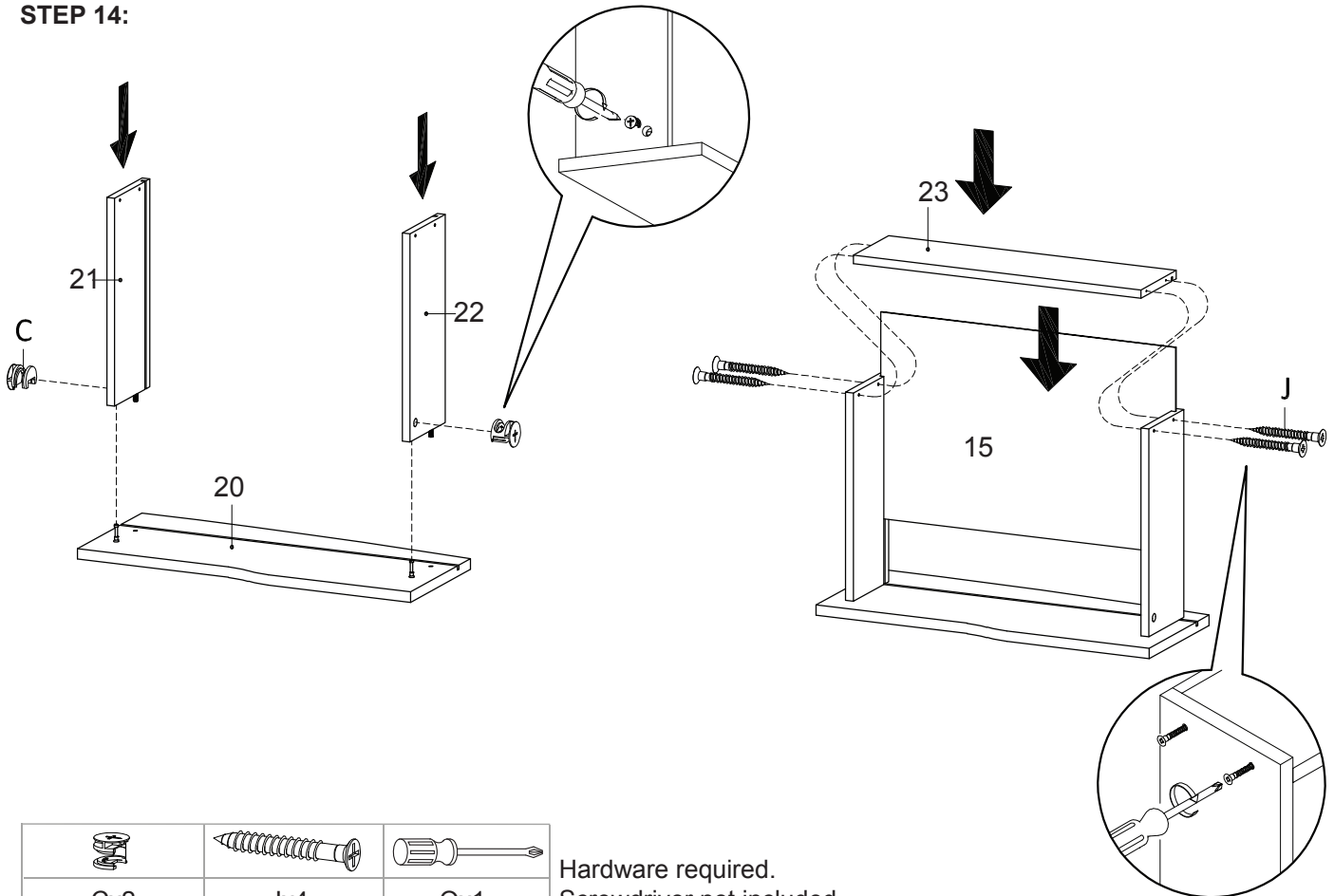
**STEP 13:**



Cx2	Jx4	Ox1

Hardware required.  
Screwdriver not included

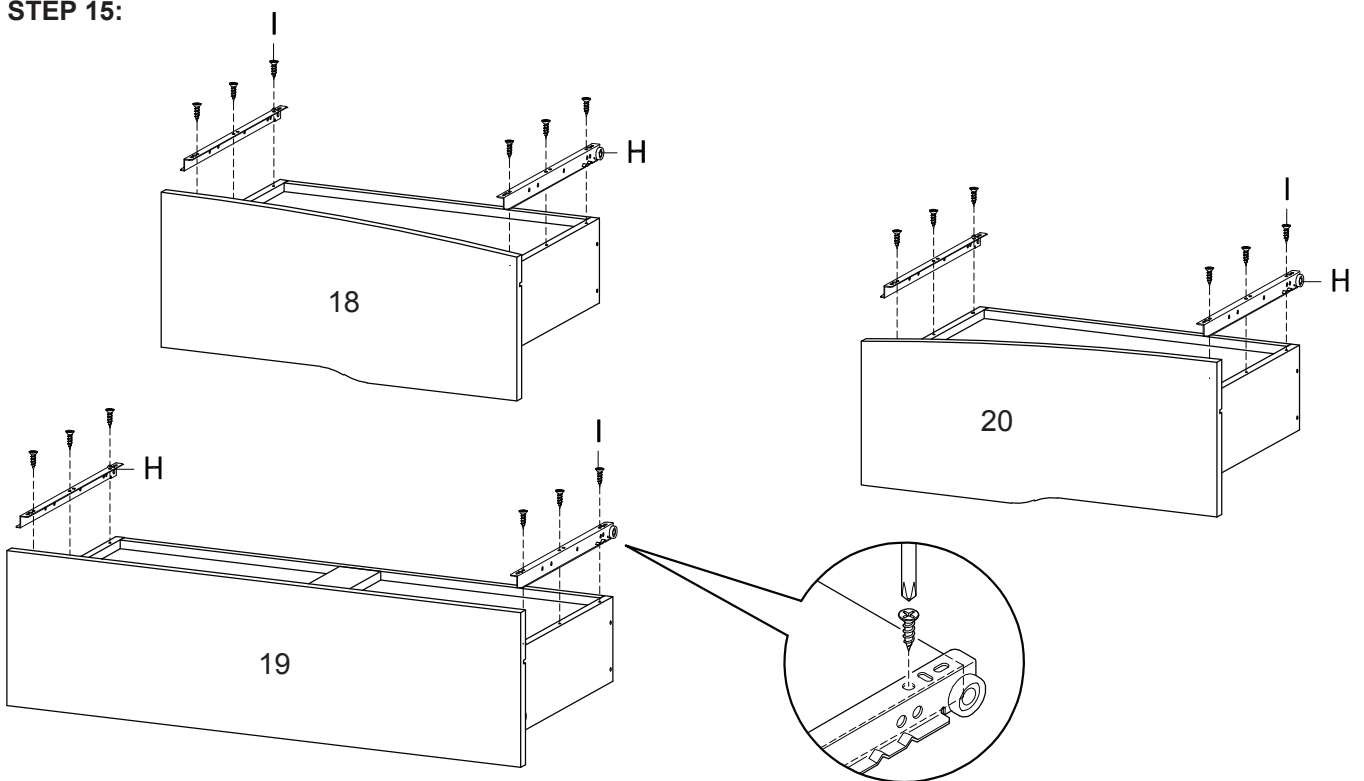
STEP 14:



Cx2	Jx4	Ox1

Hardware required.  
Screwdriver not included

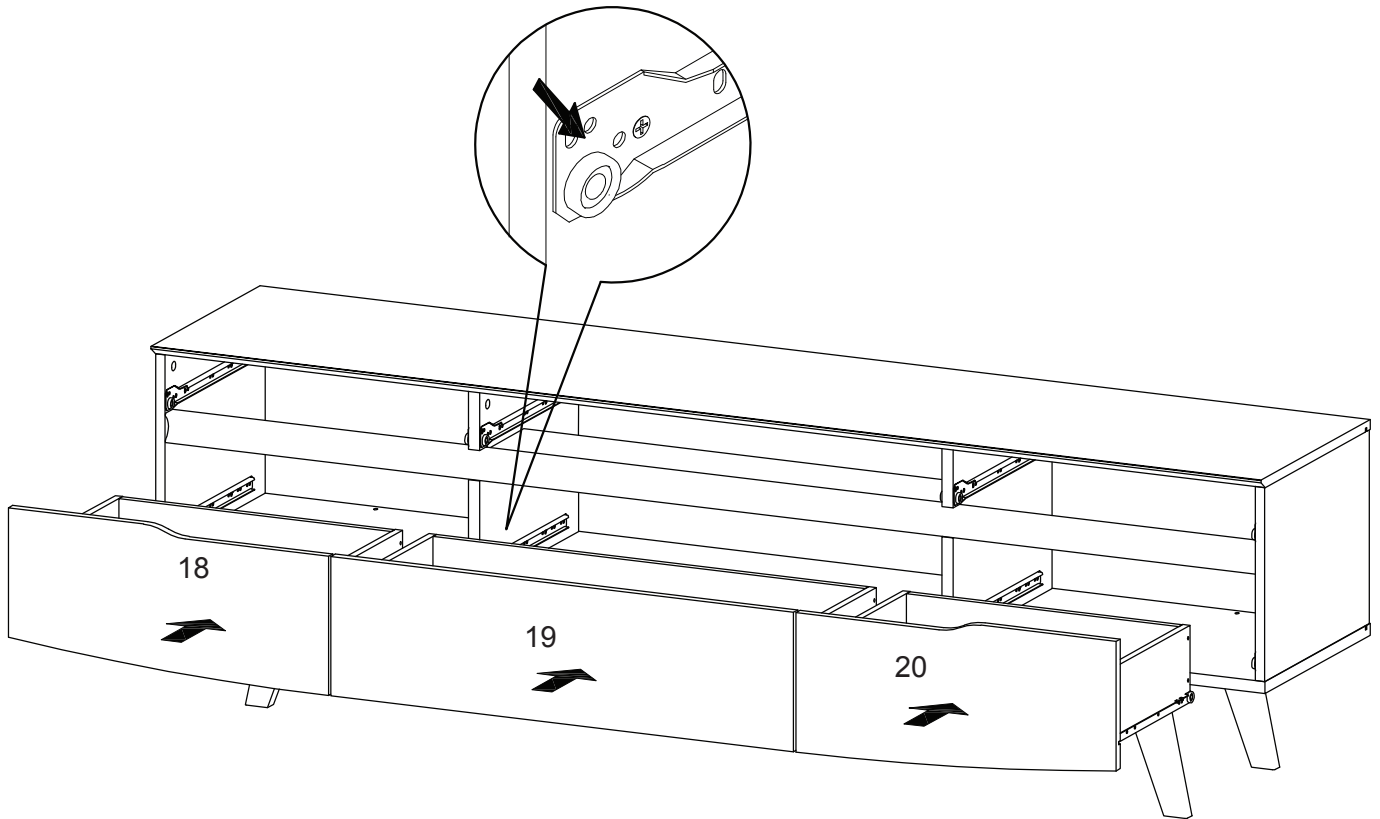
STEP 15:



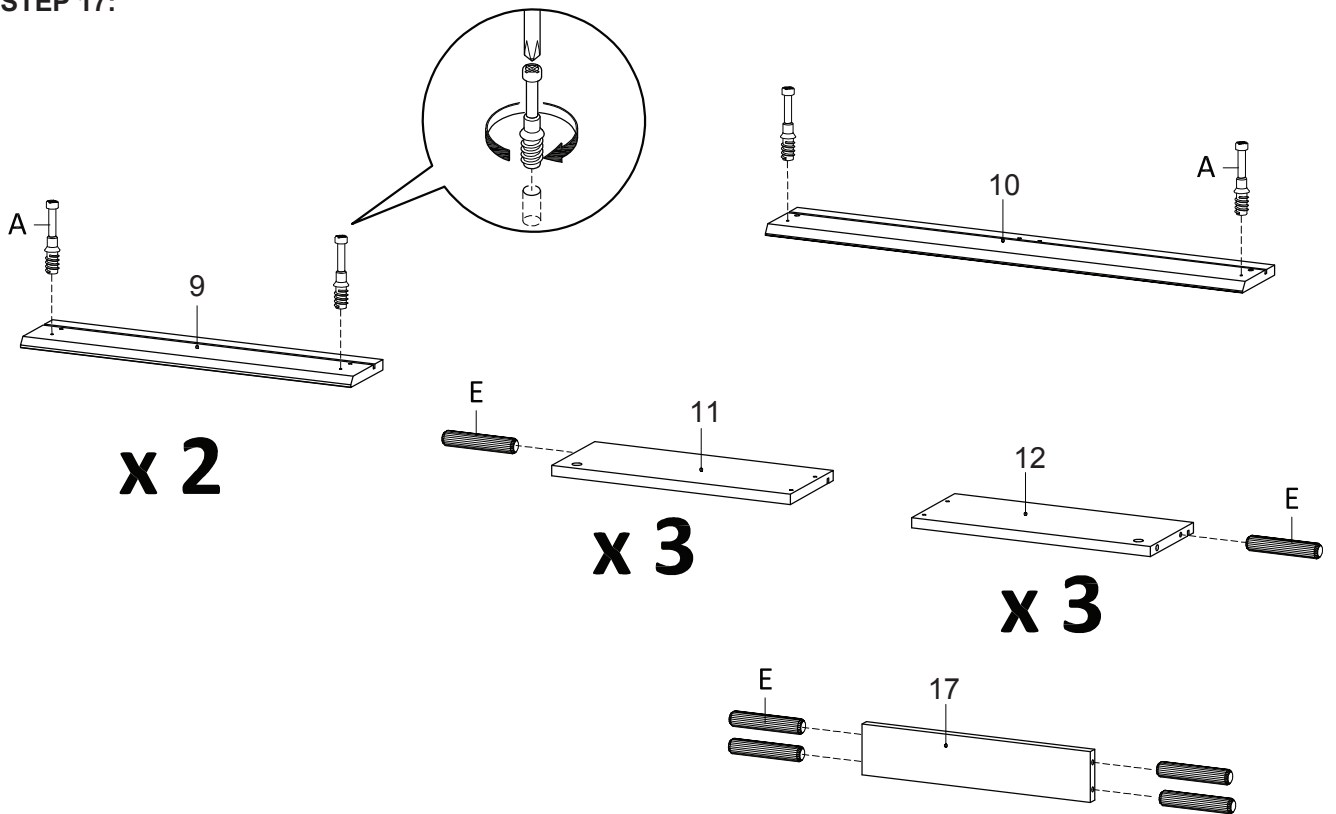
Hx3	Ix18	Ox1

Hardware required.  
Screwdriver not included

STEP 16:



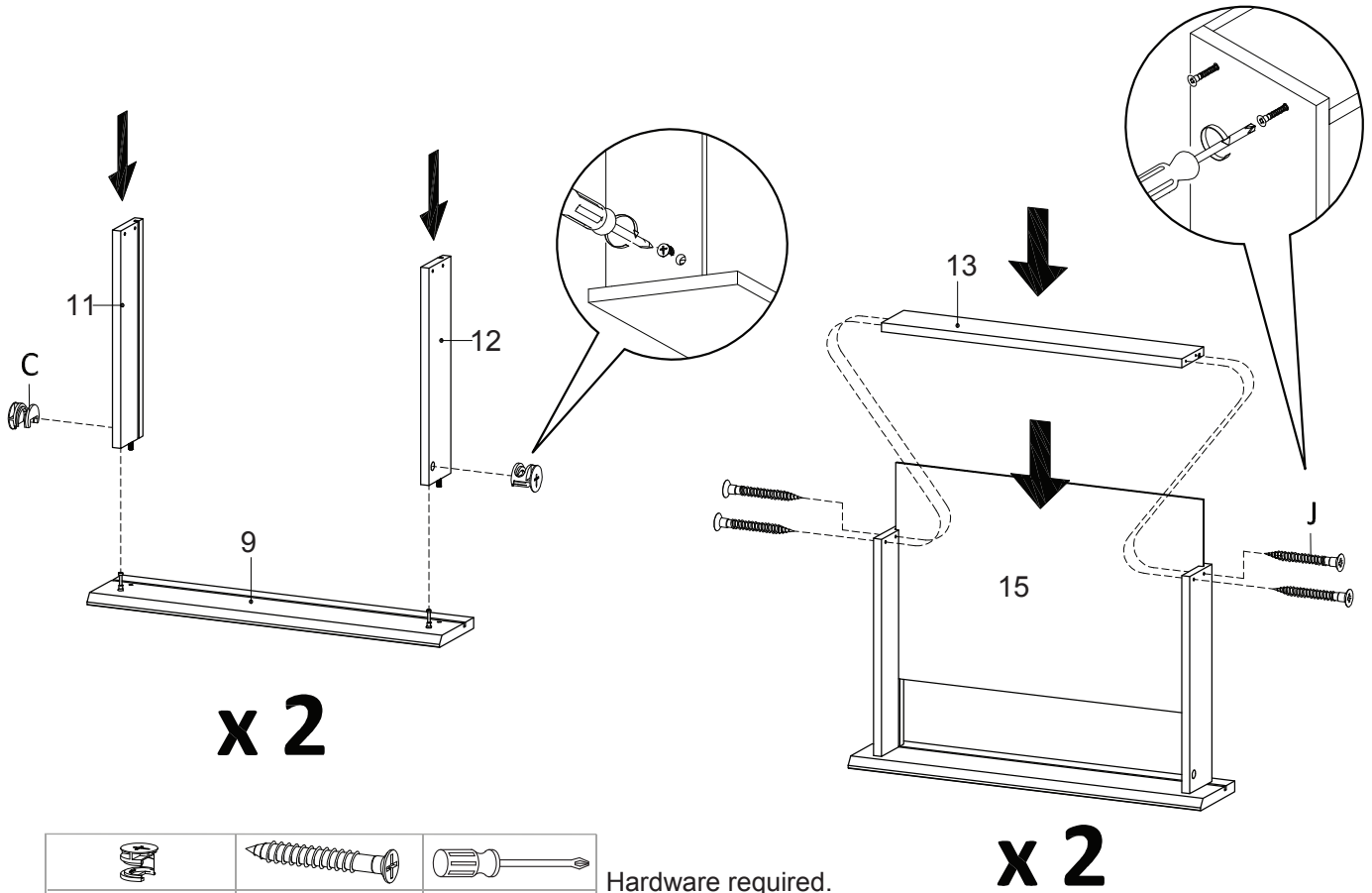
STEP 17:



Ax6	Ex10	Ox1

Hardware required.  
Screwdriver not included

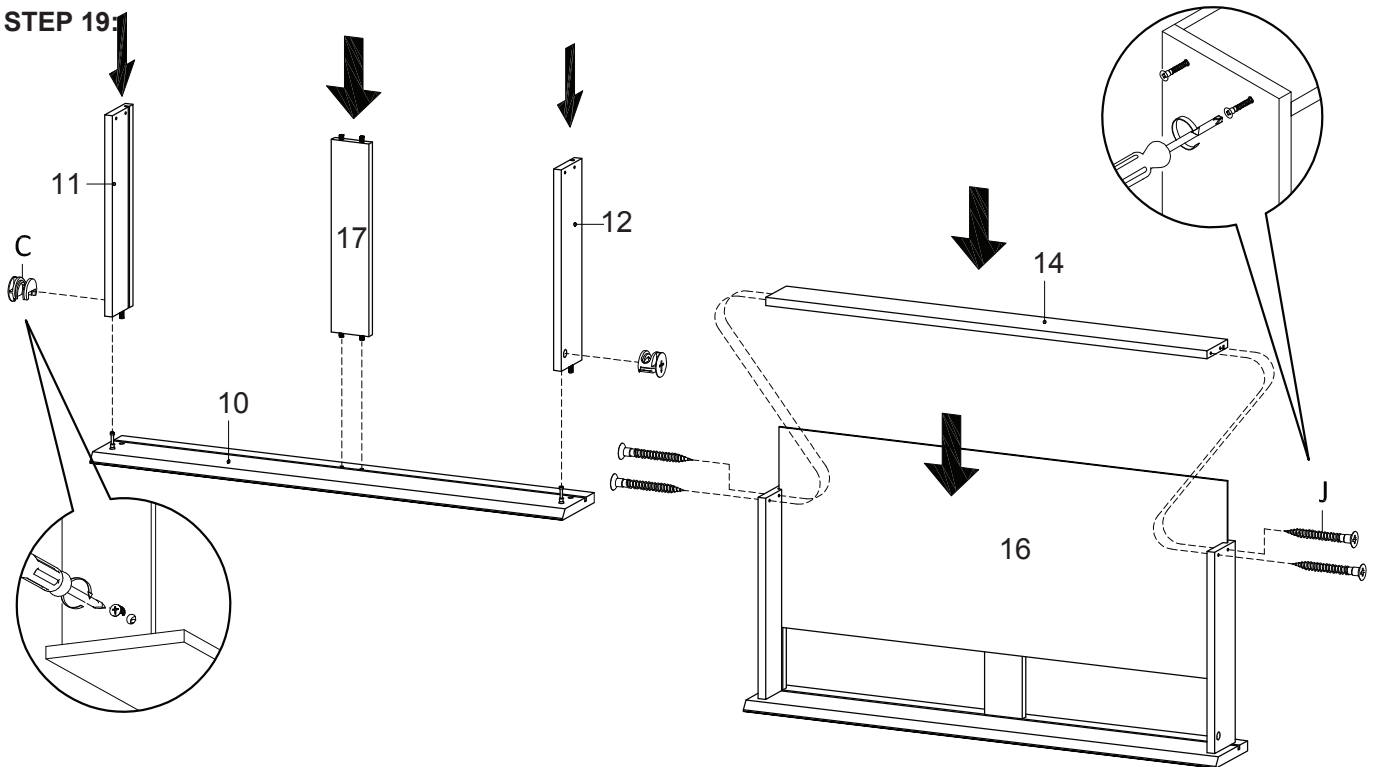
STEP 18:



Cx4	Jx8	Ox1

Hardware required.  
Screwdriver not included

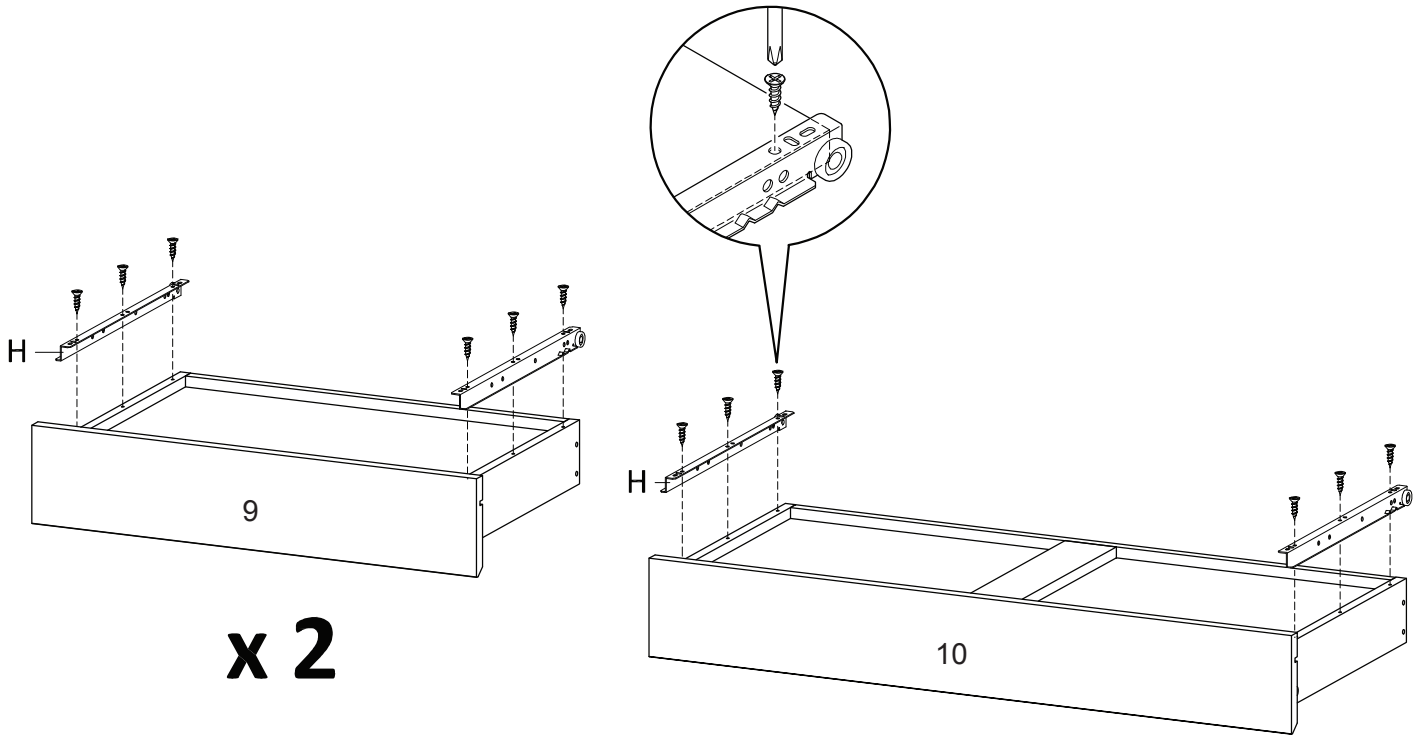
STEP 19:



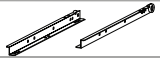

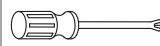
Cx2	Jx4	Ox1

Hardware required.  
Screwdriver not included

STEP 20:

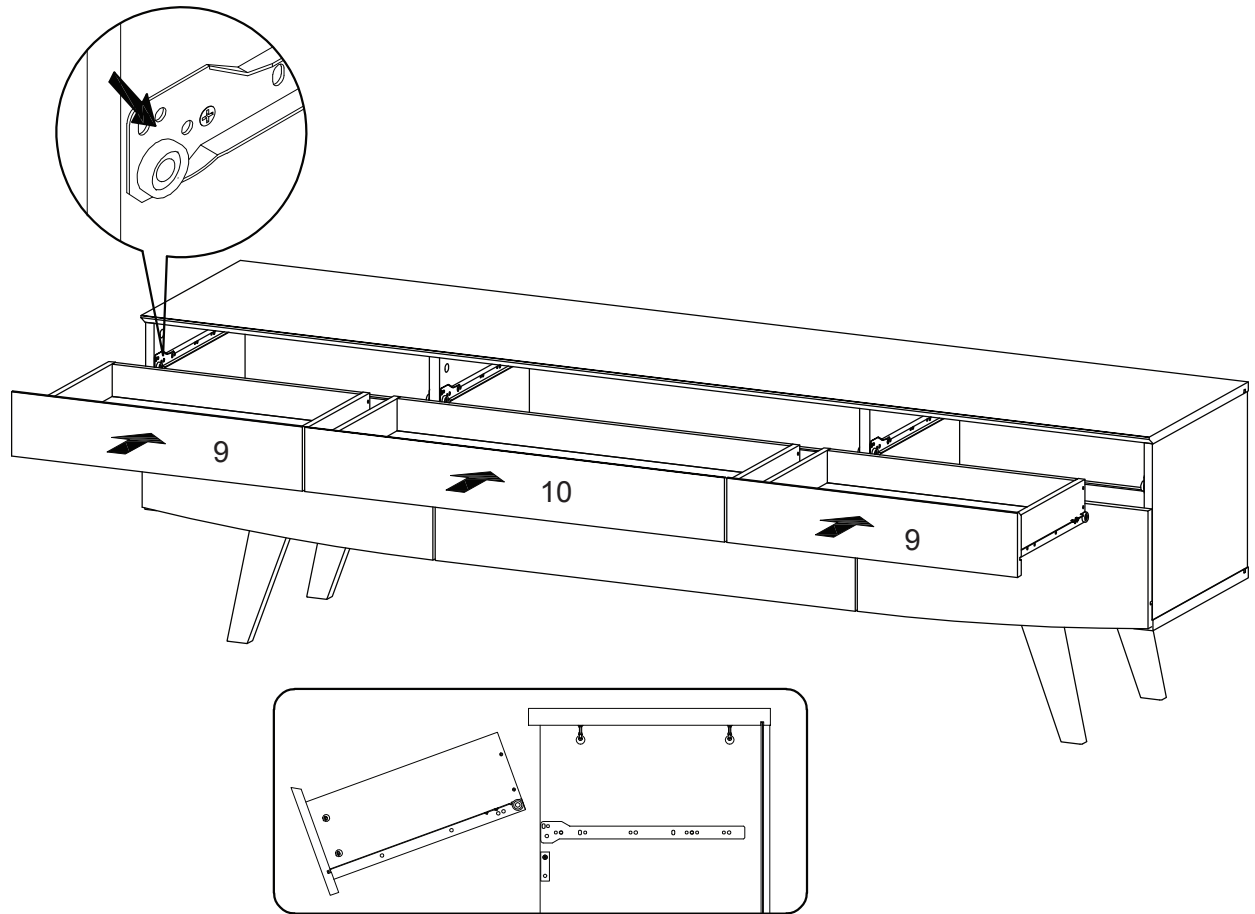


x 2

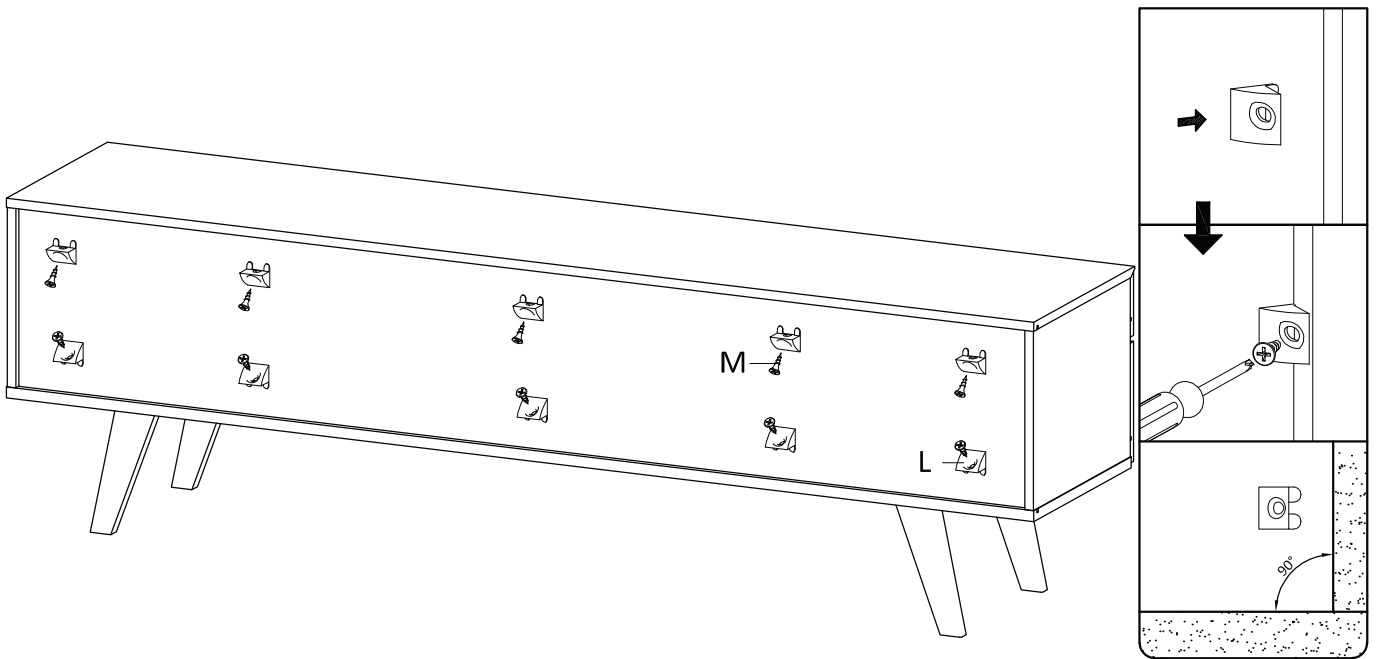
		
Hx3	lx18	Ox1



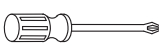
Hardware required.  
Screwdriver not included

STEP 21:



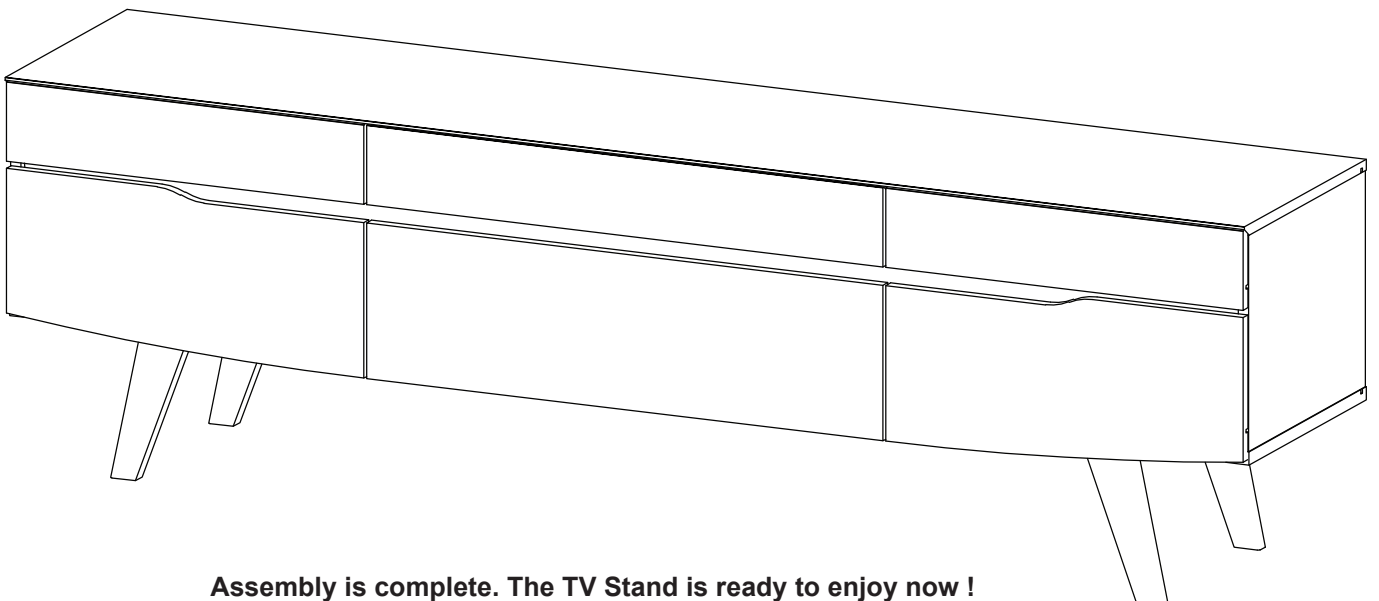
STEP 22:



		
Lx10	Mx10	Ox1

Hardware required.  
Screwdriver not included

STEP 23:



Assembly is complete. The TV Stand is ready to enjoy now !

