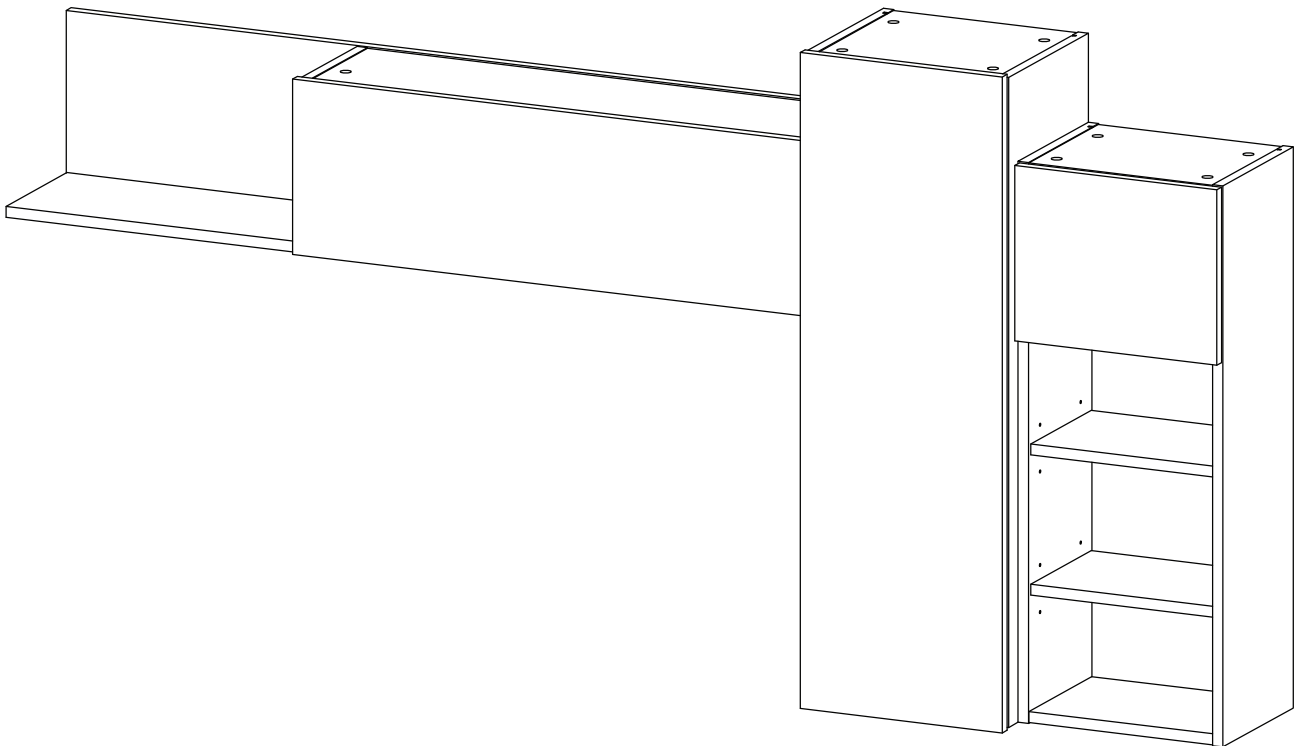


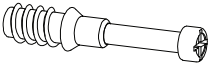

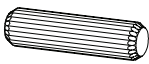
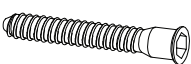

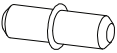



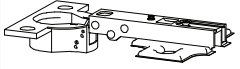

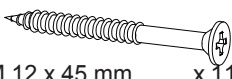
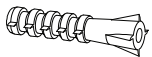

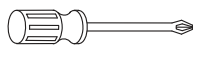
Thank you for purchasing the **MODWAY WALL UNIT** !

Before you start, here are some helpful advice:

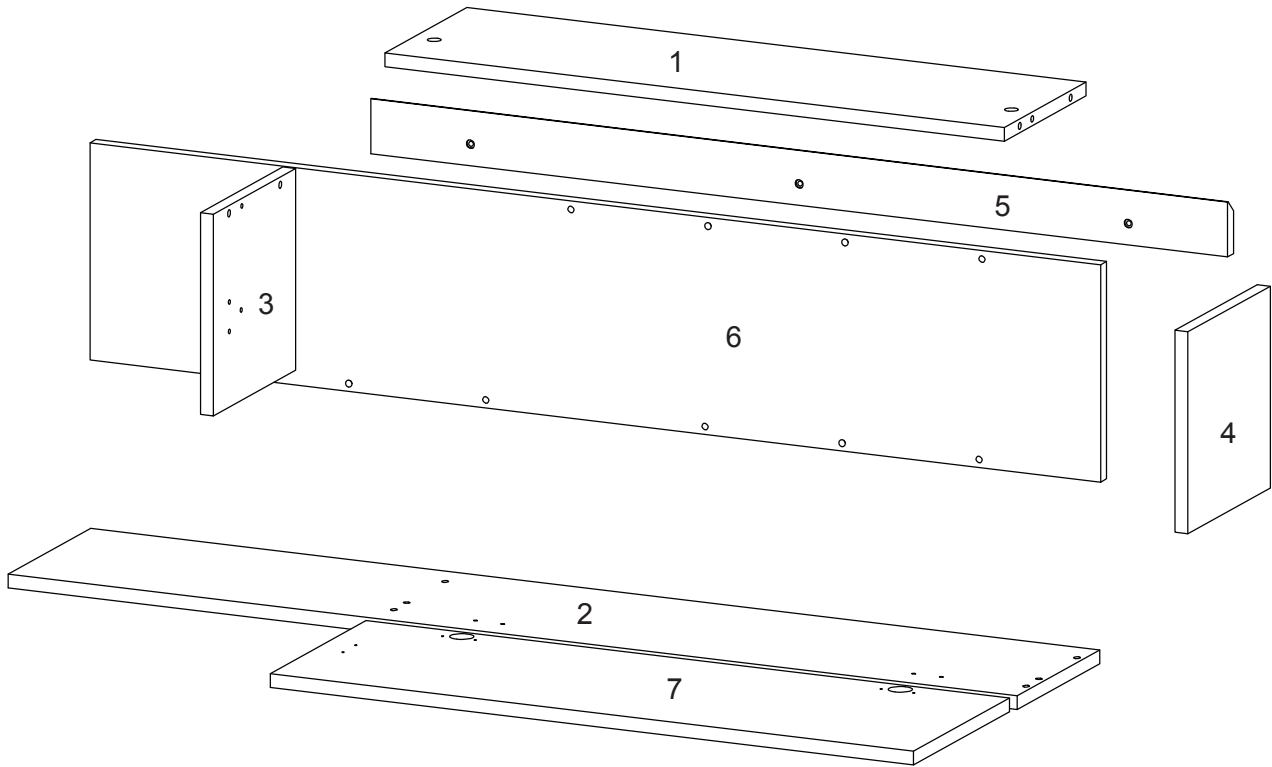
1. We suggest you spend a short time reading through this leaflet and then follow the simple step-by-step instructions.
2. Owing to the size and weight of the Wall Unit, we recommend that it is assembled by two adults, on a carpeted or padded area, in the room that it is intended for. Approximate assembly time: 60 minutes.
3. Please do not use any tools other than those provided or recommended in these instructions.
4. Please do not throw away any of the packaging or instructions until you have checked all the components and hardware and the furniture is fully assembled.
5. Assemble all components loosely until advised to tighten. Depending on use, it may be necessary to tighten the components from time to time, so please save the tools that have been provided.
6. Please keep all pieces out of reach of children.



Hardware :

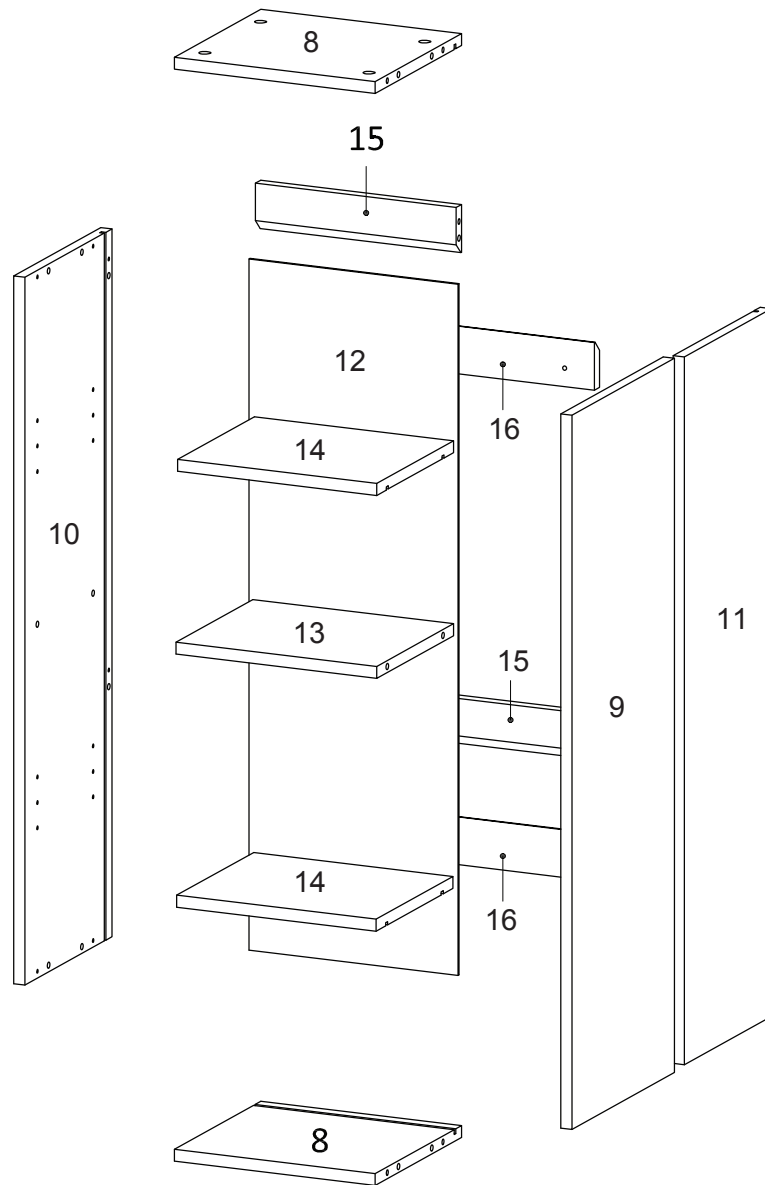
A) Cambolt/Metal  \varnothing 6 x 35 mm x 30	B) CamLock/Metal  \varnothing 15 mm x 30	C) Dowel/Wood  \varnothing 8 x 30 mm x 38	D) Screw/Metal  M 7 x 50 mm x 8	E) Key/Metal  L 4 x 1
F) Shelf Pin/Metal  \varnothing 5 x 15 mm x 16	G) Buffer/Rubber  \varnothing 8 mm x 4	H) Screw/Metal  M 3.5 x 13 mm x 14	I) Screw/Metal  M 6.5 x 12 mm x 3	J) Hinge/Metal  81 x 51 x 11 mm x 6
K) Screw/Metal  M 6.5 x 10.5 mm x 12	L) Screw/Metal  M 12 x 45 mm x 11	M) Fisher/Plastic  SO 02 x 11	N) Lid Stay/Plastic,Metal  207x45.6x20.5 mm x 1	O) Screwdriver (Not Include) 

Components:



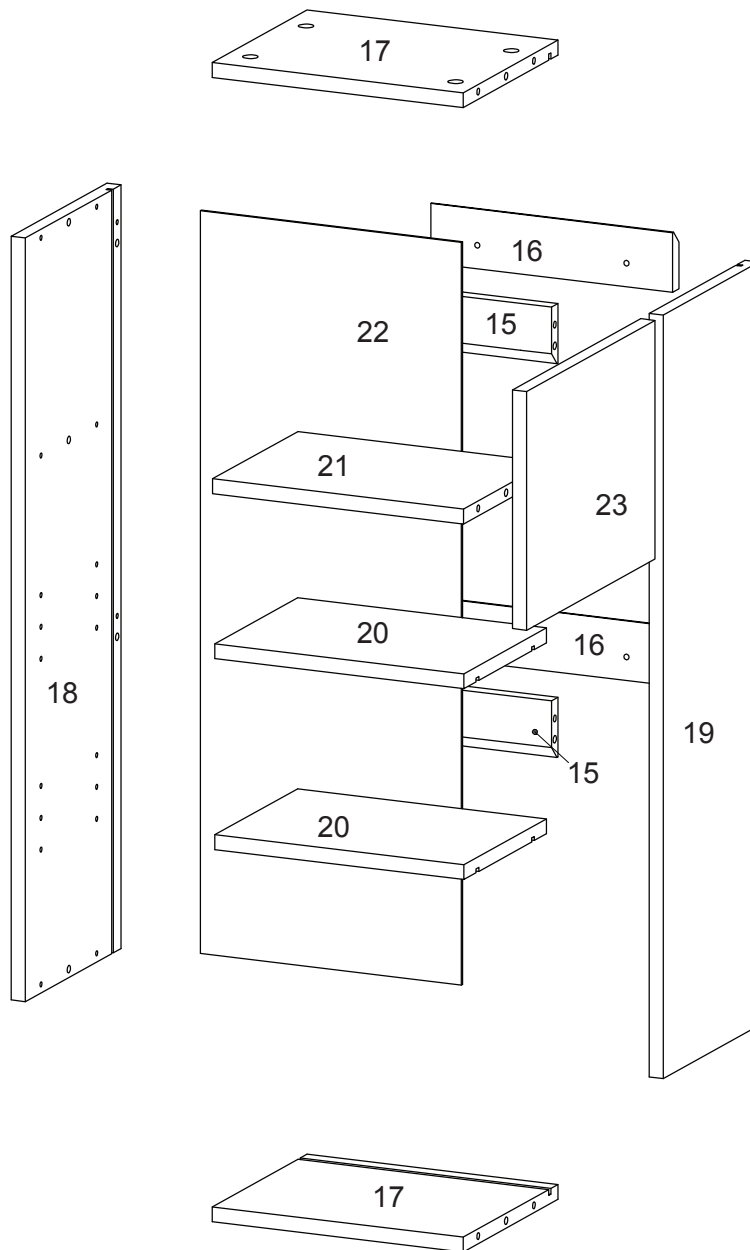
1	Top Board	x1	2	Bottom Board	x1	3	Side Board Left	x1	4	Side Board Right	x1
5	Support Board	x1	6	Back Board	x1	7	Wooden Door	x1			

Components:



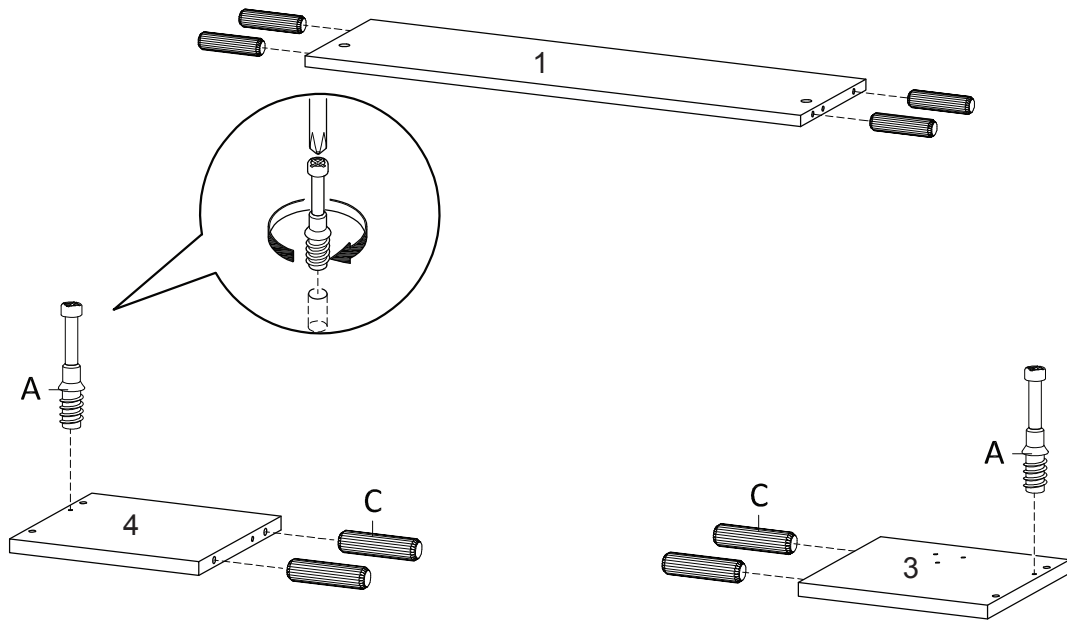
8	Top Board	x2	9	Wooden Door	x1	10	Side Board Left	x1	11	Side Board Right	x1
12	Back Board	x1	13	Fixed Shelf	x1	14	Adjustable Shelf	x2	15	Support Board 1	x2
16	Support Board 2	x2									

Components:



15 Support Board 1	x2	16 Support Board 2	x2	17 Top Board	x2	18 Side Board Left	x1
19 Side Board Right	x1	20 Adjustable Shelf	x2	21 Fixed Shelf	x1	22 Back Board	x1
23 Wooden Door	x1						

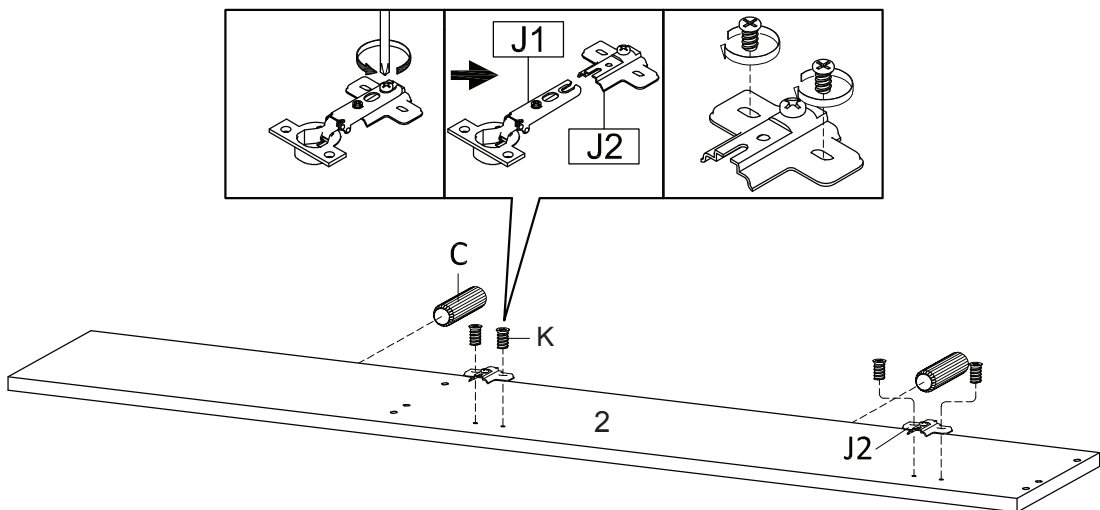
STEP 1:



Ax2	Cx8	Ox1

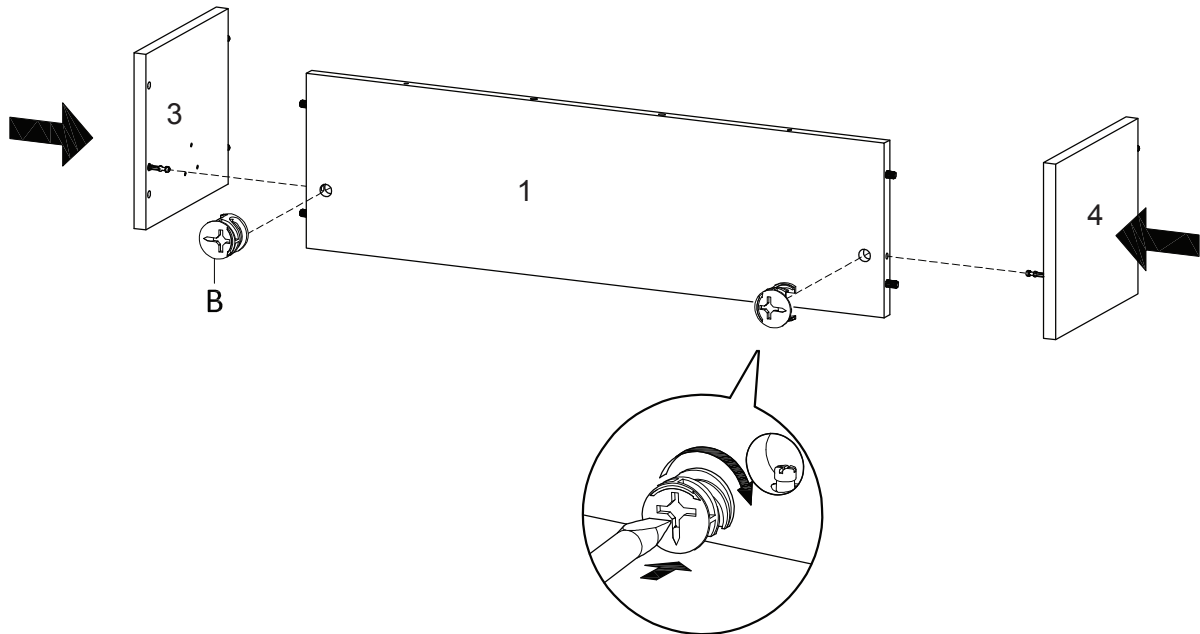
Hardware required.
Screwdriver not included



STEP 2:



Cx2	Kx4	Jx2	Ox1

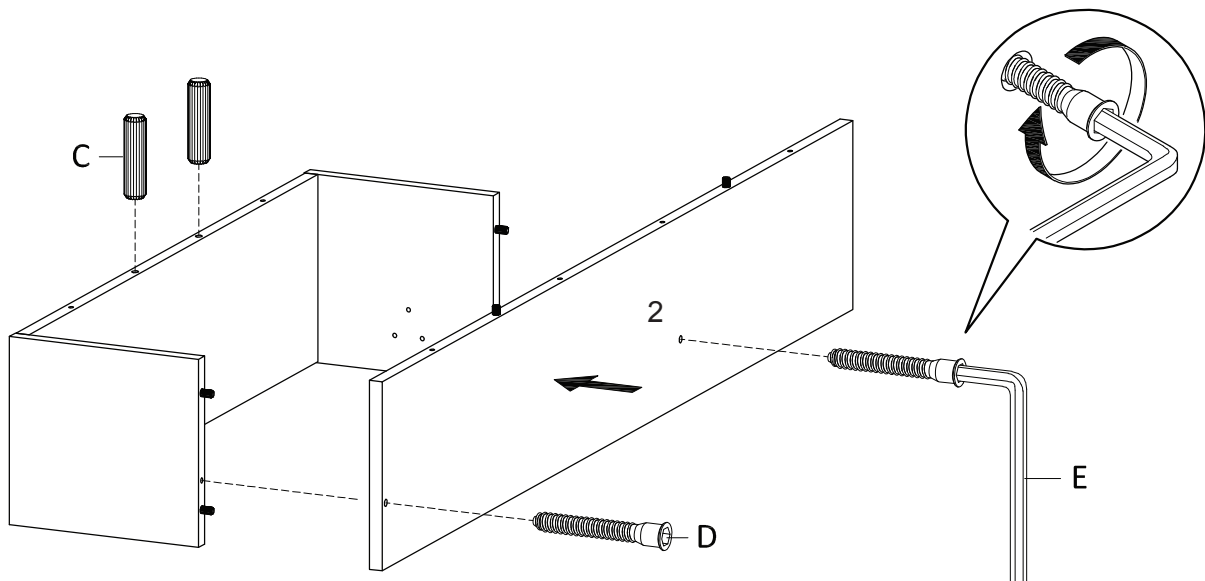
STEP 3:

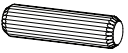
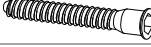



	
Bx2	Ox1

Hardware required.
Screwdriver not included

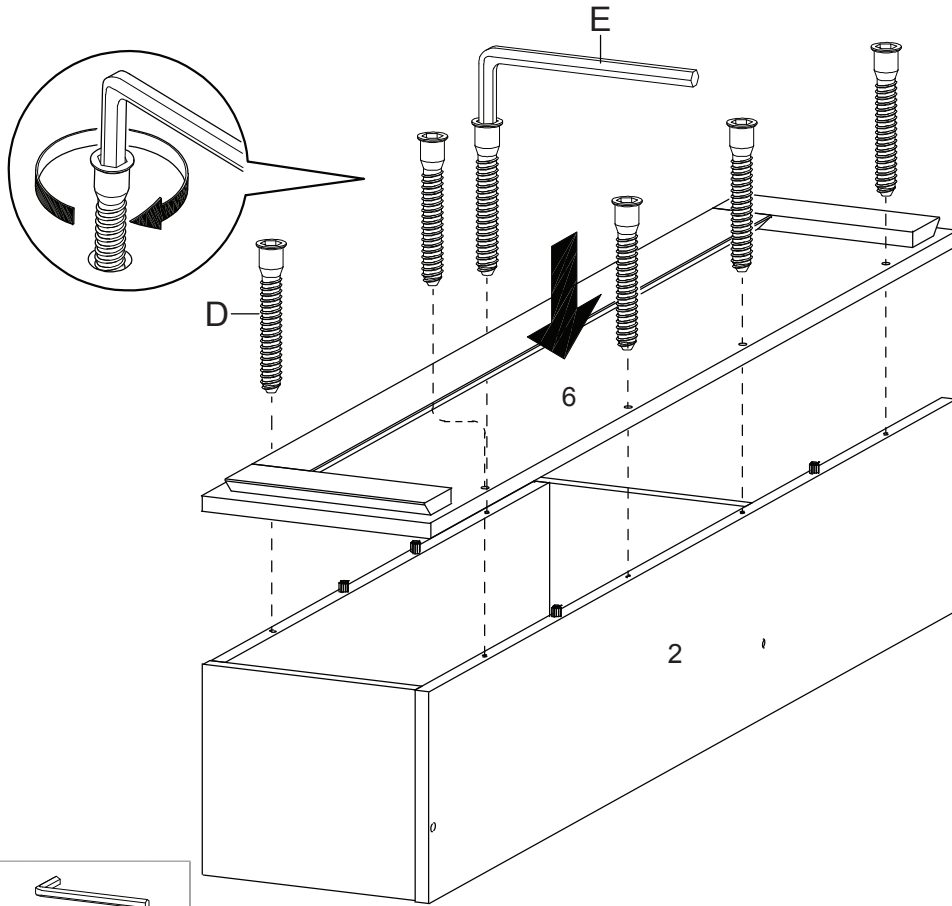
STEP 4:



		
Cx2	Dx2	Ex1

Hardware required.

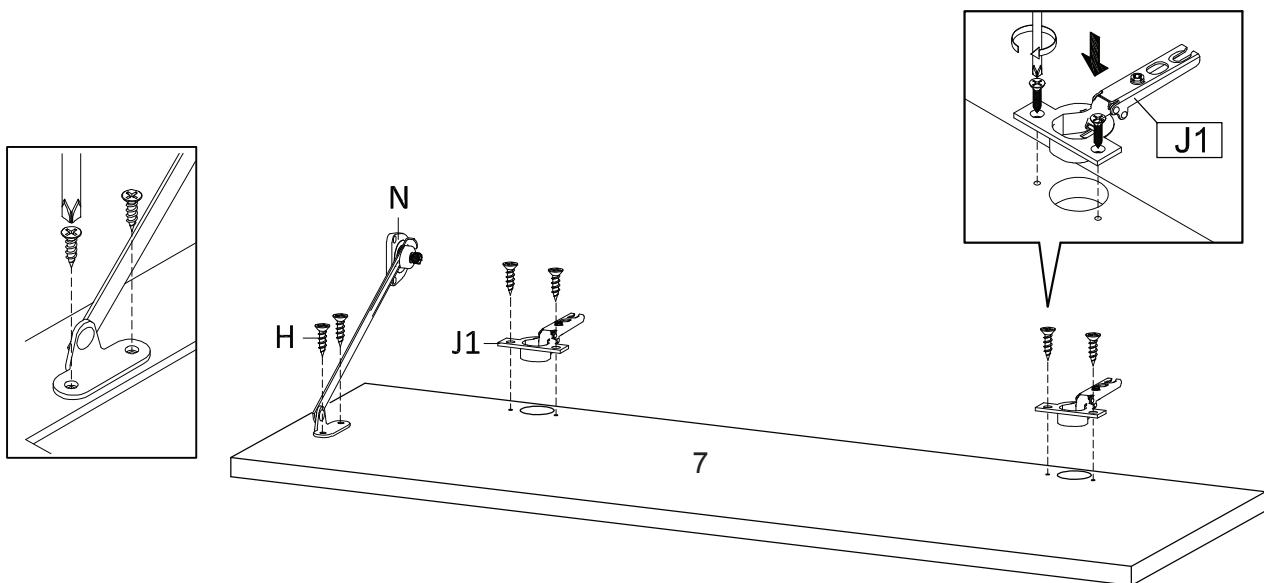
STEP 5:



Dx6	E

Hardware required.

STEP 6:



Hx6	Jx2	Nx1	Ox1

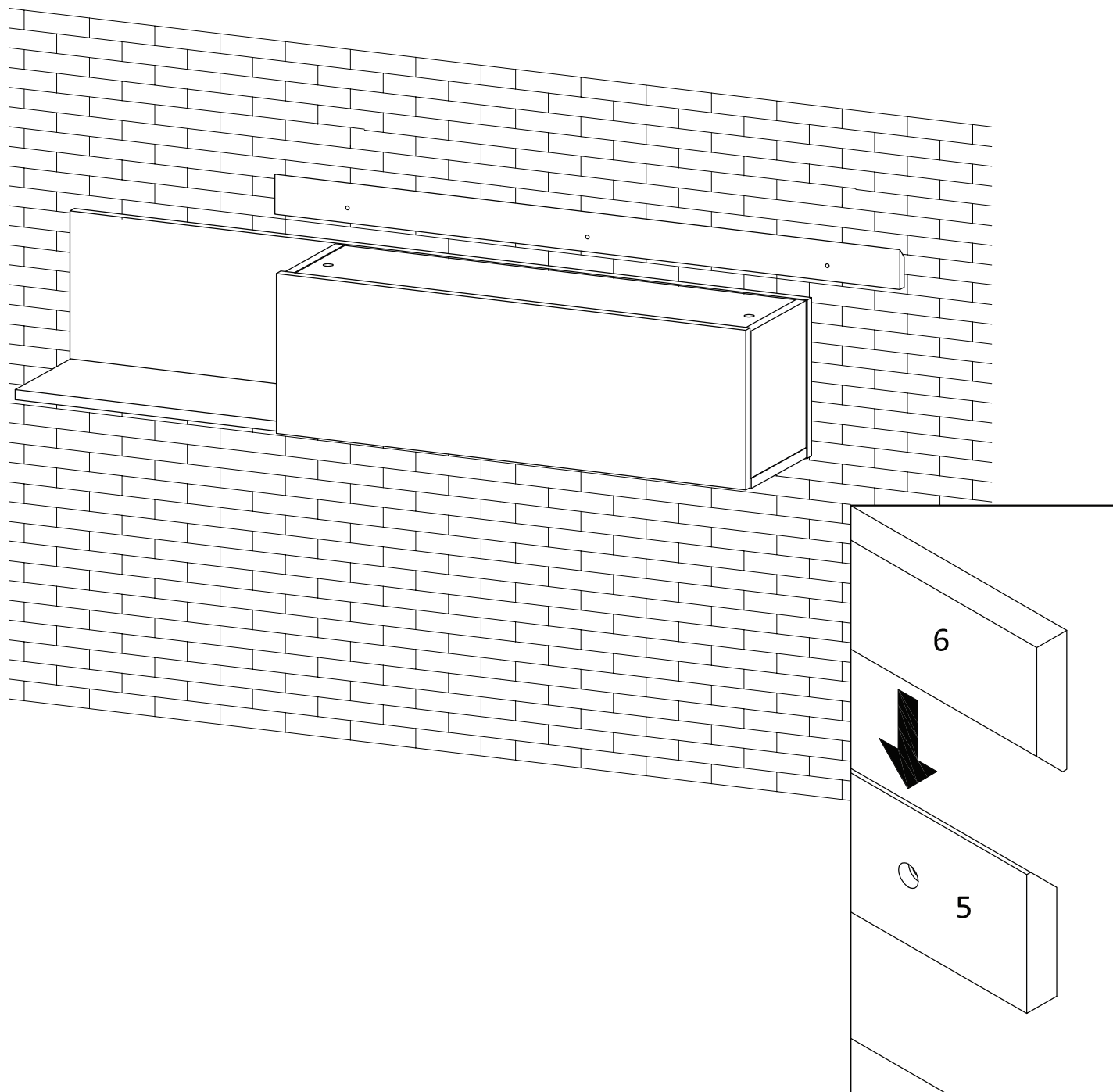
STEP 7:

			Hardware required. Screwdriver not included
Gx1	lx3	Ox1	

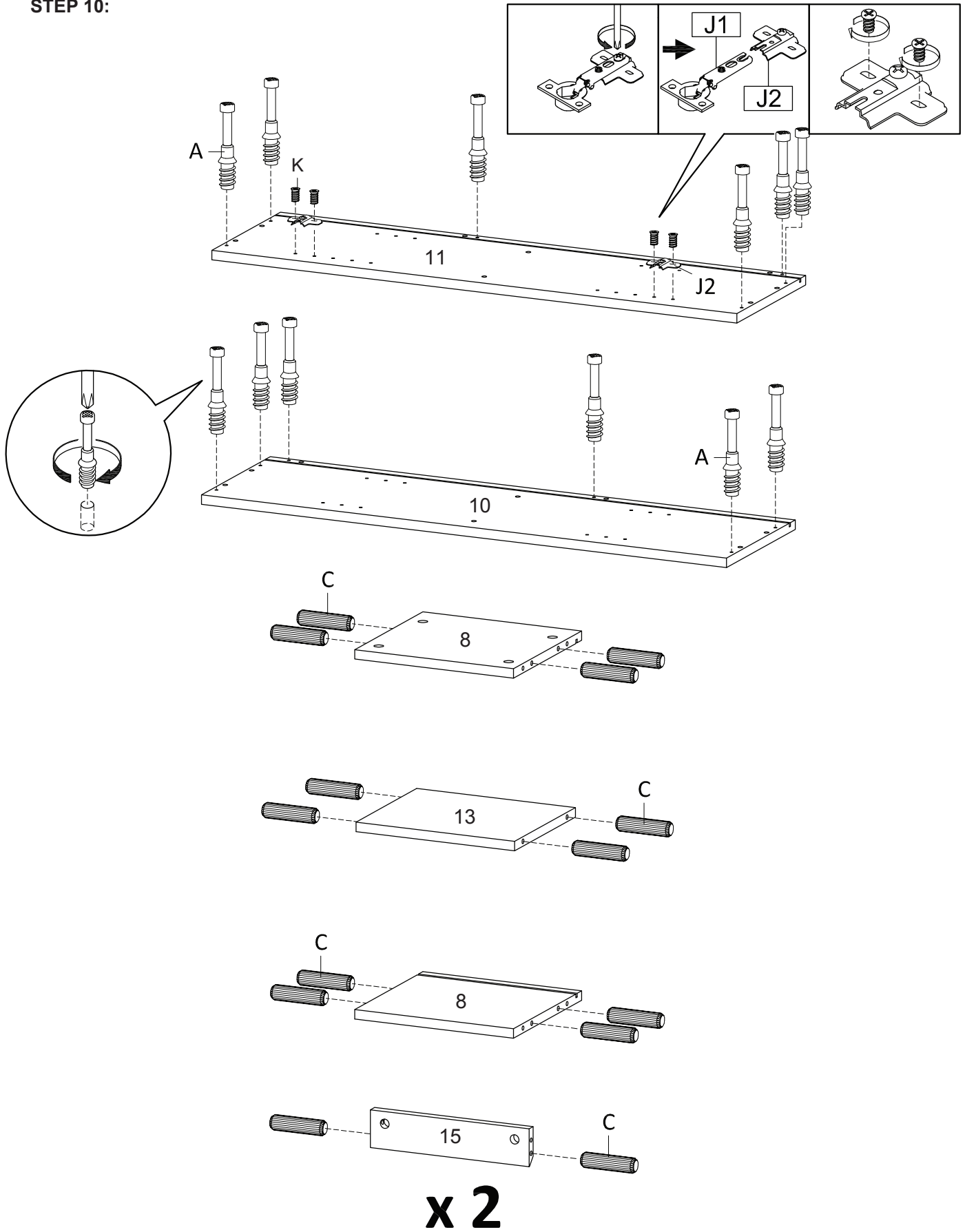
STEP 8:

			Hardware required. Screwdriver not included
Lx3	Mx3	Ox1	

STEP 9:



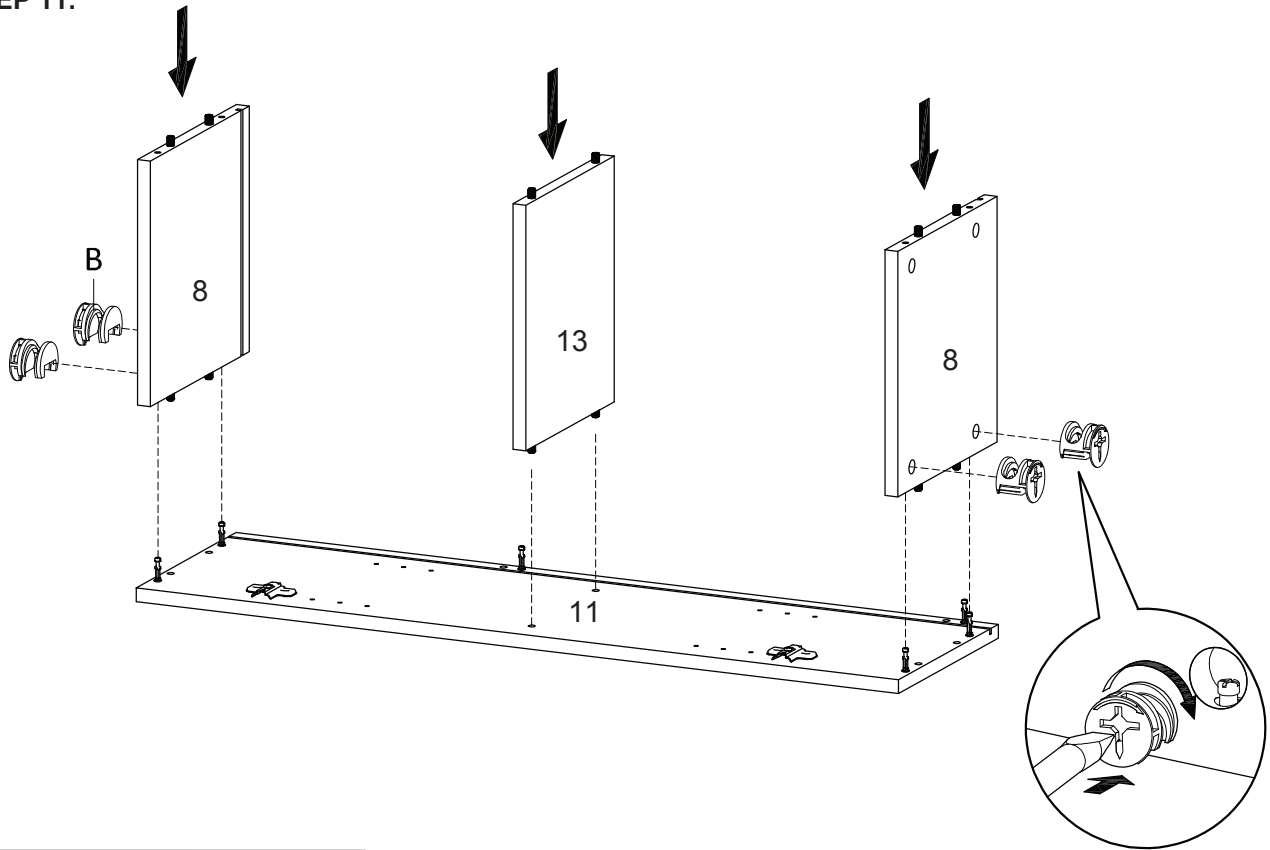
STEP 10:



Ax12	Cx16	Kx4	Jx2	Ox1

Hardware required.
Screwdriver not included

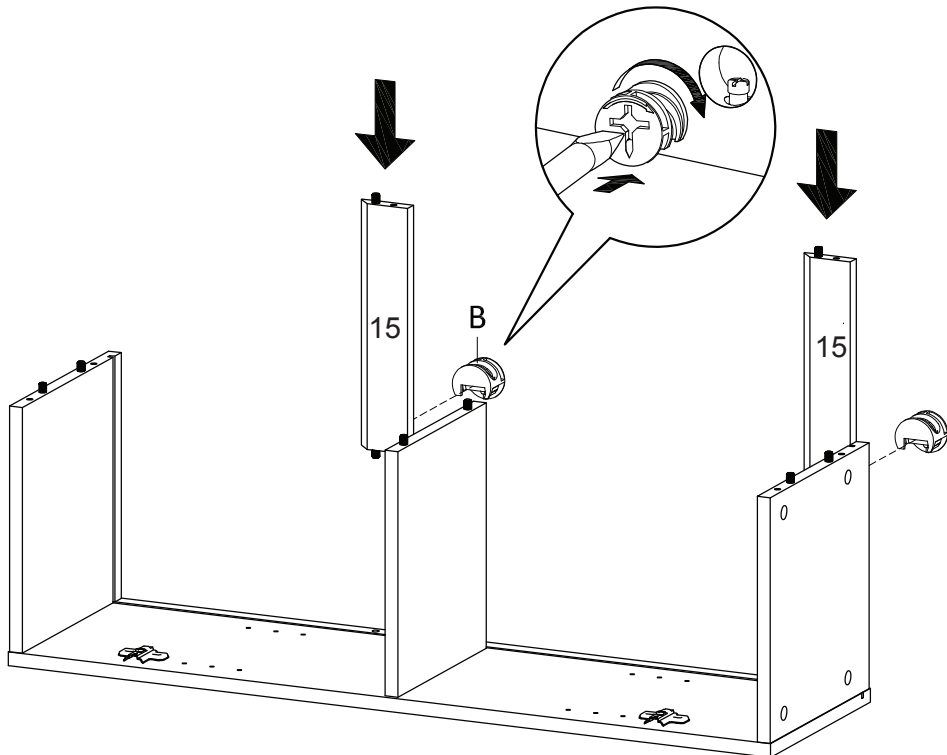
STEP 11:



Bx4	Ox1

Hardware required.
Screwdriver not included

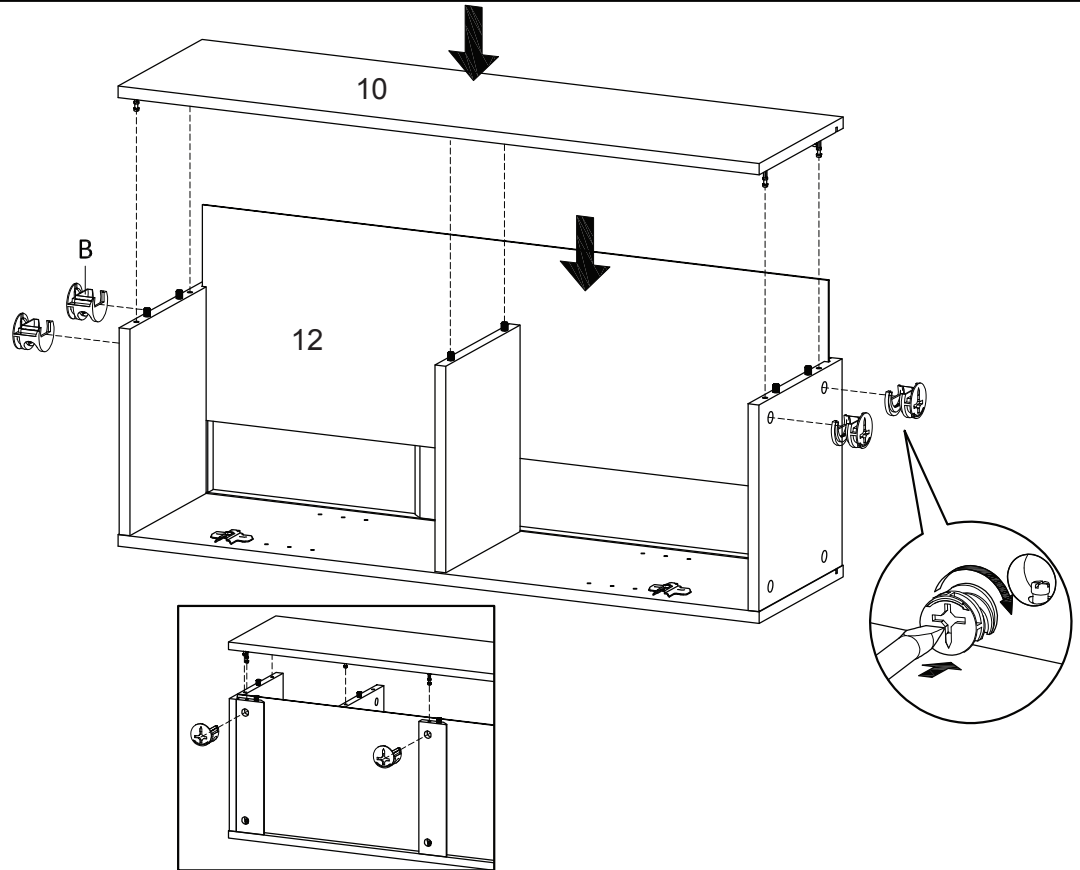
STEP 12:



Bx2	Ox1

Hardware required.
Screwdriver not included

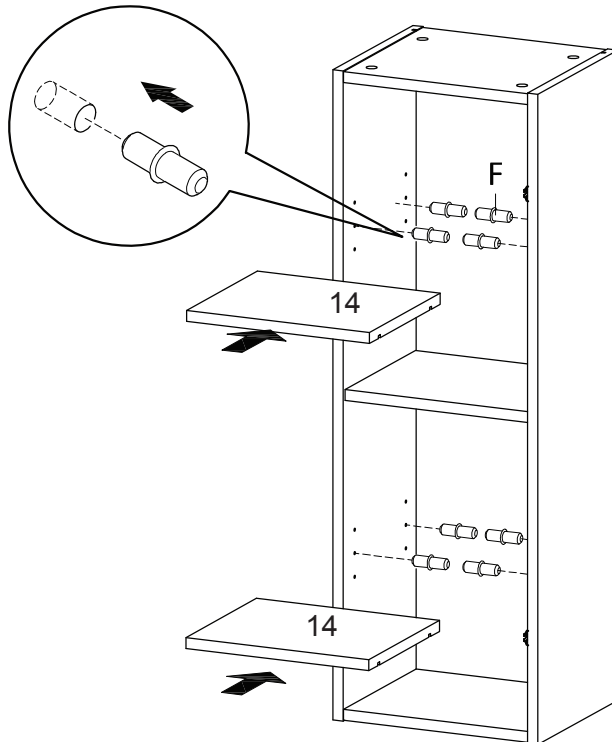
STEP 13:



Bx6	Ox1

Hardware required.
Screwdriver not included

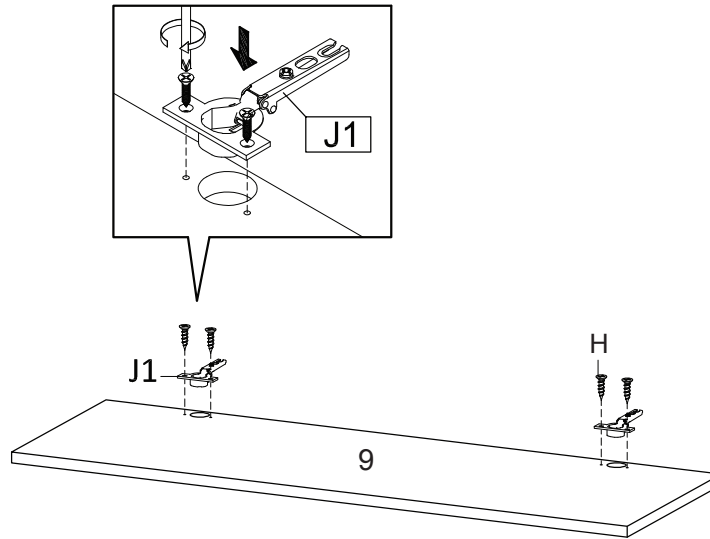
STEP 14:



Fx8

Hardware required.

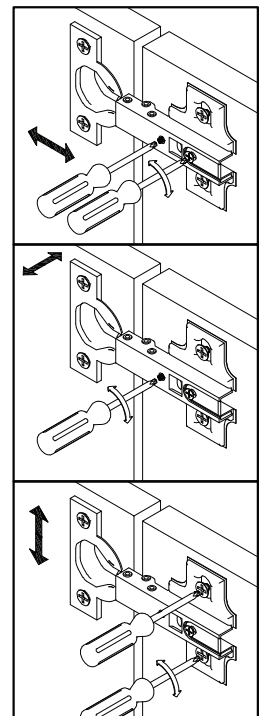
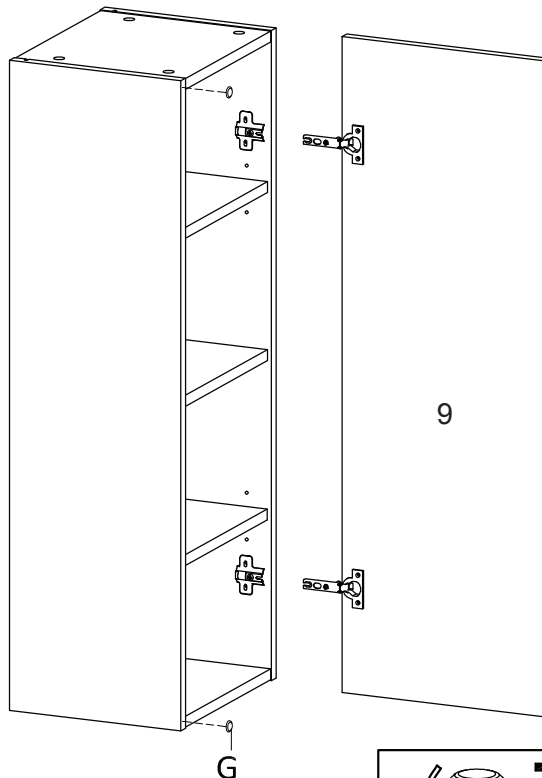
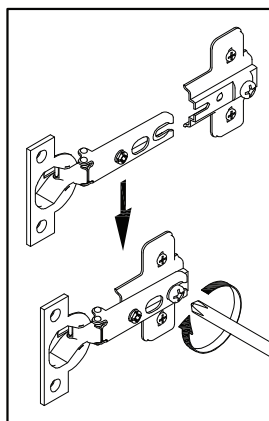
STEP 15:



Jx2	Hx4	Ox1

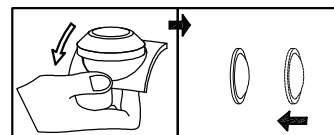
Hardware required.
Screwdriver not included

STEP 16:

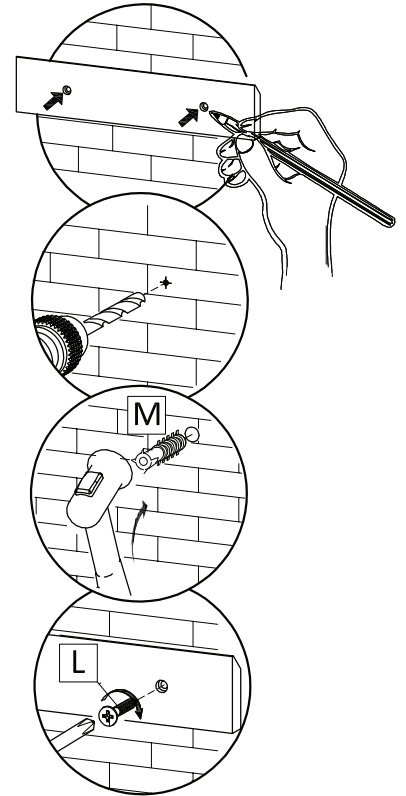
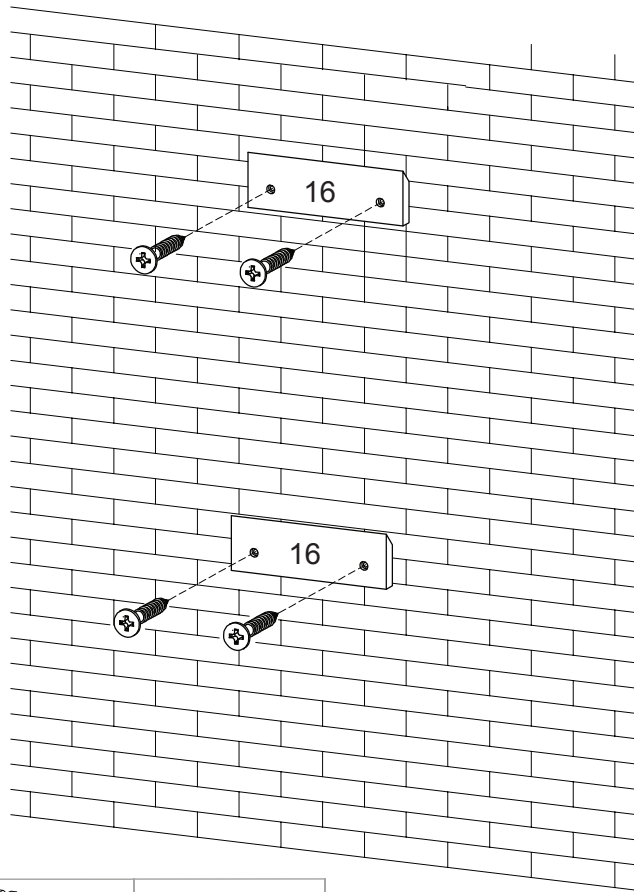


Gx2

Hardware required.



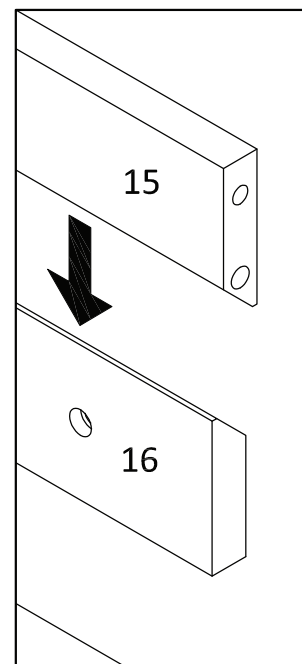
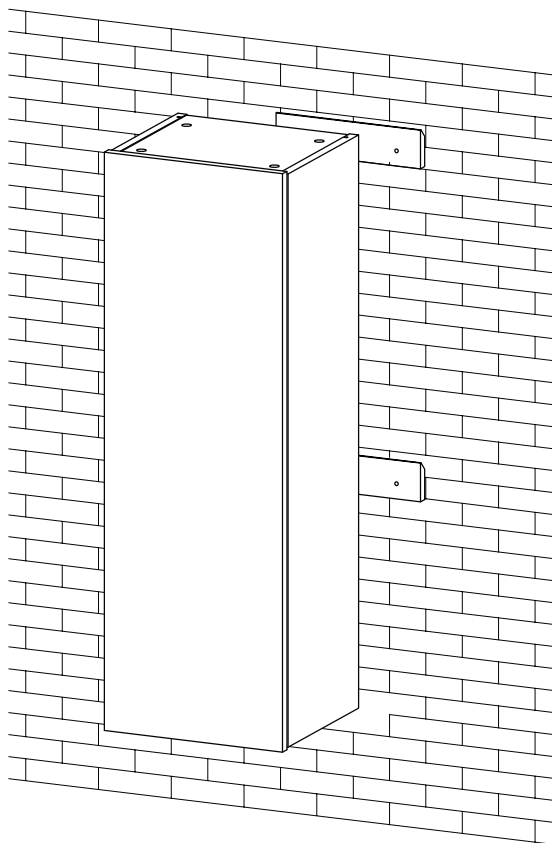
STEP 17:



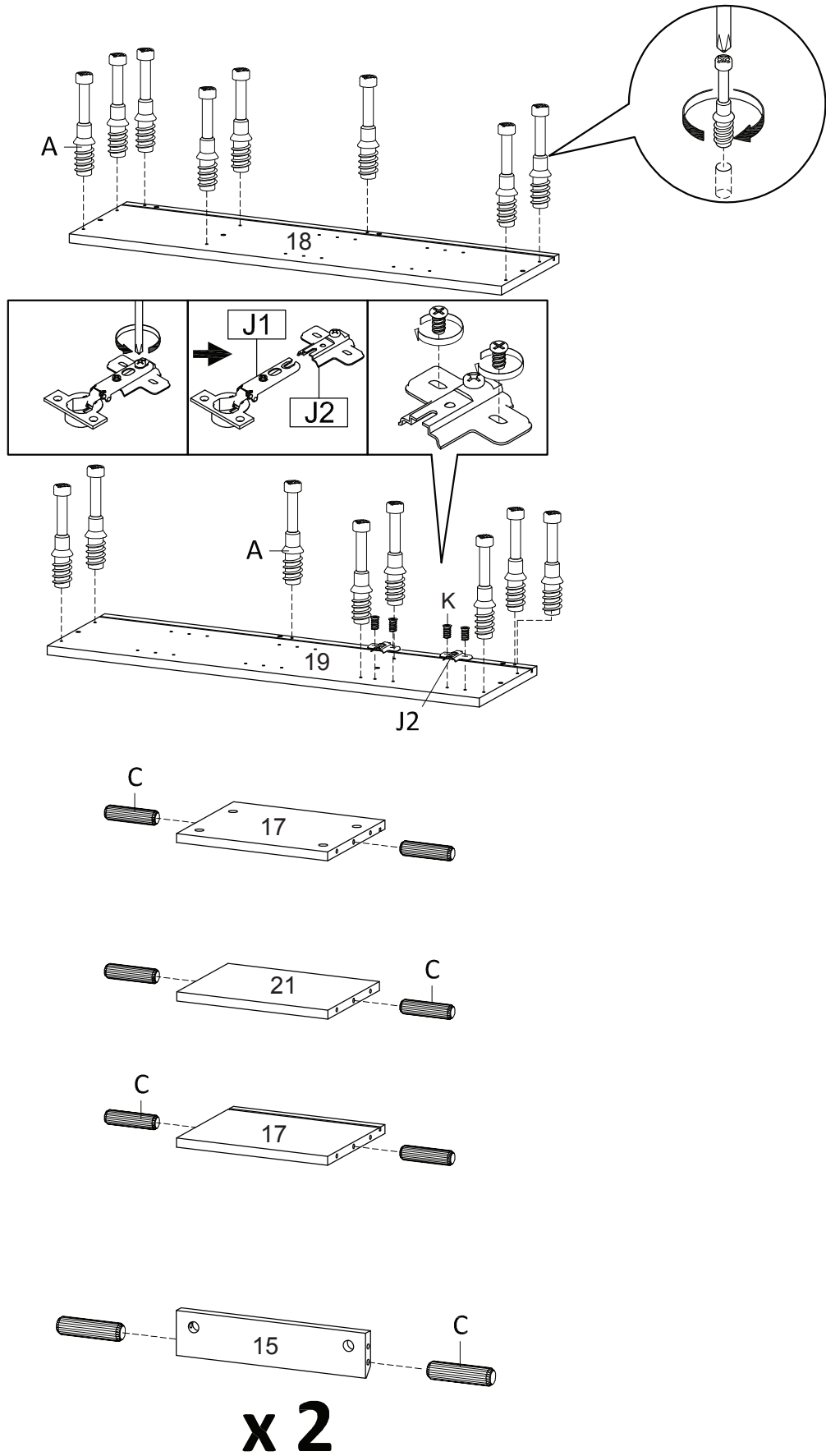
Lx4	Mx4	Ox1

Hardware required.
Screwdriver not included

STEP 18:



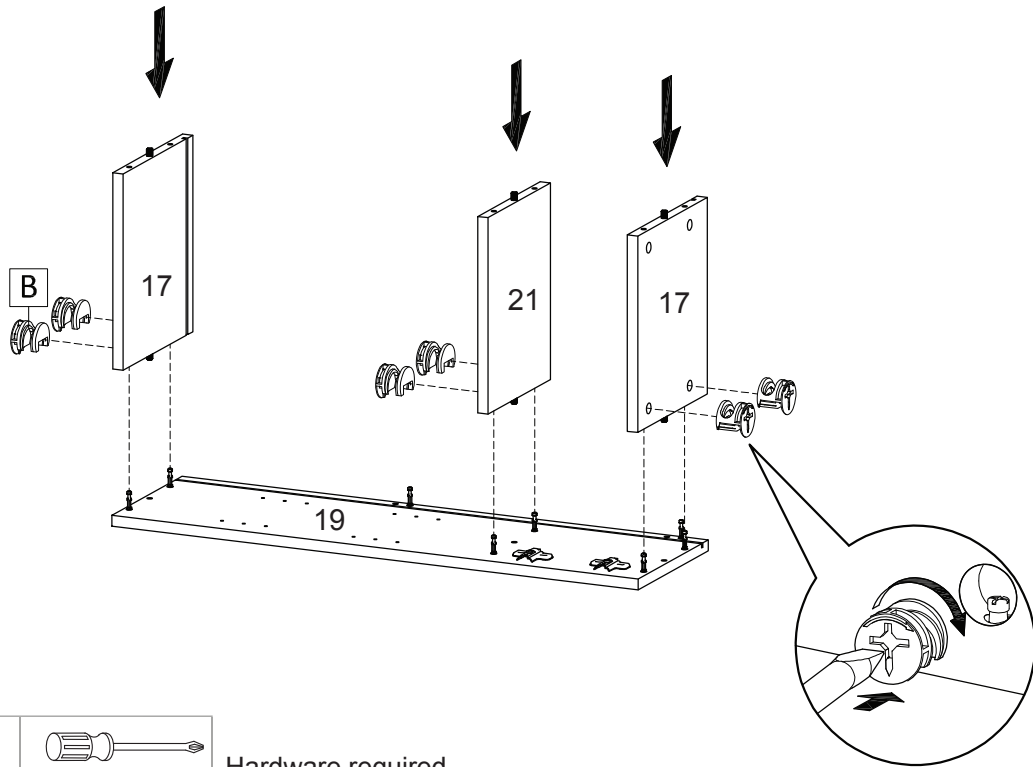
STEP 19:



				
Ax16	Cx10	Kx4	Jx2	Ox1

Hardware required.
Screwdriver not included

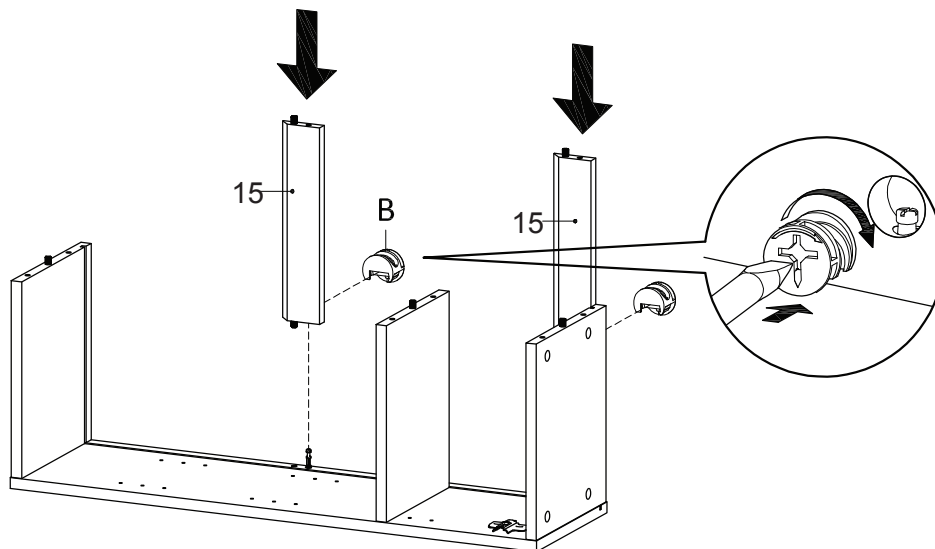
STEP 20:



Bx6	Ox1

Hardware required.
Screwdriver not included

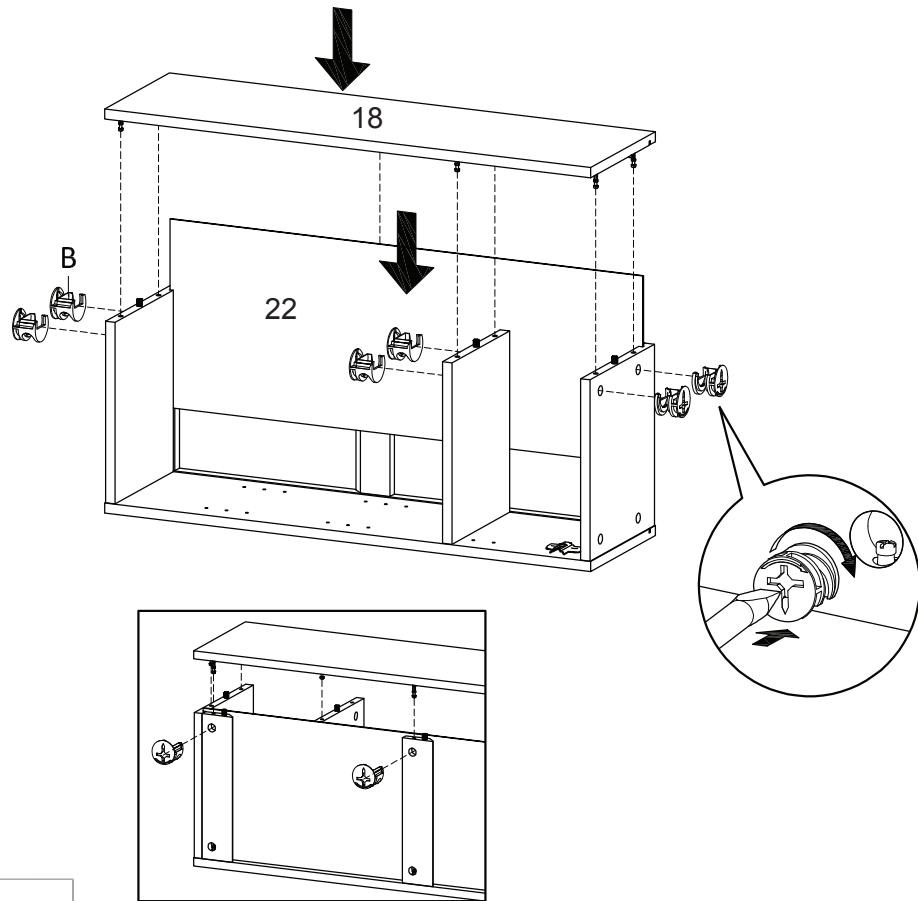
STEP 21:



Bx2	Ox1

Hardware required.
Screwdriver not included

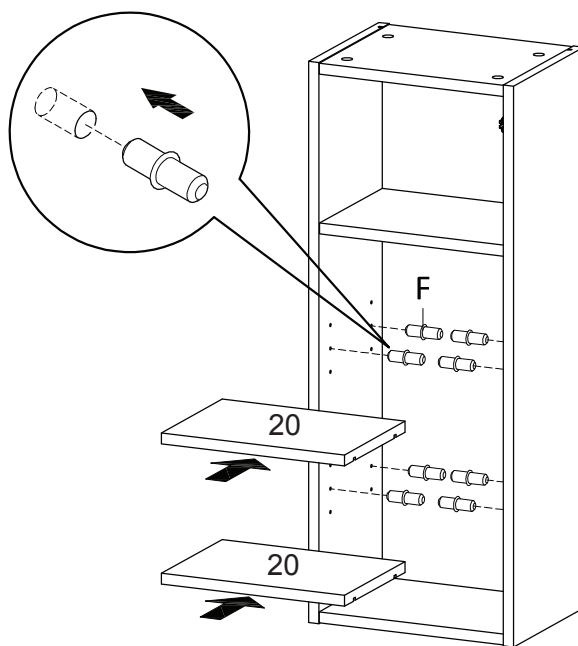
STEP 22:



Bx8	Ox1

Hardware required.
Screwdriver not included

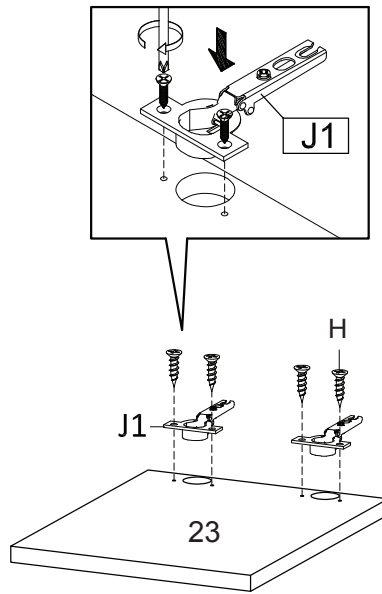
STEP 23:



Fx8

Hardware required.

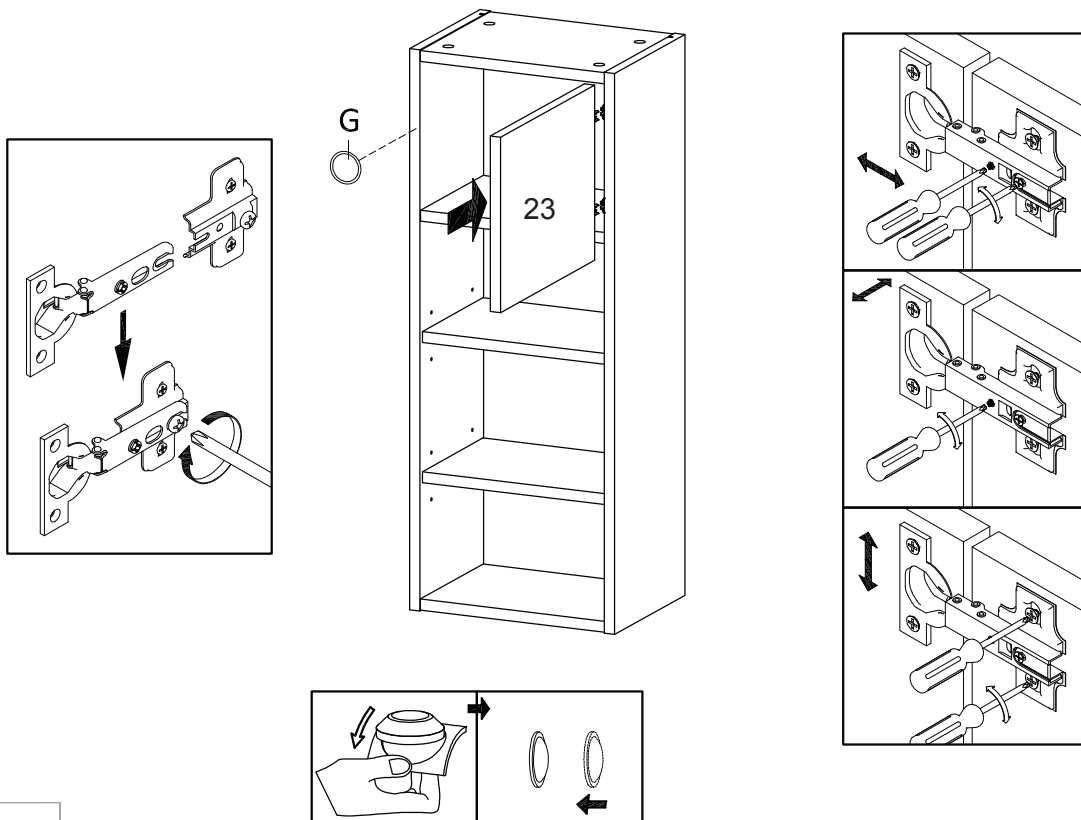
STEP 24:



Jx2	Hx4	Ox1

Hardware required.
Screwdriver not included

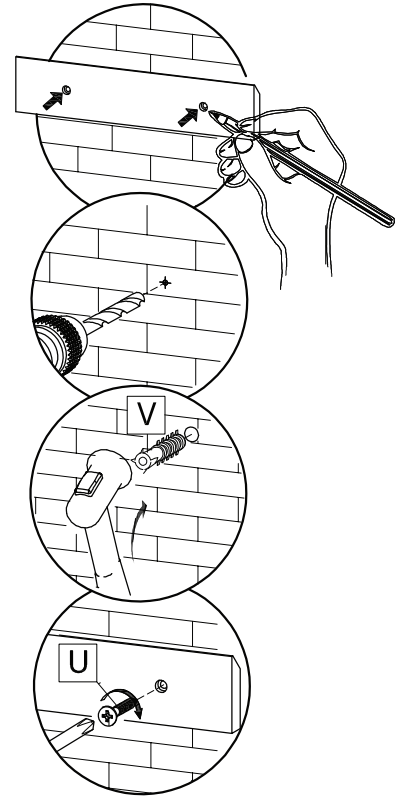
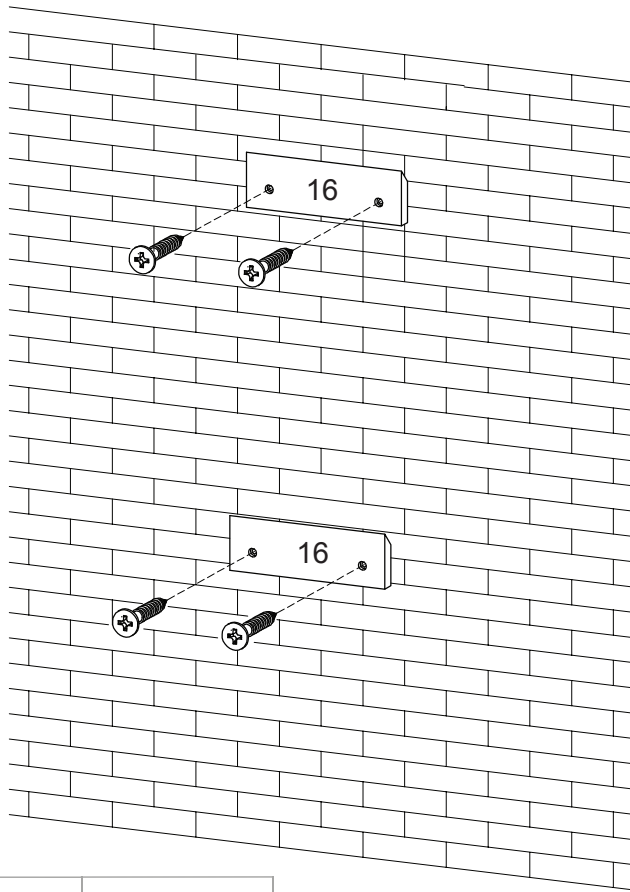
STEP 25:



Gx1

Hardware required.

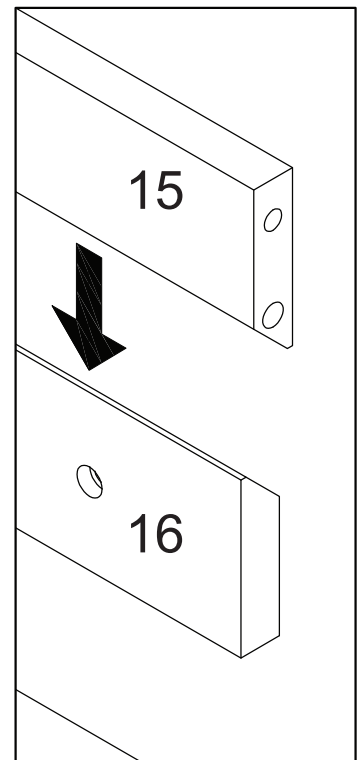
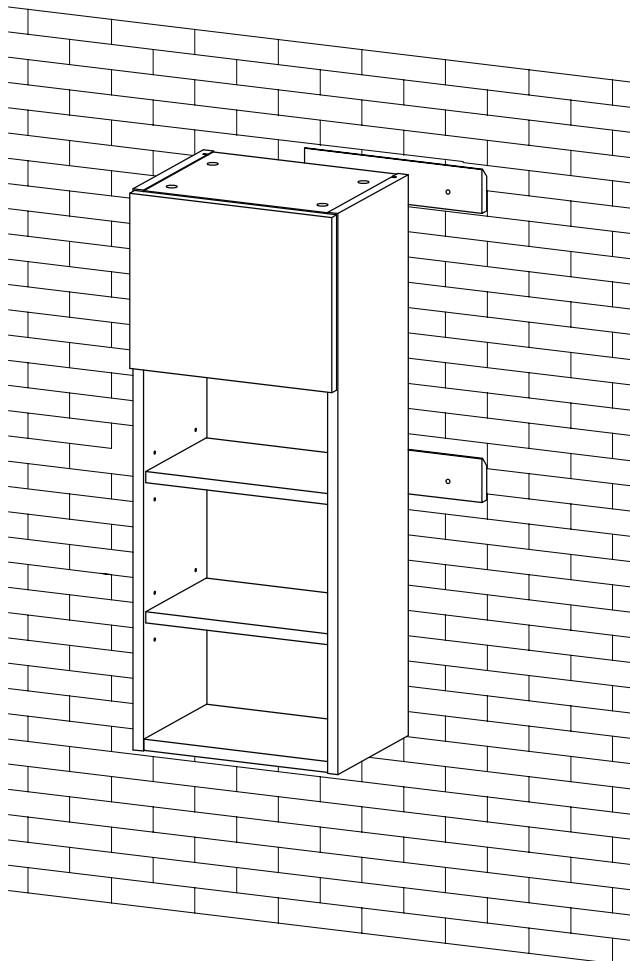
STEP 26:



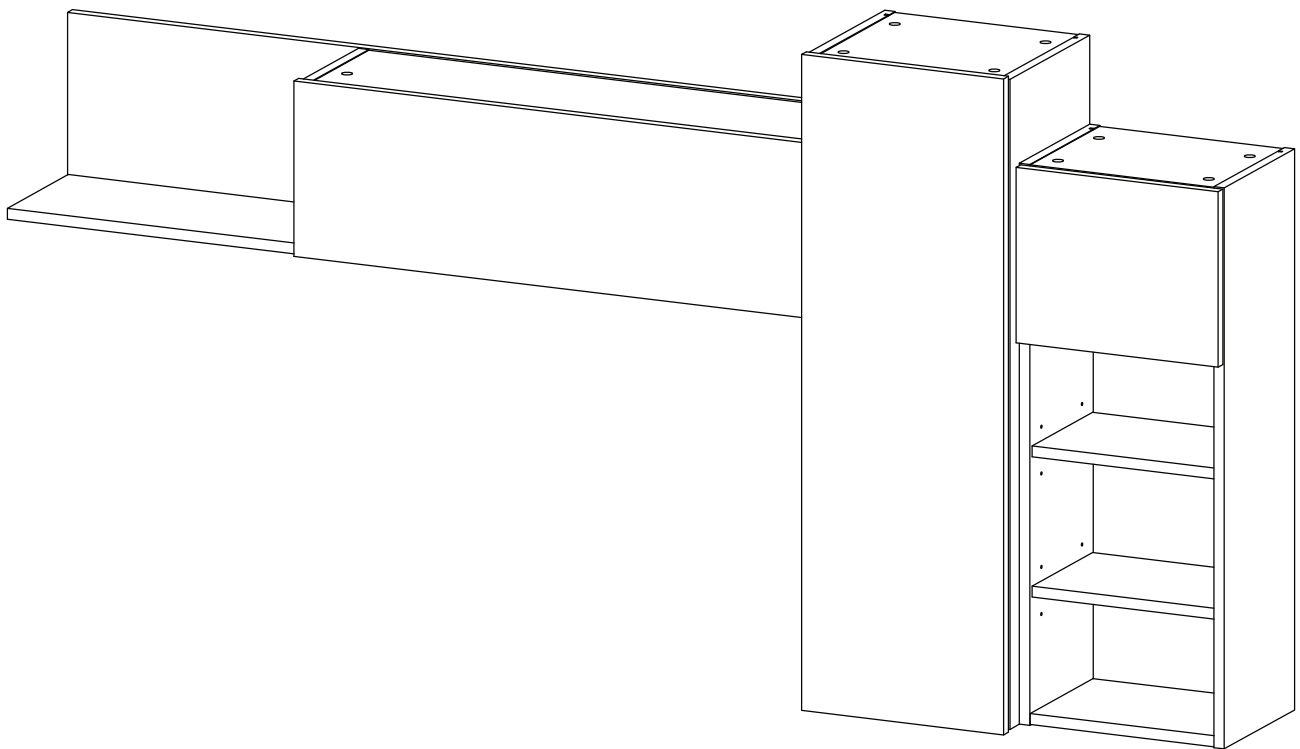
Lx4	Mx4	Ox1

Hardware required.
Screwdriver not included

STEP 27:



STEP 28:



Assembly is complete. The WALL UNIT is ready to enjoy now !

