

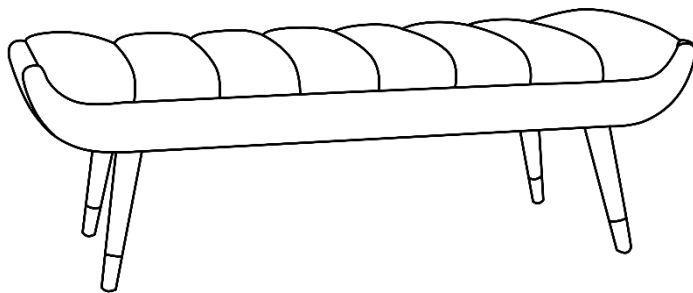
EEI-3484 BENCH







Thank you for purchasing the **MODWAY BENCH**.

Before you start, here are some helpful advice:

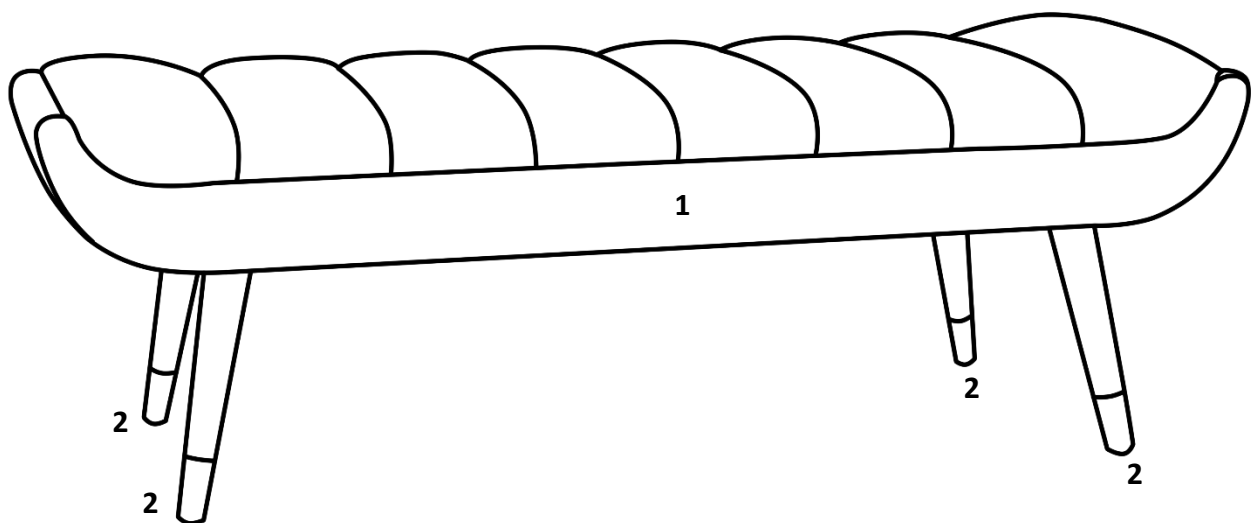
1. We suggest you spend a short time reading through this leaflet and then follow the simple step-by-step instructions.
2. Owing to the size and weight of the bench, we recommend that it is assembled by two adults, on a carpeted or padded area, in the room that it is intended for. Approximate assembly time: 30 minutes.
3. Please do not use any tools other than those provided or recommended in these instructions.
4. Please do not throw away any of the packaging or the instruction until you have checked all the components and hardware and the furniture is fully assembled. Please ensure that the packaging is disposed of in a safe and environmentally friendly way.
5. Assemble all components loosely until advised to tighten. Depending on use, it may be necessary to tighten the components from time to time, so please save the tools that have been provided.
6. Please keep all pieces out of reach of children.



Hardware:

- | | | | |
|----|---|------------------|----|
| A. |  | Bolt M8x65mm | x8 |
| B. |  | Spring Washer M8 | x8 |
| C. |  | Flat Washer M8 | x8 |
| D. |  | Allen Wrench | x1 |

Components:

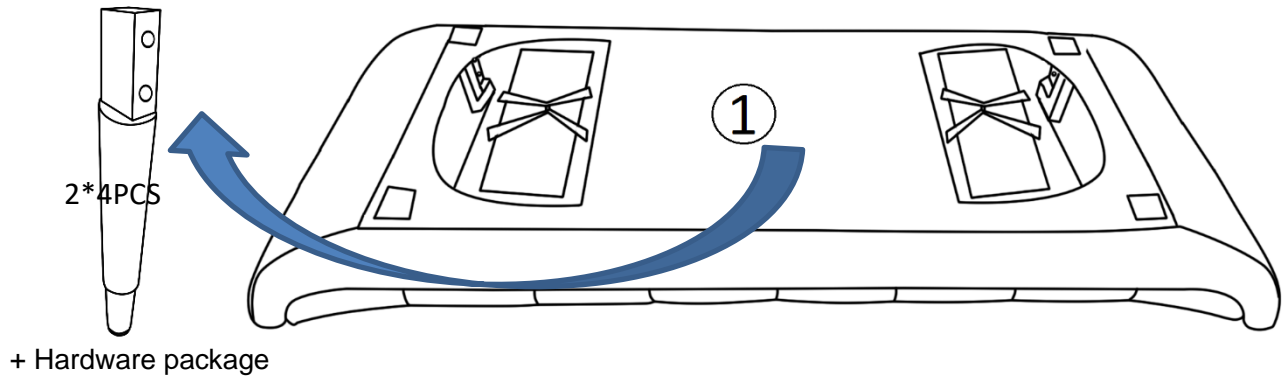


1. Bench Body x1

2. Leg x4

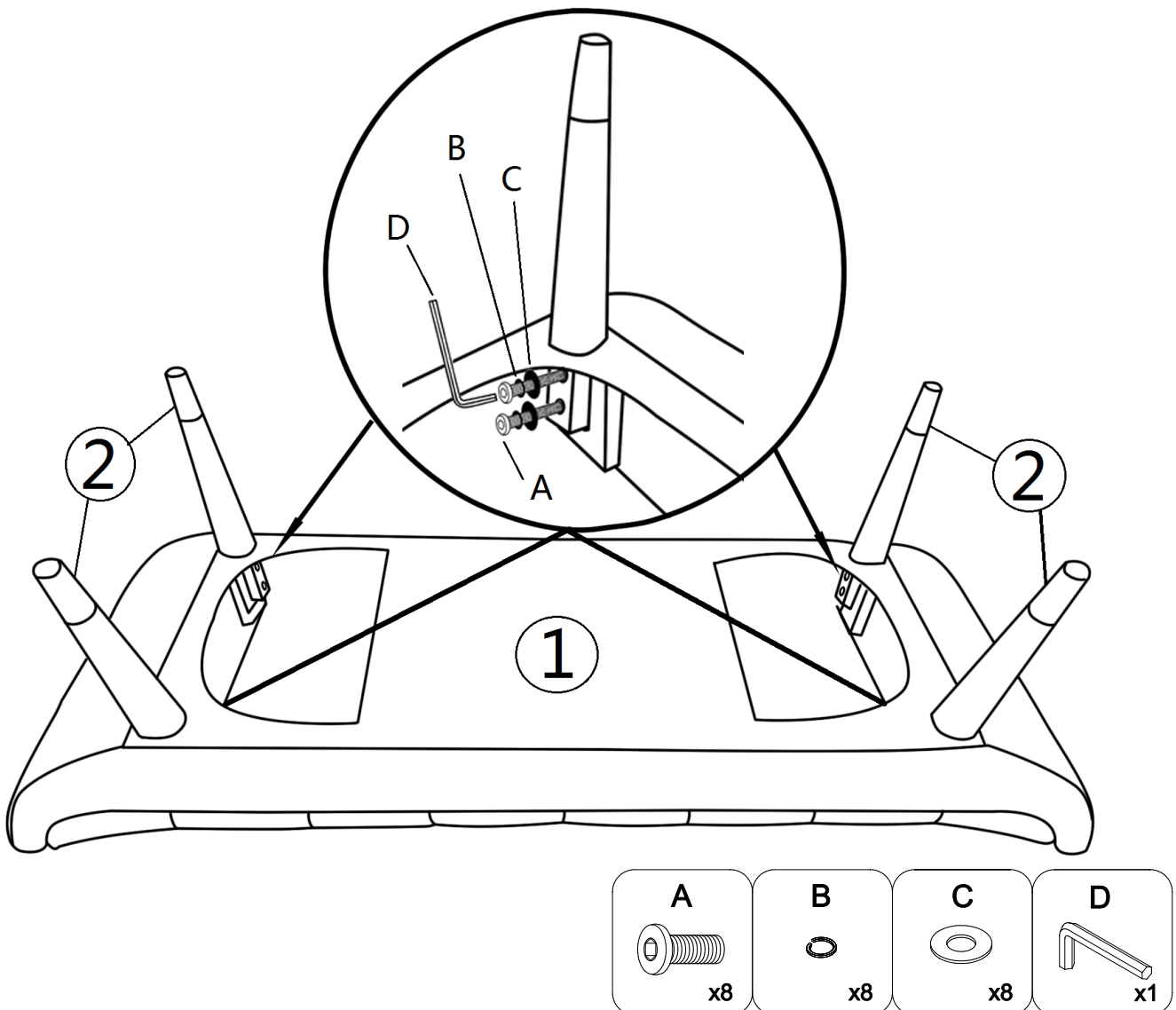
STEP 1:

1. Please put **Bench Body (1)** upside down on a carpeted or padded surface.
2. Open the zipper on the bottom of the **Bench Body (1)** and take out the 4 pieces of **Legs (2)** and hardware package.



STEP 2:

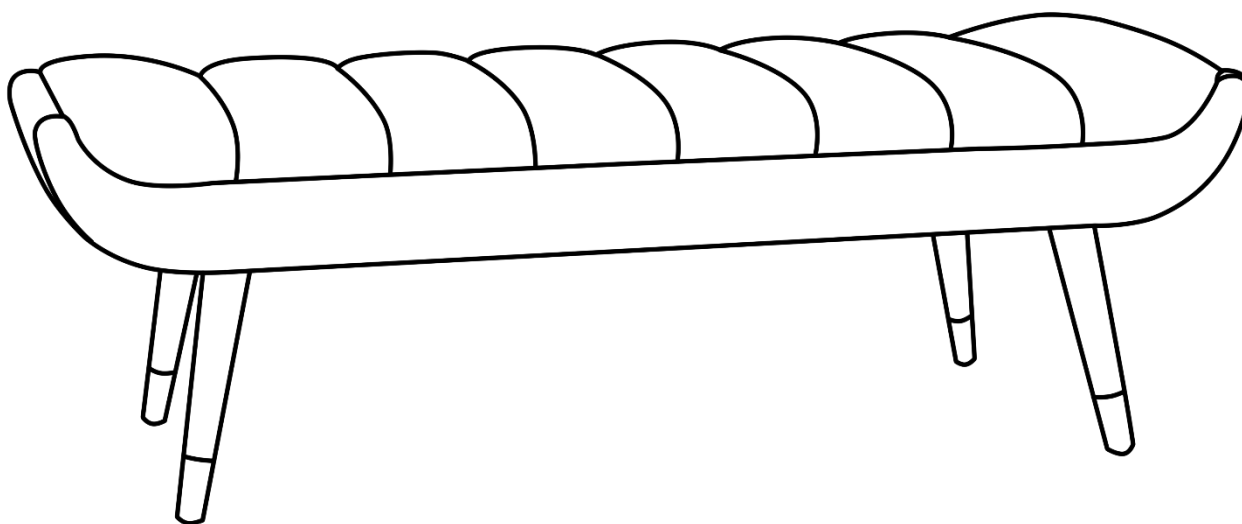
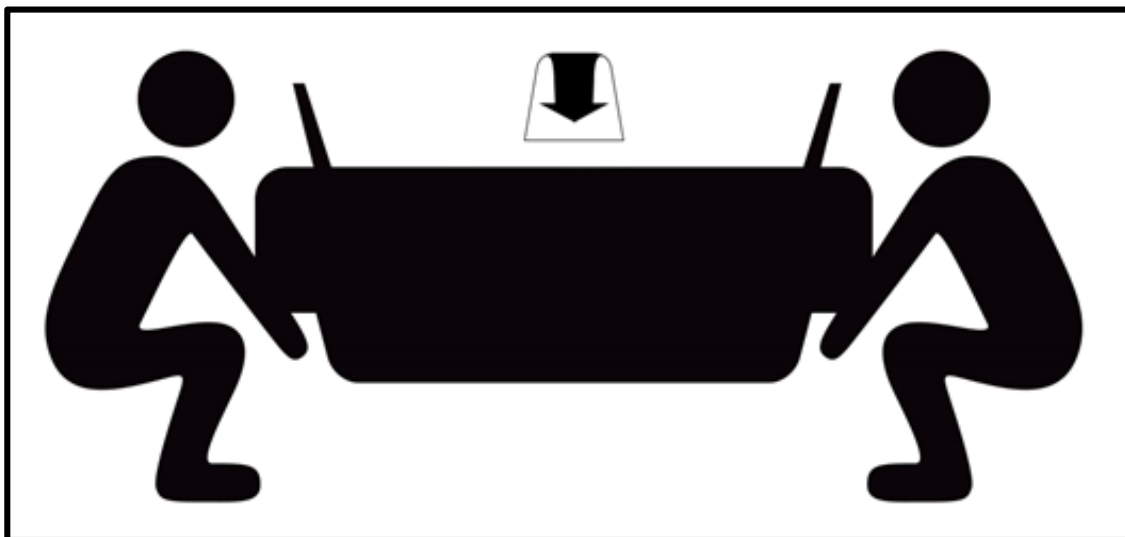
1. Attach 4 pieces of **Legs (2)** to the corner of **Bench Body (1)** by using 8 pieces of **Bolts (A)** with 8 pieces of **Spring Washers (B)** and 8 pieces of **Flat Washers (C)** as shown.
2. Use **Allen Wrench (D)** to tighten all **Bolts (A)** clockwise as shown.



Hardware & Tools Required

STEP 3:

1. Close the zipper on the bottom of the **Bench Body (1)**.
2. Carefully turn over the assembled Bench by two adults as shown to avoid leg crack.



Assembly is complete. Your Bench is ready to enjoy now!