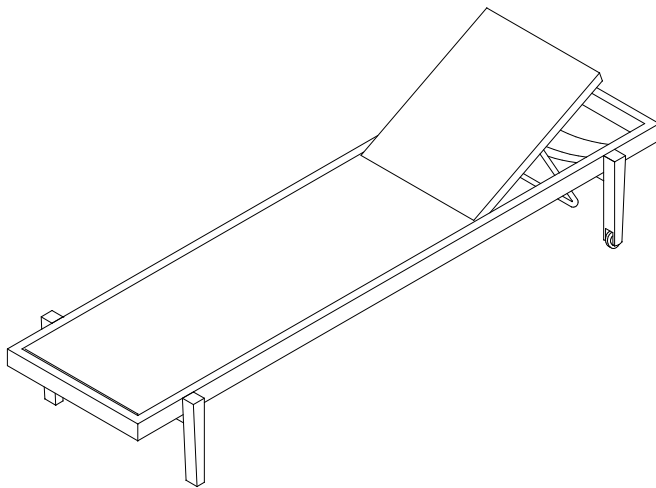


Thank you for purchasing the **MODWAY SUNBED**

Before you start, here are some helpful advice:

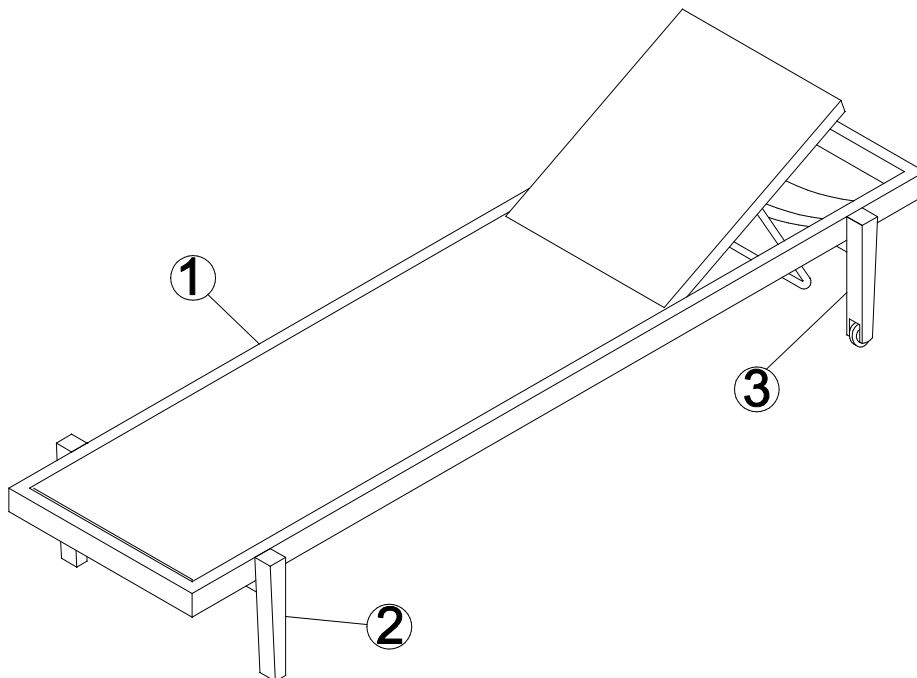
1. We suggest you spend a short time reading through this leaflet and then follow the simple step-by-step instructions.
2. Owing to the size and weight of the sunbed, we recommend that it is assembled by two adults, on a carpeted or padded area, in the room that it is intended for. Approximate assembly time: 30 minutes.
3. Please do not use any tools other than those provided or recommended in these instructions.
4. Please do not throw away any of the packaging or the instruction until you have checked all the components and hardware and the furniture is fully assembled. Please ensure that the packaging is disposed of in a safe and environmentally friendly way.
5. Assemble all components loosely until advised to tighten. Depending on use, it may be necessary to tighten the components from time to time, so please save the tools that have been provided.
6. Please keep all pieces out of reach of children.



Hardware:

- A. Bolt M6x40mm x4
- B. Bolt M6x50mm x4
- C. Flat Washer x8
- D. Allen Wrench M8 x1

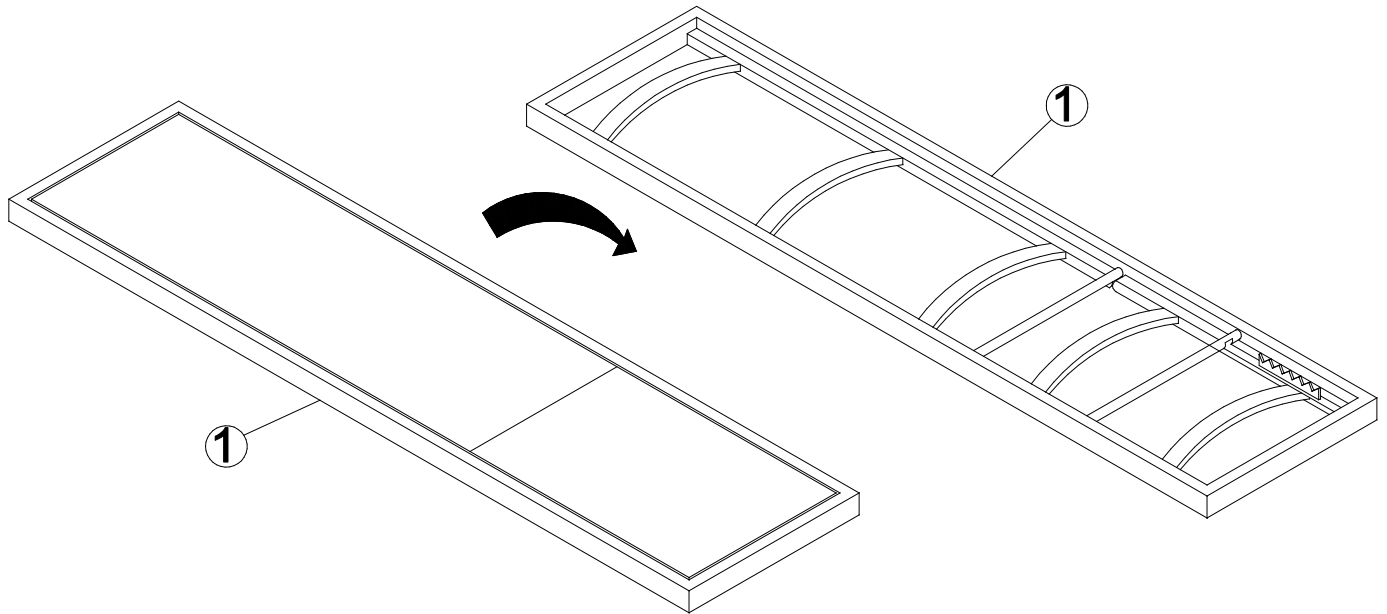
Components:



- 1. Body x1
- 2. Front Leg x1
- 3. Back Leg (with castor) x1

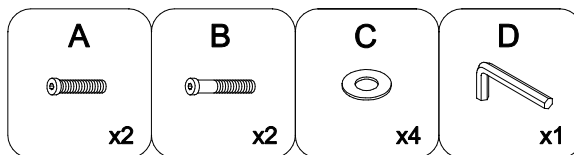
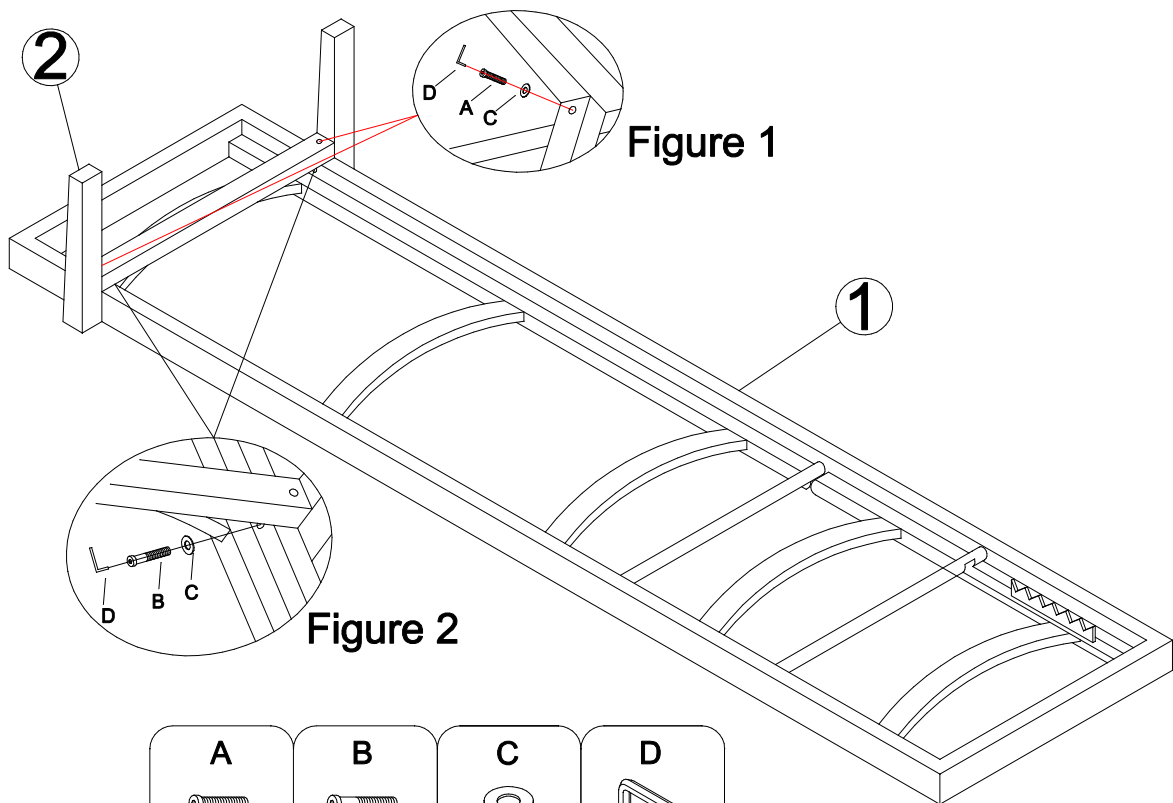
STEP 1:

Please put **Body (1)** upside down on a carpeted or padded surface by two adults.



STEP 2:

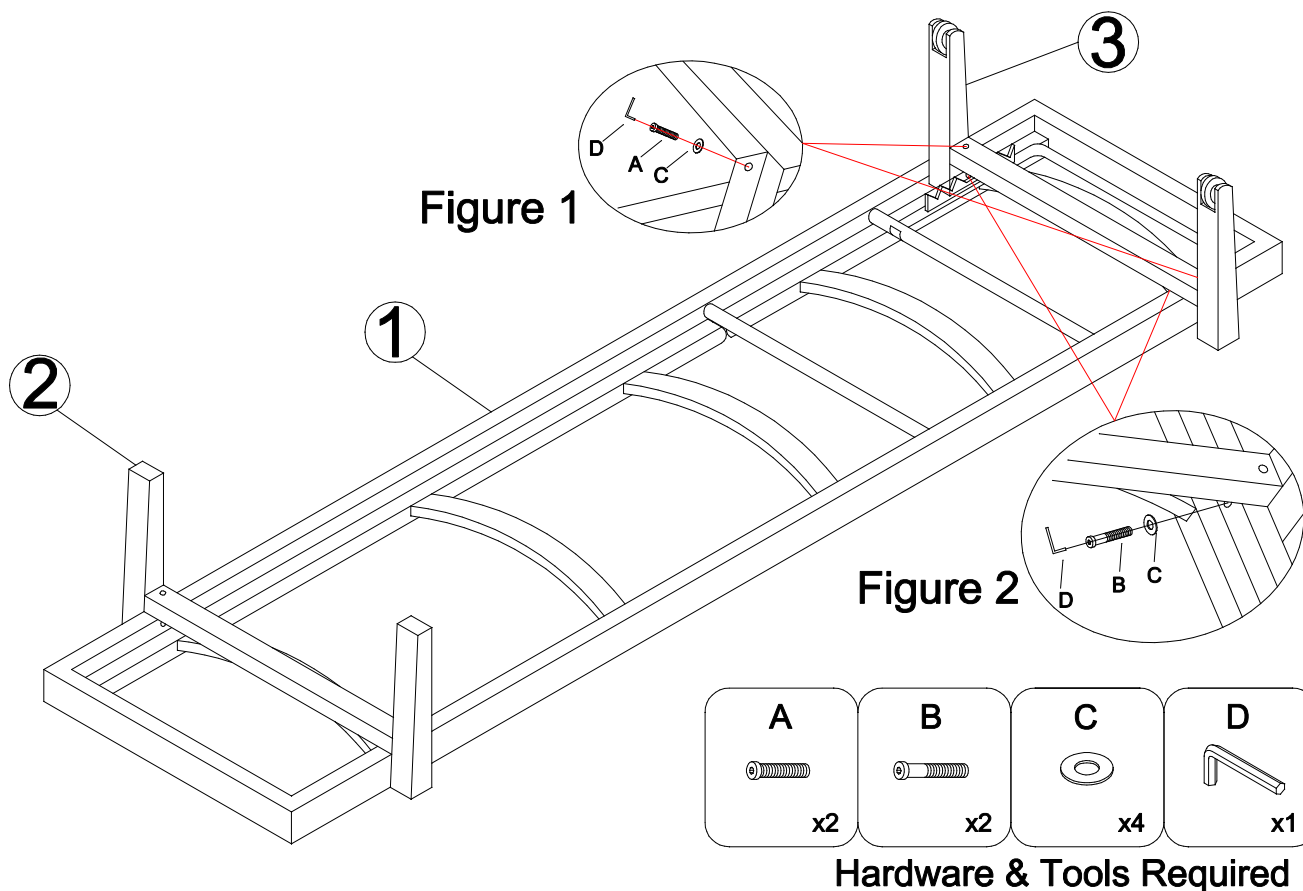
1. Attach **Front Leg (2)** to the **Body (1)** as shown.
2. Use **Allen Wrench (D)** to tighten 2 pieces of **Bolts (A)** and 2 pieces of **Flat Washers (C)** as shown with Figure 1. Don't fully tight **Bolts (A)**
3. Use **Allen Wrench (D)** to tighten 2 pieces of **Bolts (B)** and 2 pieces of **Flat Washers (C)** as shown with Figure 2. Don't fully tight **Bolts (B)**



Hardware & Tools Required

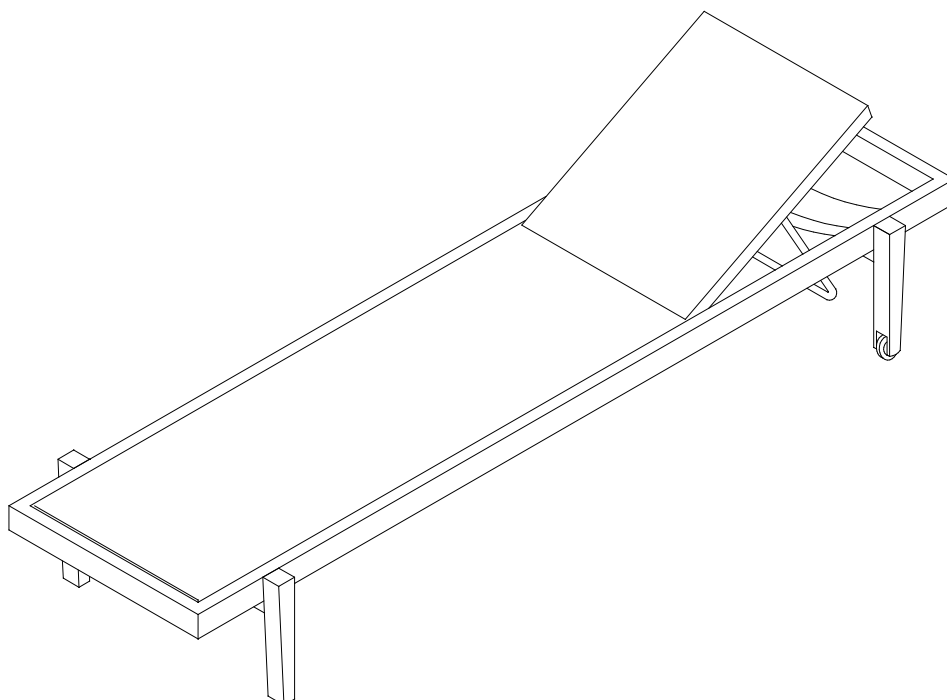
STEP 3:

1. Repeat the same step to assemble **Back Leg (3)** on the other side.
2. When all Legs are fixed, please fully tighten all **Bolts (A)** and **Bolts (B)**.



STEP 3:

Carefully turn over the assembled Sunbed by two adults.



Assembly is complete. The Sunbed is ready to enjoy now